

## D-SUB bus connector - SUBCON-PLUS F2 - 2799490

Please be informed that the data shown in this PDF Document is generated from our Online Catalog. Please find the complete data in the user's documentation. Our General Terms of Use for Downloads are valid (<http://download.phoenixcontact.com>)



D-SUB connector, 9-pos. female connector, two cable entries < 35°, bus system: CAN, SUCONET K1, K2 (MOELLER), S-BUS (Saia), J-BUS (Merlin Gerin), pin assignment: 2, 3, 4, 5, 7, 9 to two screw connection terminal blocks

The illustration shows version SUBCON-PLUS M 2

### Product Features

- Separate terminal blocks for each cable
- Easy assembly thanks to knurled screws
- For universal use
- Assembly under field conditions
- High level of EMC
- Flexibility in terms of cable entry selection
- High transmission speed

### RS-485

#### Key commercial data

package_quantity	1
GTIN	4017918156305

#### Technical data

##### Dimensions

Max. cable diameter	10 mm
Min. cable diameter	6 mm
Width	16 mm
Height	44 mm
Length	60 mm

##### Ambient conditions

Ambient temperature (operation)	-20 °C ... 75 °C
Ambient temperature (storage/transport)	-25 °C ... 80 °C
Altitude	5000 m (For restrictions see manufacturer's declaration)

##### General

Nominal voltage $U_N$	50 V
Nominal current $I_N$	100 mA

# D-SUB bus connector - SUBCON-PLUS F2 - 2799490

## Technical data

### General

<b>Bus system</b>	CAN, SUCONET K1, K2 (Moeller), S-BUS (Saia), J-BUS (Merlin Gerin)
<b>Signal</b>	RS-485
<b>Insertion/withdrawal cycles</b>	> 200
<b>SUBCON fixing screws</b>	4-40 UNC
<b>Tightening torque</b>	0.4 Nm
<b>Housing material</b>	ABS, metal-plated
<b>Pin assignment</b>	2,3,4,5,7,9 on two terminal blocks

### Connection data

<b>Connection</b>	D-SUB connection
<b>Number of positions</b>	9
<b>Connection method</b>	D-SUB socket
<b>Tightening torque</b>	0.4 Nm
<b>Connection</b>	PCB connection
<b>Connection method</b>	Screw connection
<b>Conductor cross section stranded min.</b>	0.14 mm <sup>2</sup>
<b>Conductor cross section stranded max.</b>	1 mm <sup>2</sup>
<b>Conductor cross section solid min.</b>	0.14 mm <sup>2</sup>
<b>Conductor cross section solid max.</b>	1.5 mm <sup>2</sup>
<b>Min. AWG conductor cross section, stranded</b>	26
<b>Max. AWG conductor cross section, stranded</b>	18
<b>Conductor cross section AWG/kcmil min.</b>	26
<b>Conductor cross section AWG/kcmil max</b>	16
<b>Stripping length</b>	5 mm
<b>Tightening torque</b>	0.4 Nm

## classifications

### eCl@ss

<b>eCl@ss 4.0</b>	27140816
<b>eCl@ss 4.1</b>	27140816
<b>eCl@ss 5.0</b>	27143424
<b>eCl@ss 5.1</b>	27143424
<b>eCl@ss 6.0</b>	27143424
<b>eCl@ss 7.0</b>	27440209
<b>eCl@ss 8.0</b>	27440209

### ETIM

<b>ETIM 2.0</b>	EC001132
<b>ETIM 3.0</b>	EC001132
<b>ETIM 4.0</b>	EC001132
<b>ETIM 5.0</b>	EC001132

# D-SUB bus connector - SUBCON-PLUS F2 - 2799490

## classifications

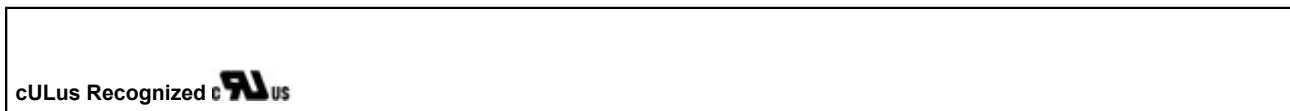
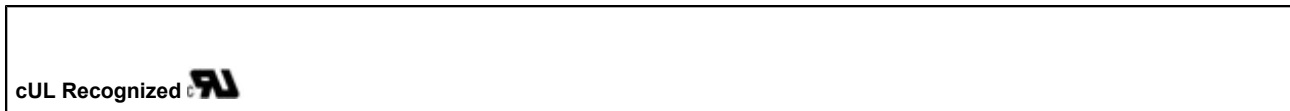
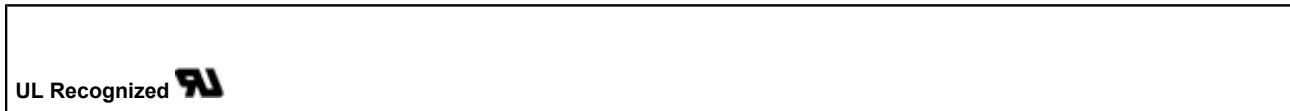
### UNSPSC

UNSPSC 6.01	30211802
UNSPSC 7.0901	39121402
UNSPSC 11	39121402
UNSPSC 12.01	39121402
UNSPSC 13.2	39121402

## approvals

UL Recognized / cUL Recognized / GOST / cULus Recognized /

### Approval details



## accessories

### Mounting material

SUBCON-SHORT-SCREW - 2799694



### Screwdriver tools

## D-SUB bus connector - SUBCON-PLUS F2 - 2799490

### accessories

SZF 0-0,4X2,5 - 1204504



---

### Data plug

VS-09-GC-ST/ST - 1652651

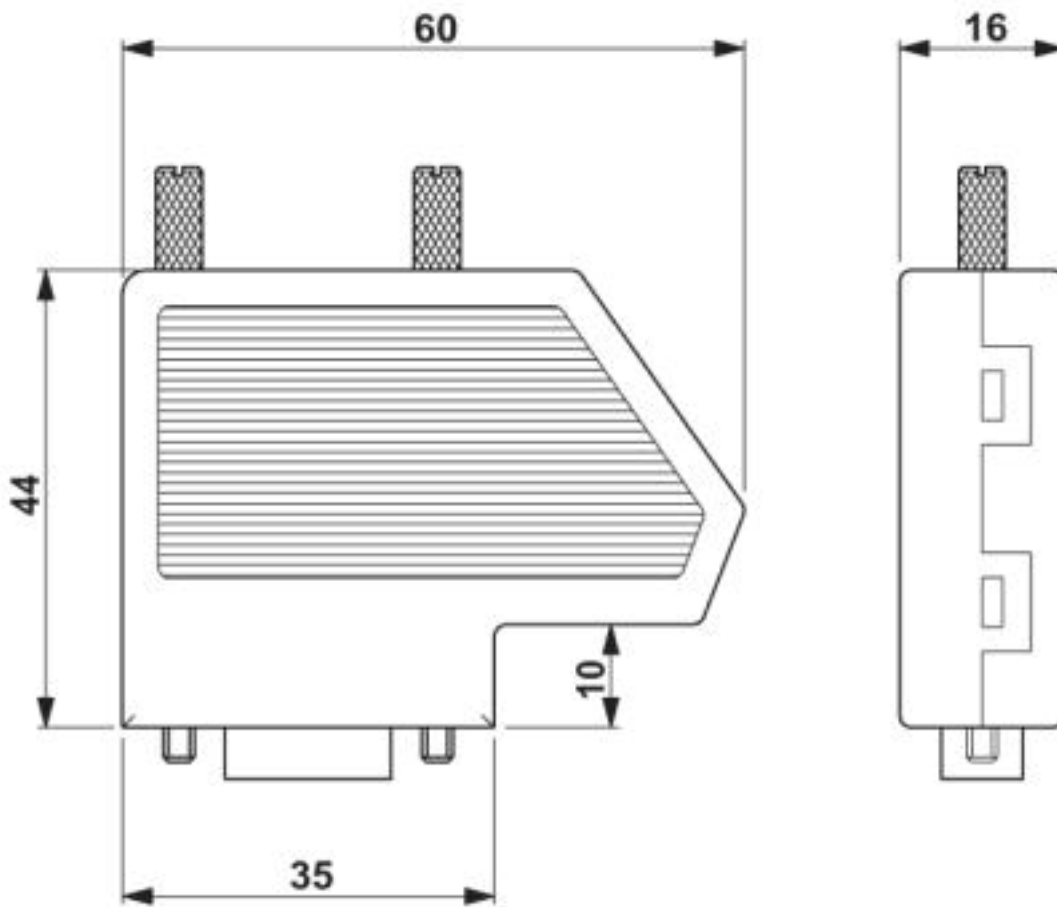


---

### Drawings

# D-SUB bus connector - SUBCON-PLUS F2 - 2799490

Dimensioned drawing



© Phoenix Contact 2013 - all rights reserved  
<http://www.phoenixcontact.com>