

Feed-through terminal block - UKH 50 - 3009118

Please be informed that the data shown in this PDF Document is generated from our Online Catalog. Please find the complete data in the user's documentation. Our General Terms of Use for Downloads are valid (<http://download.phoenixcontact.com>)



Feed-through terminal block, Connection method: Screw connection, Cross section: 16 mm² - 70 mm², AWG: 6 - 2/0, Width: 20 mm, Height: 75.8 mm, Color: gray, Mounting type: NS 35/15, NS 32

Product Features

- Reliable cable connection is ensured by three-point centering of the conductor in the prismatic sleeve base
- Low contact resistance of the contact surface due to ribbing
- Screw locking by means of spring-loaded elements in the clamping part



Key commercial data

package_quantity	10
GTIN	4017918091644

Technical data

General

Number of levels	1
Number of connections	2
Color	gray
Insulating material	PA
Inflammability class according to UL 94	V0

General

Maximum load current	150 A (with 50 mm ² conductor cross section)
Rated surge voltage	8 kV
Pollution degree	3
Surge voltage category	III
Insulating material group	I
Connection in acc. with standard	IEC 60947-7-1
Nominal current I _N	150 A
Nominal voltage U _N	1000 V
Open side panel	nein
Shock protection test specification	DIN EN 50274 (VDE 0660-514):2002-11
Back of the hand protection	guaranteed

Feed-through terminal block - UKH 50 - 3009118

Technical data

General

Finger protection	guaranteed
Surge voltage test setpoint	9.8 kV
Result of surge voltage test	Test passed
Power frequency withstand voltage setpoint	2.2 kV
Result of power-frequency withstand voltage test	Test passed
Checking the mechanical stability of terminal points (5 x conductor connection)	Test passed
Bending test rotation speed	10 rpm
Bending test turns	135
Bending test conductor cross section/weight	16 mm ² / 2.9 kg
Bending test conductor cross section/weight	50 mm ² / 9.5 kg
Result of bending test	Test passed
Conductor cross section tensile test	16 mm ²
Tractive force setpoint	100 N
Conductor cross section tensile test	50 mm ²
Tractive force setpoint	236 N
Tensile test result	Test passed
Tight fit on carrier	NS 32/NS 35
Setpoint	10 N
Result of tight fit test	Test passed
Requirements, voltage drop	≤ 3.2 mV
Result of voltage drop test	Test passed
Temperature-rise test	Test passed
Conductor cross section short circuit testing	50 mm ²
Short-time current	6 kA
Short circuit stability result	Test passed
Proof of thermal characteristics (needle flame) effective duration	30 s
Result of thermal test	Test passed
Temperature index, insulating material (DIN EN 60216-1 (VDE 0304-21))	130 °C
Static insulating material application in cold	-60 °C

Dimensions

Width	20 mm
Length	75.5 mm
Height	75.8 mm
Height NS 35/15	83.5 mm
Height NS 32	81.5 mm

Connection data

Note	Note: Product releases, connection cross sections and notes on connecting aluminum cables can be found in the download area.
Conductor cross section solid min.	16 mm ²

Feed-through terminal block - UKH 50 - 3009118

Technical data

Connection data

Conductor cross section solid max.	70 mm ²
Conductor cross section AWG/kcmil min.	6
Conductor cross section AWG/kcmil max	2/0
Conductor cross section stranded min.	25 mm ²
Conductor cross section stranded max.	70 mm ²
Min. AWG conductor cross section, stranded	3
Max. AWG conductor cross section, stranded	2/0
Conductor cross section stranded, with ferrule without plastic sleeve min.	25 mm ²
Conductor cross section stranded, with ferrule without plastic sleeve max.	50 mm ²
Conductor cross section stranded, with ferrule with plastic sleeve min.	25 mm ²
Conductor cross section stranded, with ferrule with plastic sleeve max.	50 mm ²
2 conductors with same cross section, solid min.	10 mm ²
2 conductors with same cross section, solid max.	16 mm ²
2 conductors with same cross section, stranded min.	10 mm ²
2 conductors with same cross section, stranded max.	16 mm ²
2 conductors with same cross section, stranded, ferrules without plastic sleeve, min.	10 mm ²
2 conductors with same cross section, stranded, ferrules without plastic sleeve, max.	16 mm ²
Connection method	Screw connection
Stripping length	24 mm
Internal cylindrical gage	B10
Screw thread	M6
Tightening torque, min	6 Nm
Tightening torque max	8 Nm

classifications

eCl@ss

eCl@ss 4.0	27141120
eCl@ss 4.1	27141120
eCl@ss 5.0	27141120
eCl@ss 5.1	27141120
eCl@ss 6.0	27141120
eCl@ss 7.0	27141120
eCl@ss 8.0	27141120

ETIM

ETIM 2.0	EC000897
ETIM 3.0	EC000897

Feed-through terminal block - UKH 50 - 3009118

classifications

ETIM

ETIM 4.0	EC000897
ETIM 5.0	EC000897

UNSPSC


UNSPSC 6.01	30211811
UNSPSC 7.0901	39121410
UNSPSC 11	39121410
UNSPSC 12.01	39121410
UNSPSC 13.2	39121410


approvals


IECEX / ATEX / FM approved / UL Recognized / cUL Recognized / cULus Recognized / CSA / UL Recognized / KEMA-KEUR / cUL Recognized / GOST / LR / GL / BV / DNV / PRS / CCA / GOST / VDE Zeichengenehmigung / IECCEB Scheme / cULus Recognized /

Approval details

IECEX	
Nominal voltage UN	690 V
Nominal current IN	133 A
mm ² /AWG/kcmil	25-50

ATEX 	
Nominal voltage UN	690 V
Nominal current IN	133 A
mm ² /AWG/kcmil	16-50

FM approved 	
Nominal voltage UN	600 V
Nominal current IN	135 A
mm ² /AWG/kcmil	6

UL Recognized 	
--	--

Feed-through terminal block - UKH 50 - 3009118

approvals

Nominal voltage UN	600 V
Nominal current IN	150 A
mm ² /AWG/kcmil	6

cUL Recognized

Nominal voltage UN	600 V
Nominal current IN	150 A
mm ² /AWG/kcmil	6

cULus Recognized

CSA

Usegroups	B	C
Nominal voltage UN	600 V	600 V
Nominal current IN	150 A	150 A
mm ² /AWG/kcmil	6	6

Usegroups	B	C
Nominal voltage UN	600 V	600 V
Nominal current IN	150 A	150 A
mm ² /AWG/kcmil	6	6

KEMA-KEUR

Nominal voltage UN	1000 V
Nominal current IN	
mm ² /AWG/kcmil	50

Feed-through terminal block - UKH 50 - 3009118

approvals

Usegroups	B	C
Nominal voltage UN	600 V	600 V
Nominal current IN	150 A	150 A
mm ² /AWG/kcmil	6	6

GOST

LR

GL

BV

DNV

PRS

CCA	
Nominal voltage UN	1000 V
Nominal current IN	
mm ² /AWG/kcmil	50

--

VDE Zeichengenehmigung	
Nominal voltage UN	1000 V
Nominal current IN	
mm ² /AWG/kcmil	

IECEE CB Scheme	
Nominal voltage UN	1000 V

Feed-through terminal block - UKH 50 - 3009118

approvals

Nominal current IN	
mm ² /AWG/kcmil	



accessories

Mounting material

UKH 50 EP - 3009228



Pick-off terminal block

AGK 10-UKH 50 - 3001763



Screwdriver tools

SZS 1,2X8,0 VDE - 1205082



Marker pen

Feed-through terminal block - UKH 50 - 3009118

accessories

X-PEN 0,35 - 0811228



Bridge

FBI 2-20 - 0201346



FBI 3-20 - 0201317



Mounting rail

NS 32 PERF 2000MM - 1201002



NS 32 UNPERF 2000MM - 1201015



Feed-through terminal block - UKH 50 - 3009118

accessories

NS 35/15 PERF 2000MM - 1201730



NS 35/15 UNPERF 2000MM - 1201714



NS 35/15 WH PERF 2000MM - 0806602



NS 35/15 WH UNPERF 2000MM - 1204135



NS 35/15 AL UNPERF 2000MM - 1201756



NS 35/15 ZN PERF 2000MM - 1206599



Feed-through terminal block - UKH 50 - 3009118

accessories

NS 35/15 ZN UNPERF 2000MM - 1206586



NS 35/15 CU UNPERF 2000MM - 1201895



NS 35/15 CAP - 1206573



Terminal marking

ZB 10:UNBEDRUCKT - 1053001



UC-TM 10 - 0818069



Feed-through terminal block - UKH 50 - 3009118

accessories

UCT-TM 10 - 0829142



TMT 10 R - 0816210



Labeled terminal marker

ZB 10 CUS - 0824941



UC-TM 10 CUS - 0824605



UCT-TM 10 CUS - 0829623



Feed-through terminal block - UKH 50 - 3009118

accessories

TMT 10 R CUS - 0824500



End block

E/AL-NS 32 - 1201659



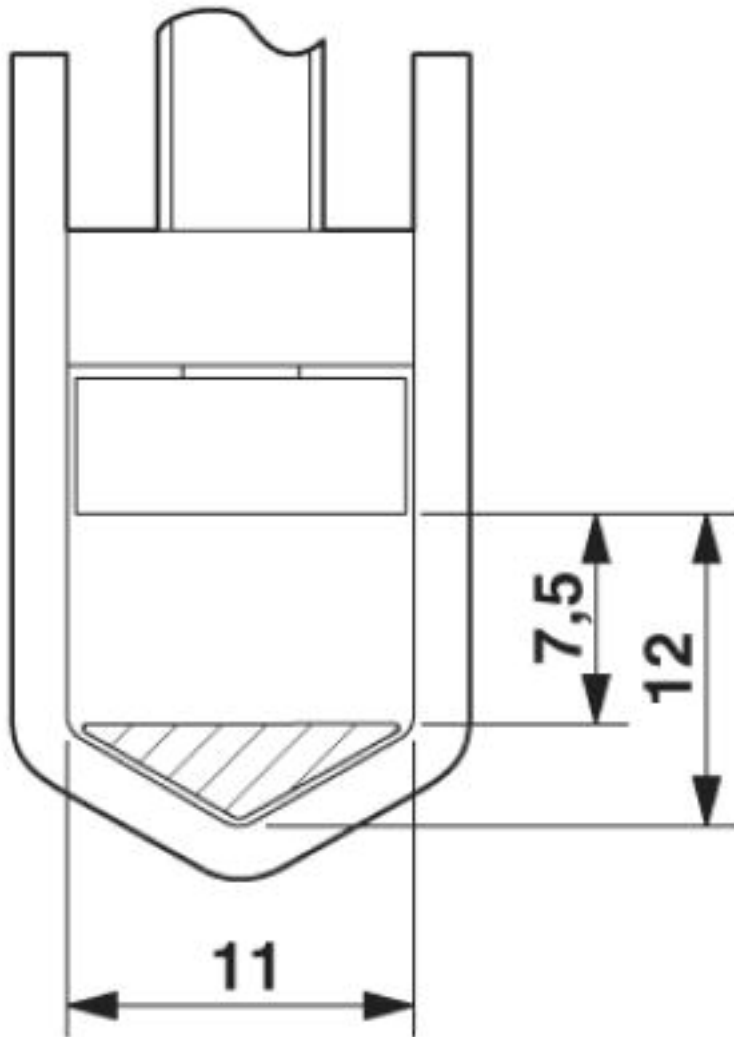
E/AL-NS 35 - 1201662



Drawings

Feed-through terminal block - UKH 50 - 3009118

Dimensioned drawing

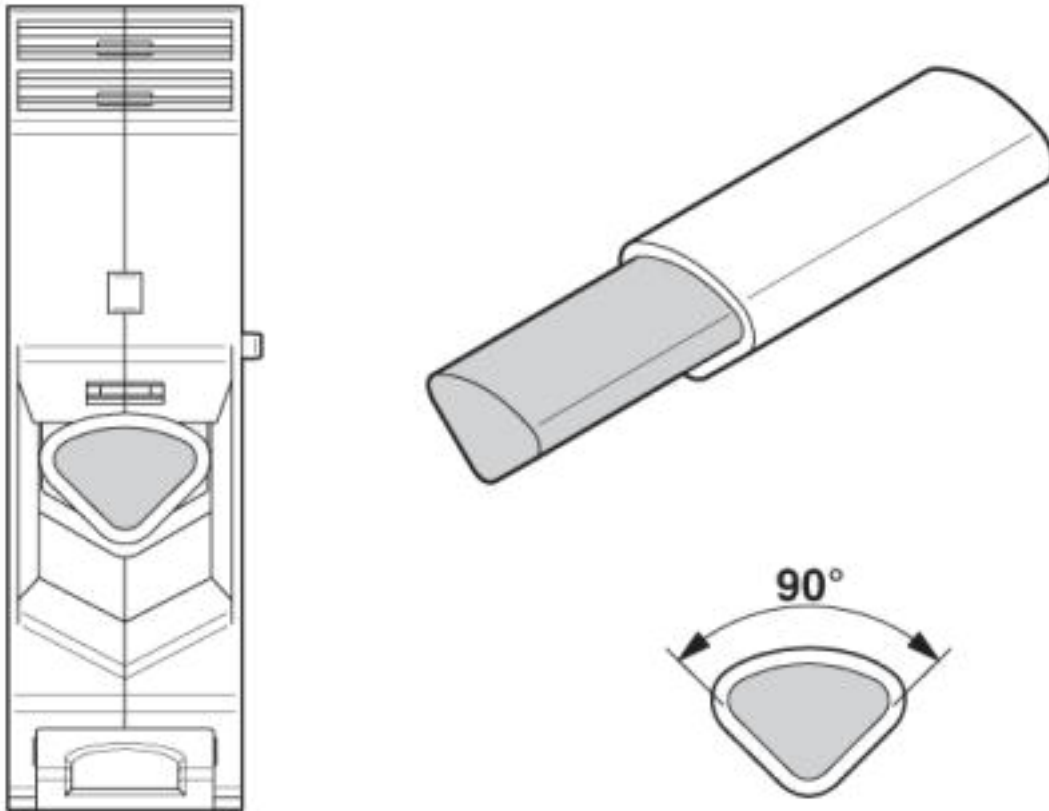


Circuit diagram



Feed-through terminal block - UKH 50 - 3009118

Schematic diagram



Connecting aluminum cables. Further notes can be found in the download area

© Phoenix Contact 2013 - all rights reserved
<http://www.phoenixcontact.com>