

Type 3 surge protection device - MNT-1 D - 2882200

Please be informed that the data shown in this PDF Document is generated from our Online Catalog. Please find the complete data in the user's documentation. Our General Terms of Use for Downloads are valid (<http://download.phoenixcontact.com>)



Attachment plug with surge protection for mains sockets, optical power and fault display. For country-specific use in: D, A, I, NL, S, E, N, FIN



Key commercial data

package_quantity	1
GTIN	4046356073554

Technical data

Dimensions

Height	76.3 mm
Width	56 mm
Depth	78.2 mm

Ambient conditions

Degree of protection	IP20 (child-proof)
Ambient temperature (operation)	-25 °C ... 75 °C

General

Housing material	PA
Inflammability class according to UL 94	V0/HB
Color	black
Standards for air and creepage distances	EN 60664-1
Standards for air and creepage distances	IEC 60664-1
Standards for air and creepage distances	IEC 61643-1
Standards for air and creepage distances	EN 61643-11
Design	Attachment plug
Mounting type	Plugging into the mains socket
For country-specific use in	D, A, NL
Direction of action	L(N)-PE

Protective circuit

IEC test classification	III
-------------------------	-----

Type 3 surge protection device - MNT-1 D - 2882200

Technical data

Protective circuit

IEC test classification	T3
EN type	T3
Nominal voltage U_N	230 V AC
Arrester rated voltage U_C (L-N)	275 V AC
Arrester rated voltage U_C (L-PE)	360 V AC
Arrester rated voltage U_C (N-PE)	360 V AC
Nominal frequency f_N	50 Hz
Nominal frequency f_N	60 Hz
Nominal current I_N	16 A (30 °C)
Residual current I_{PE}	$\leq 1 \mu A$
Nominal discharge current I_n (8/20) μs	3 kA
Nominal discharge current I_n (8/20) μs (L-N)	3 kA
Nominal discharge current I_n (8/20) μs (L-PE)	3 kA
Nominal discharge current I_n (8/20) μs (N-PE)	3 kA
Max. discharge current I_{max} (8/20) μs	8 kA (> 100x 1 kA)
Combined surge U_{oc}	4 kV
Energy absorption symmetrical	140 J (L-N(L))
Energy absorption, asymmetrical	220 J (L(N)-PE)
Voltage protection level U_p (L-N)	≤ 1.2 kV
Voltage protection level U_p (L-N)	≤ 1 kV (at 1 kA (8/20 μs))
Voltage protection level U_p (L-PE)	≤ 1.5 kV
Voltage protection level U_p (N-PE)	≤ 1.5 kV
Response time t_A (L-N)	≤ 25 ns
Response time t_A (L-PE)	≤ 100 ns
Response time t_A (N-PE)	≤ 100 ns
Max. required back-up fuse	16 A (gL/C)
Short-circuit resistance I_p with max. backup fuse (effective)	3 kA
Message: Surge protection fault	Optical

Non-heating apparatus connection, power supply

Connection type IN	Grounding plug
Connection type OUT	Grounding socket

Standards and Regulations

Standards/specifications	EN 61643-11/A11 2007
Standards/specifications	IEC 61643-1 2005
Standards/specifications	VDE 0620-1 2005
Standards/specifications	SEK SS 428 08 34 2004
Standards/specifications	IEC 60884-1
Standards/specifications	NEK-HD 195 S6

Type 3 surge protection device - MNT-1 D - 2882200

classifications

eCl@ss

eCl@ss 4.0	27140201
eCl@ss 4.1	27130801
eCl@ss 5.0	27130801
eCl@ss 5.1	27130801
eCl@ss 6.0	27130806
eCl@ss 7.0	27130806
eCl@ss 8.0	27130806

ETIM

ETIM 2.0	EC000942
ETIM 3.0	EC000942
ETIM 4.0	EC000942
ETIM 5.0	EC000942

UNSPSC

UNSPSC 6.01	30212010
UNSPSC 7.0901	39121610
UNSPSC 11	39121610
UNSPSC 12.01	39121610
UNSPSC 13.2	39121620

approvals

VDE Zeichengenehmigung / GOST /

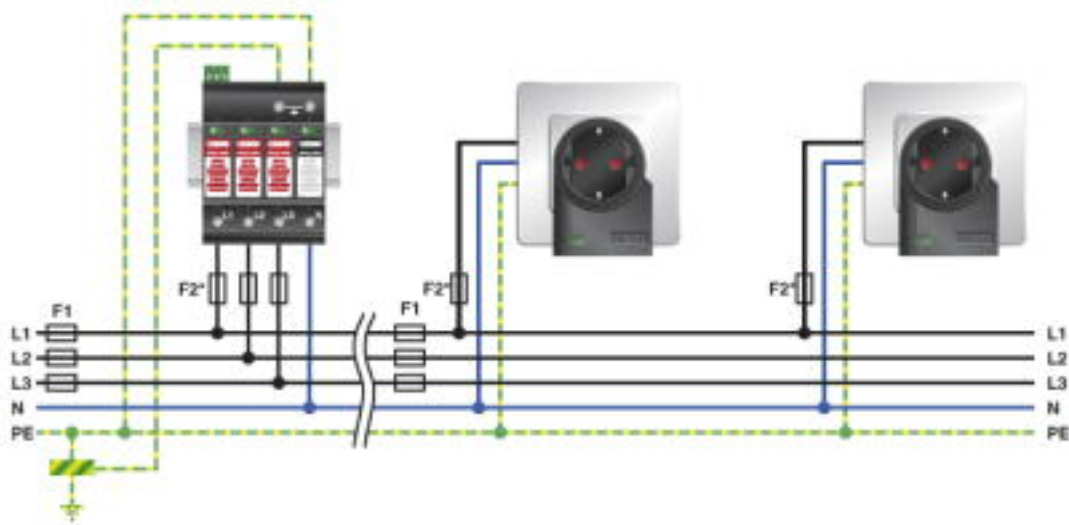
Approval details



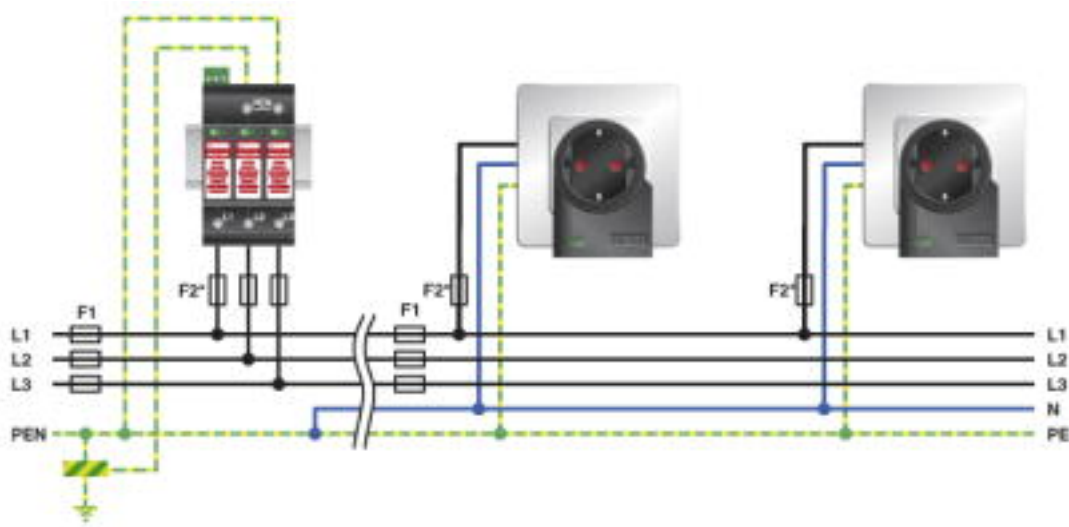
Drawings

Type 3 surge protection device - MNT-1 D - 2882200

Application drawing

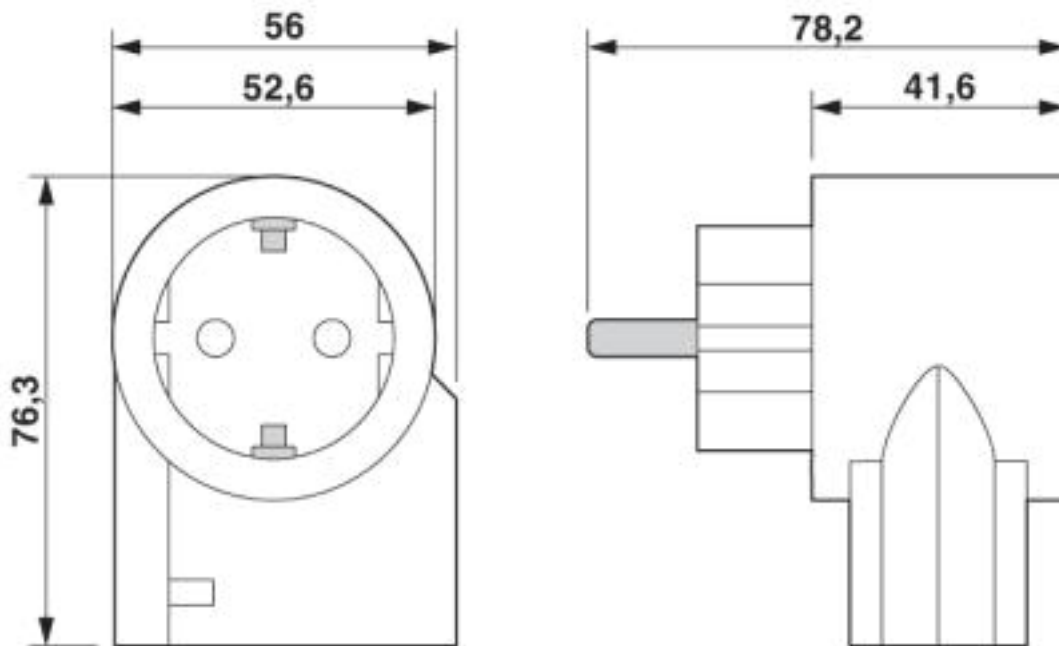


Application drawing



Type 3 surge protection device - MNT-1 D - 2882200

Dimensioned drawing



Circuit diagram

