

# Signal conditioner - MCR-C-U-U-DC - 2814469

Please be informed that the data shown in this PDF Document is generated from our Online Catalog. Please find the complete data in the user's documentation. Our General Terms of Use for Downloads are valid (<http://download.phoenixcontact.com>)



MCR 3-way isolating amplifier, for electrical isolation of analog signals, input signal: 0 ... 10 V/(+/-)10 V, output signal: 0 ... 10 V/(+/-)10 V

The illustration shows version MCR-C-I-I-00-DC

## Product Features

- 3-way isolation
- Processing of standard signals
- Fixed setting of input and output signals



## Key commercial data

<b>package_quantity</b>	5
<b>GTIN</b>	4017918156169

## Technical data

Note:

<b>Utilization restriction</b>	EMC: class A product, see manufacturer's declaration in the download area
--------------------------------	---

### Dimensions

<b>Width</b>	12.5 mm
<b>Height</b>	99 mm
<b>Depth</b>	114.5 mm

### Ambient conditions

<b>Ambient temperature (operation)</b>	-25 °C ... 60 °C
--	------------------

### Input data

<b>Description of the input</b>	Voltage input
<b>Configurable/programmable</b>	No
<b>Voltage input signal</b>	0 V ... 10 V
<b>Voltage input signal</b>	-10 V ... 10 V
<b>Max. input voltage</b>	30 V
<b>Input resistance of voltage input</b>	100 kΩ

# Signal conditioner - MCR-C-U-U-DC - 2814469

## Technical data

### Output data

Output name	Voltage output
Configurable/programmable	No
Voltage output signal	0 V ... 10 V
Voltage output signal	-10 V ... 10 V
Max. output voltage	15 V
Load/output load voltage output	≥ 10 kΩ
Linear transmission range (in reference to the output range end value)	-110 % ... 110 % (Bipolar signals)

### Power supply

Supply voltage range	20 V DC ... 30 V DC
Typical current consumption	< 15 mA (without load)

### Connection data

Connection method	Pluggable screw connection
Conductor cross section solid min.	0.2 mm <sup>2</sup>
Conductor cross section solid max.	2.5 mm <sup>2</sup>
Conductor cross section stranded min.	0.2 mm <sup>2</sup>
Conductor cross section stranded max.	2.5 mm <sup>2</sup>
Conductor cross section AWG/kcmil min.	24
Conductor cross section AWG/kcmil max	14
Stripping length	8 mm
Screw thread	M3

### General

No. of channels	1
Maximum transmission error	≤ 0.2 % (of final value)
Transmission error, typical	< 0.1 % (of final value)
Maximum temperature coefficient	< 0.015 %/K
Limit frequency (3 dB)	30 Hz
Step response (10-90%)	11 ms
Protective circuit	Transient protection
Test voltage, input/output/supply	1.5 kV (50 Hz, 1 min.)
Color	green
Housing material	Polyamide PA non-reinforced
Mounting position	Any
Conformance	CE-compliant

## classifications

### eCl@ss

eCl@ss 4.0	27210120
eCl@ss 4.1	27210120

# Signal conditioner - MCR-C-U-U-DC - 2814469

## classifications

### eCl@ss

eCl@ss 5.0	27210120
eCl@ss 5.1	27210120
eCl@ss 6.0	27210120
eCl@ss 7.0	27210120
eCl@ss 8.0	27210120

### ETIM

ETIM 2.0	EC001485
ETIM 3.0	EC001485
ETIM 4.0	EC001485
ETIM 5.0	EC001485

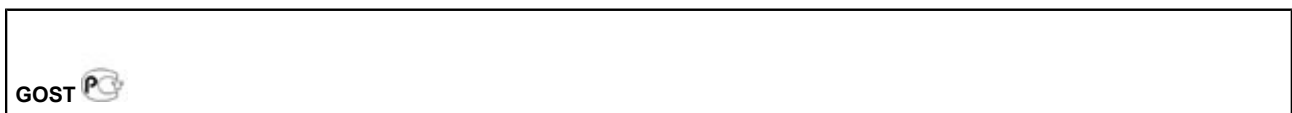
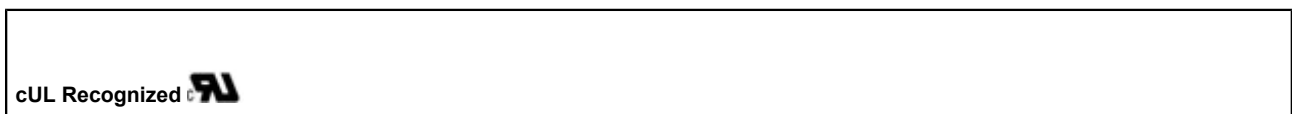
### UNSPSC

UNSPSC 6.01	30211506
UNSPSC 7.0901	39121008
UNSPSC 11	39121008
UNSPSC 12.01	39121008
UNSPSC 13.2	39121008

## approvals

UL Recognized / cUL Recognized / GOST / cULus Recognized /

### Approval details



# Signal conditioner - MCR-C-U-U-DC - 2814469

accessories

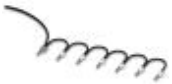
## Bridge

DB 50- 90 GY - 2820929



---

DB 50- 90 BK - 2820916



---

DB 50- 90 BU - 2821180

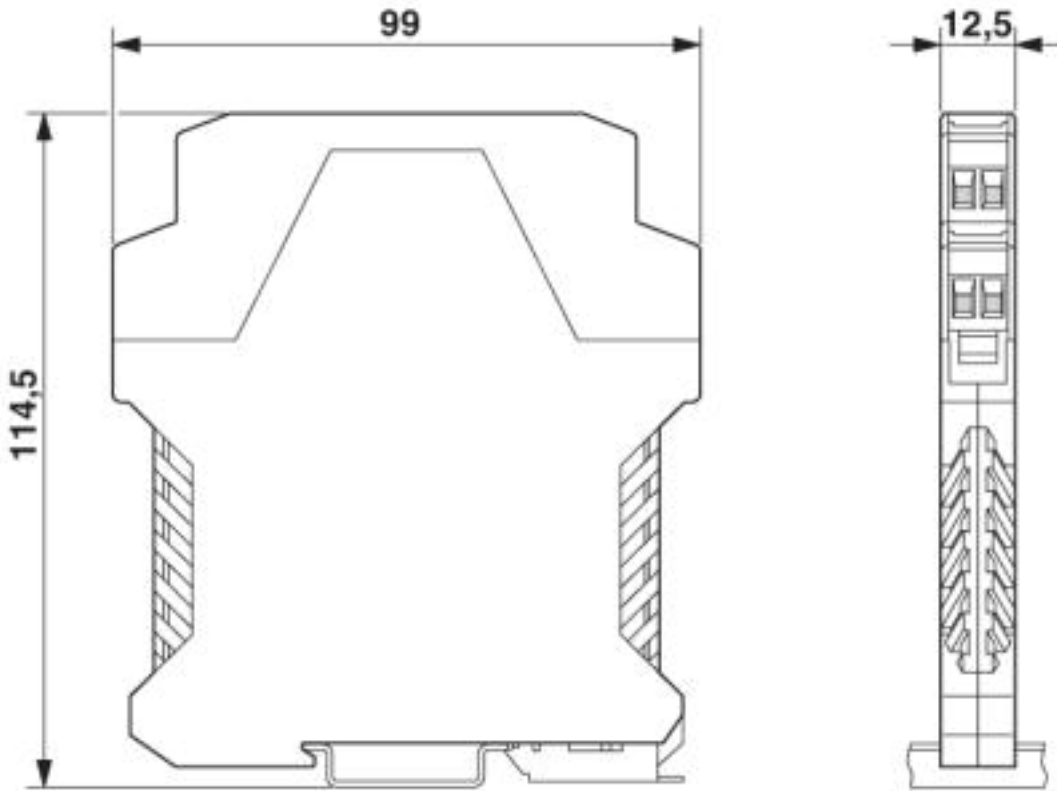


---

Drawings

# Signal conditioner - MCR-C-U-U-DC - 2814469

Dimensioned drawing



Circuit diagram

