

Type 3 surge protection device - MNT-TAE D/WH - 2882394

Please be informed that the data shown in this PDF Document is generated from our Online Catalog. Please find the complete data in the user's documentation. Our General Terms of Use for Downloads are valid (<http://download.phoenixcontact.com>)



Socket attachment plug with surge protection for the power supply and signal connection of a termination device with analog or digital telecommunications interface (VDSL up to 46 Mbps). Cable is included.

Product Features

- Easy operation
- Thermal monitoring of the protective circuit
- Compact protection for termination devices
- Green LED - operating indicator for the power supply



Key commercial data

package_quantity	1
GTIN	4046356073462

Technical data

Dimensions

Height	79 mm
Width	63 mm
Depth	103.5 mm

Ambient conditions

Ambient temperature (operation)	-25 °C ... 75 °C
Degree of protection	IP20 (child-proof)

General

Housing material	PA
Inflammability class according to UL 94	V0/HB
Standards for air and creepage distances	VDE 0110-1
Standards for air and creepage distances	EN 60664-1
Standards for air and creepage distances	IEC 61643-1
Standards for air and creepage distances	EN 61643-11
Total surge current (8/20) µs	5 kA
Color	white
For country-specific use in	D

Type 3 surge protection device - MNT-TAE D/WH - 2882394

Technical data

General

Mounting type	Plugging into the mains socket
Design	Attachment plug
Direction of action	L/N-PE & Signal Line-Earth Ground

Protective circuit, power supply

IEC test classification	III
IEC test classification	T3
EN type	T3
Nominal voltage U_N	230 V AC
Arrester rated voltage U_C (L-N)	275 V AC
Arrester rated voltage U_C (L-PE)	360 V AC (L/N-PE)
Arrester rated voltage U_C (N-PE)	360 V AC (L/N-PE)
Nominal frequency f_N	50 Hz
Nominal frequency f_N	60 Hz
Nominal current I_N	16 A (30 °C)
Residual current I_{PE}	$\leq 1 \mu A$
Nominal discharge current I_n (8/20) μs	3 kA
Nominal discharge current I_n (8/20) μs (L-N)	3 kA
Nominal discharge current I_n (8/20) μs (L-PE)	3 kA
Max. discharge current I_{max} (8/20) μs	8 kA (> 100x 1 kA)
Combined surge U_{oc}	4 kV
Energy absorption symmetrical	140 J (L-N)
Energy absorption, asymmetrical	220 J (L(N)-PE)
Voltage protection level U_P (L-N)	≤ 1.2 kV
Voltage protection level U_P (L-N)	≤ 1 kV (at 1 kA (8/20 μs))
Voltage protection level U_P (L-PE)	≤ 1.5 kV
Voltage protection level U_P (N-PE)	≤ 1.5 kV
Total surge current (8/20) μs	5 kA
Response time (L-N)	≤ 25 ns
Response time (L-PE)	≤ 100 ns
Response time (N-PE)	≤ 100 ns
Message: Surge protection fault	Optical
Max. required back-up fuse	16 A (gL/C)

Connection (protective circuit, power supply)

Connection method	Grounding plug/socket
Connection type IN	Grounding plug
Connection type OUT	Grounding socket

Standards (protective circuit, power supply)

Standards/regulations	IEC 61643-1
Standards/regulations	EN 61643-11/A11

Type 3 surge protection device - MNT-TAE D/WH - 2882394

Technical data

Standards (protective circuit, power supply)

Standards/regulations	VDE 0620-1
Standards/regulations	SEK SS 428 08 34

Protective circuit, information technology

Arrester rated voltage U_c (Core-Core)	200 V DC
Arrester rated voltage U_c (Core-Earth)	380 V DC
Nominal current I_N	1.5 A (25 °C)
Operating effective current I_c at U_c	$\leq 150 \mu\text{A}$
Residual current I_{PE}	$\leq 2 \mu\text{A}$
Insulation resistance R_{iso}	$\geq 1 \text{ M}\Omega$ (core-core)
Insulation resistance R_{iso}	$\geq 1 \text{ G}\Omega$ (Core-PE)
Nominal discharge current I_n (8/20) μs (Core-Core)	1 kA
Nominal discharge current I_n (8/20) μs (Core-Earth)	2.5 kA
Max. discharge current I_{max} (8/20) μs	2.5 kA
Voltage protection level U_p (Core-Core)	$\leq 460 \text{ V}$ (C2 - 1 kA)
Voltage protection level U_p (Core-Core)	$\leq 350 \text{ V}$ (C3 - 25 A)
Voltage protection level U_p (Core-Earth)	$\leq 900 \text{ V}$ (C2 - 2 kA)
Voltage protection level U_p (Core-Earth)	$\leq 900 \text{ V}$ (C3 - 100 A)
Response time t_A (Core-Core)	$\leq 25 \text{ ns}$
Response time t_A (Core-Earth)	$\leq 100 \text{ ns}$
Cut-off frequency f_g (3 dB), sym. in 100 Ohm system	typ. 4 MHz
Cut-off frequency f_g (3 dB), sym. in 600 Ohm system	typ. 700 kHz
Capacity (Core-Core)	typ. 1 nF
Capacity (Core-Earth)	typ. 5 pF
Output voltage limitation at 1 kV/ μs (wire-wire)	$\leq 360 \text{ V}$
Residual voltage at I_n , (conductor-conductor)	$\leq 500 \text{ V}$
Residual voltage at I_n , (conductor-ground)	$\leq 30 \text{ V}$
Residual voltage with I_{an} (10/1000) μs (conductor-conductor)	$\leq 35 \text{ V}$
Residual voltage with I_{an} (10/1000) μs (conductor-ground)	$\leq 35 \text{ V}$
Surge carrying capacity in acc. with IEC 61643-21 (Core-Core)	C2 (2 kV / 1 kA)
Surge carrying capacity in acc. with IEC 61643-21 (Core-Core)	C3 (25 A)
Surge carrying capacity in acc. with IEC 61643-21 (Core-Earth)	C2 (4 kV / 2 kA)
Surge carrying capacity in acc. with IEC 61643-21 (Core-Earth)	C3 (100 A)
Surge carrying capacity in acc. with IEC 61643-21 (Core-Earth)	D1 (500 A)
Alternating current carrying capacity in acc. with IEC 61643-21 (Core-Core)	250 mA - 1 s
Alternating current carrying capacity in acc. with IEC 61643-21 (Core-Earth)	10 A - 1 s
Pulse reset time t_r in acc. with IEC 61643-21 (Core-Core)	$\leq 10 \text{ ms}$
Overload fault mode in acc. with IEC 61643-21 (Core-Core)	Mode 3
Overload fault mode in acc. with IEC 61643-21 (Core-Earth)	Mode 3

Type 3 surge protection device - MNT-TAE D/WH - 2882394

Technical data

Power supply, general

Connection method	RJ12/TAE 6
Connection type IN	RJ12 female connector
Connection type OUT	TAE 6 socket

Connection, equipotential bonding, information technology

Connection method	Via protective contact plug
--------------------------	-----------------------------

Standards (protective circuit, information technology)

IEC test classification	C1
IEC test classification	C2
IEC test classification	C3
IEC test classification	D1
Standards/regulations	IEC 61643-21

classifications

eCl@ss

eCl@ss 4.0	27140201
eCl@ss 4.1	27130801
eCl@ss 5.0	27130801
eCl@ss 5.1	27130801
eCl@ss 6.0	27130810
eCl@ss 7.0	27130810
eCl@ss 8.0	27130810

ETIM

ETIM 2.0	EC001473
ETIM 3.0	EC001473
ETIM 4.0	EC001473
ETIM 5.0	EC001473

UNSPSC

UNSPSC 6.01	30212010
UNSPSC 7.0901	39121610
UNSPSC 11	39121610
UNSPSC 12.01	39121610
UNSPSC 13.2	39121620

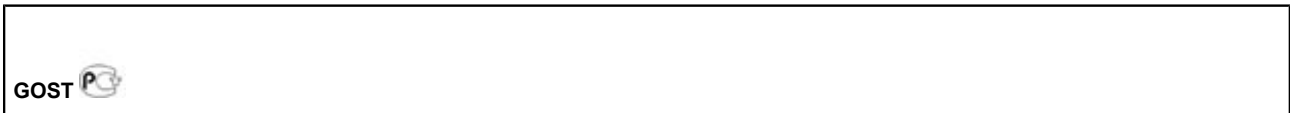
approvals

VDE Zeichengenehmigung / GOST /

Type 3 surge protection device - MNT-TAE D/WH - 2882394

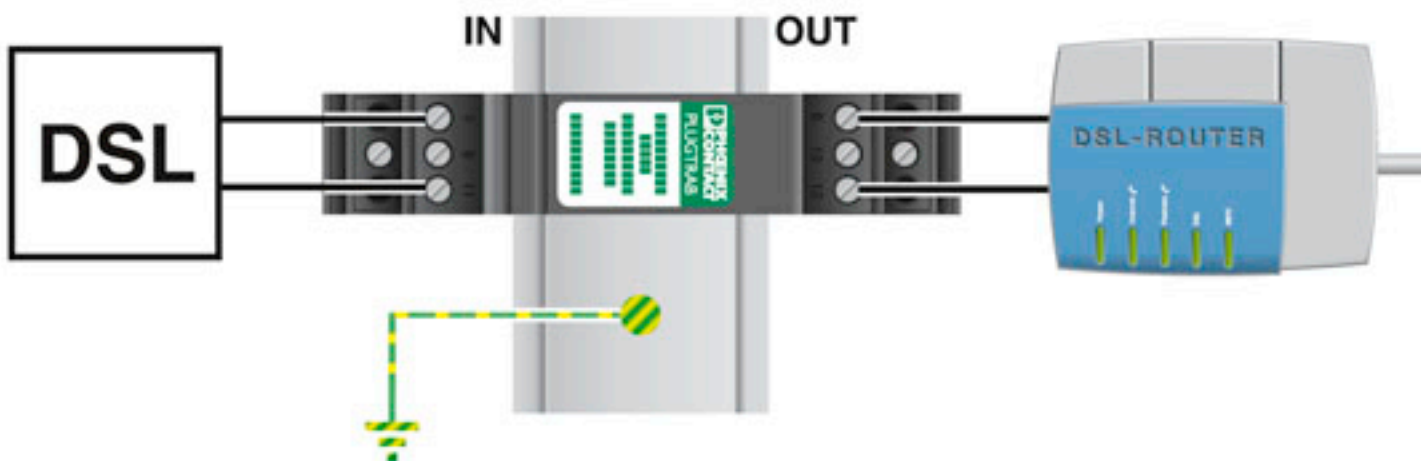
approvals

Approval details



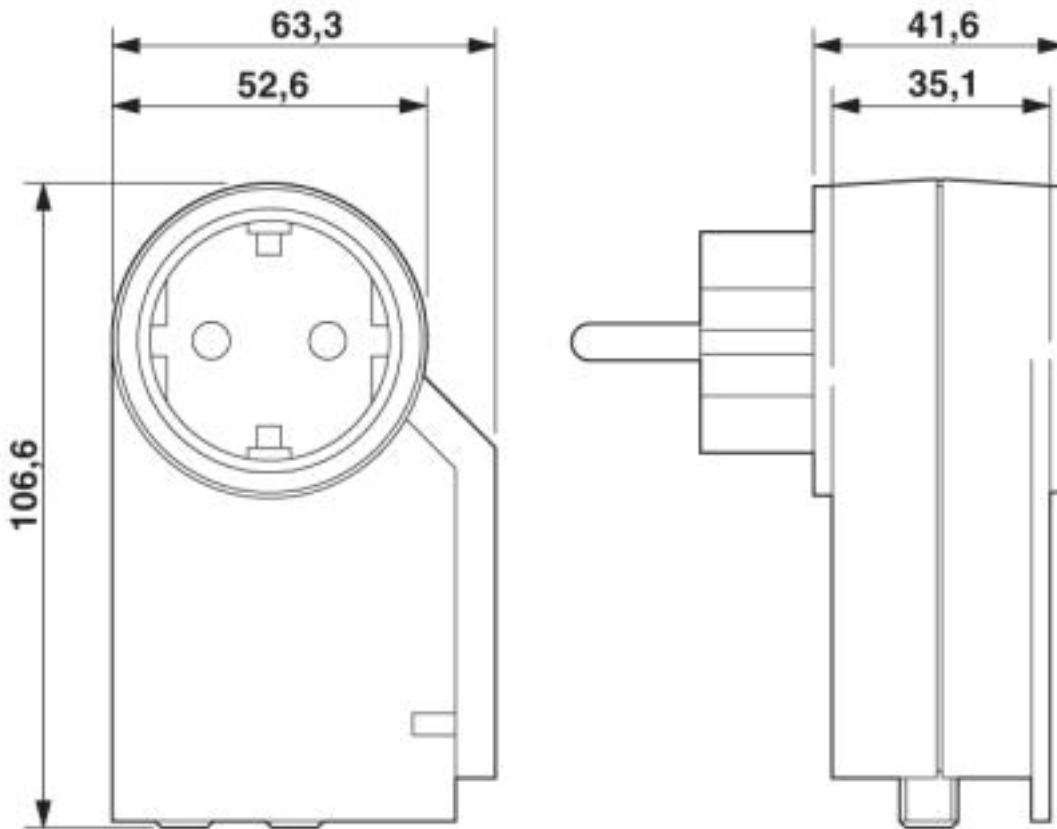
Drawings

Application drawing



Type 3 surge protection device - MNT-TAE D/WH - 2882394

Dimensioned drawing



Type 3 surge protection device - MNT-TAE D/WH - 2882394

Circuit diagram

