

# Signal conditioner - MINI MCR-SL-UI-UI-NC - 2864150

Please be informed that the data shown in this PDF Document is generated from our Online Catalog. Please find the complete data in the user's documentation. Our General Terms of Use for Downloads are valid (<http://download.phoenixcontact.com>)



3-way isolating amplifier for the electrical isolation of analog signals, I/O can be configured via DIP switches, with screw connection, standard configuration

## Product Features

- ✔ Power supply possible via the foot element (T-connector)
- ✔ Up to 36 signal combinations can be configured using DIP switches
- ✔ Low power consumption
- ✔ Highly-compact isolating amplifier for electrical isolation, conversion, amplification, and filtering of standard analog signals
- ✔ 3-way isolation



## Key commercial data

package_quantity	1
GTIN	4017918956615

## Technical data

Note:

Utilization restriction	EMC: class A product, see manufacturer's declaration in the download area
-------------------------	---

### Dimensions

Width	6.2 mm
Height	93.1 mm
Depth	102.5 mm

### Ambient conditions

Ambient temperature (operation)	-20 °C ... 65 °C
Ambient temperature (storage/transport)	-40 °C ... 85 °C
Degree of protection	IP20

### Input data

Configurable/programmable	Yes, unconfigured
Voltage input signal	0 V ... 10 V
Voltage input signal	0 V ... 5 V
Voltage input signal	1 V ... 5 V

# Signal conditioner - MINI MCR-SL-UI-UI-NC - 2864150

## Technical data

### Input data

Voltage input signal	2 V ... 10 V
Current input signal	0 mA ... 20 mA
Current input signal	4 mA ... 20 mA
Max. input voltage	30 V
Max. input current	50 mA
Input resistance of voltage input	approx. 100 kΩ
Input resistance current input	approx. 50 Ω

### Output data

Configurable/programmable	Yes, unconfigured
Voltage output signal	0 V ... 10 V
Voltage output signal	0 V ... 5 V
Voltage output signal	1 V ... 5 V
Voltage output signal	2 V ... 10 V
Current output signal	0 mA ... 20 mA (please indicate if different setting when ordering)
Current output signal	4 mA ... 20 mA
Max. output voltage	approx. 12.5 V
Max. output current	28 mA
Short-circuit current	approx. 22 mA
Load/output load voltage output	≥ 10 kΩ
Load/output load current output	< 500 Ω (at 20 mA)

### Power supply

Nominal supply voltage	24 V DC
Supply voltage range	19.2 V DC ... 30 V DC (The T connector (ME 6,2 TBUS-2 1,5/5-ST-3,81 GN, Order No. 2869728) can be used to bridge the supply voltage. It can be snapped onto a 35 mm DIN rail according to EN 60715))
Max. current consumption	< 19 mA (Current output, at 24 V DC incl. load)
Max. current consumption	< 9 mA (Voltage output, at 24 V DC incl. load)
Power consumption	< 450 mW (Current output)
Power consumption	< 200 mW (Voltage output)

### Connection data

Connection method	Screw connection
Conductor cross section solid min.	0.2 mm <sup>2</sup>
Conductor cross section solid max.	2.5 mm <sup>2</sup>
Conductor cross section stranded min.	0.2 mm <sup>2</sup>
Conductor cross section stranded max.	2.5 mm <sup>2</sup>
Conductor cross section AWG/kcmil min.	26
Conductor cross section AWG/kcmil max	12
Stripping length	12 mm
Screw thread	M3

### General

# Signal conditioner - MINI MCR-SL-UI-UI-NC - 2864150

## Technical data

### General

<b>No. of channels</b>	1
<b>Maximum transmission error</b>	≤ 0.1 % (of final value)
<b>Maximum transmission error</b>	< 0.4 % (Without adjustment)
<b>Maximum temperature coefficient</b>	< 0.01 %/K
<b>Temperature coefficient, typical</b>	< 0.002 %/K
<b>Limit frequency (3 dB)</b>	approx. 100 Hz
<b>Step response (10-90%)</b>	approx. 3.2 ms
<b>Protective circuit</b>	Transient protection
<b>Electrical isolation</b>	Basic insulation according to EN 61010
<b>Surge voltage category</b>	II
<b>Pollution degree</b>	2
<b>Rated insulation voltage</b>	50 V AC/DC
<b>Test voltage, input/output/supply</b>	1.5 kV (50 Hz, 1 min.)
<b>Electromagnetic compatibility</b>	Conformance with EMC Directive 2004/108/EC
<b>Noise emission</b>	EN 61000-6-4
<b>Noise immunity</b>	EN 61000-6-2 When being exposed to interference, there may be minimal deviations.
<b>Color</b>	green
<b>Housing material</b>	PBT
<b>Mounting position</b>	Any
<b>Assembly instructions</b>	The T connector can be used to bridge the supply voltage. It can be snapped onto a 35 mm DIN rail according to EN 60715.
<b>Conformance</b>	CE-compliant
<b>ATEX</b>	# II 3 G Ex nA IIC T4 Gc X
<b>UL, USA / Canada</b>	UL 508 Recognized
<b>UL, USA / Canada</b>	Class I, Div. 2, Groups A, B, C, D T5
<b>GL</b>	GL EMC 2 D

### EMC data

<b>Name</b>	Electromagnetic RF field
<b>Standards/regulations</b>	EN 61000-4-3
<b>Typical deviation from the measuring range final value</b>	5 %
<b>Name</b>	Fast transients (burst)
<b>Standards/regulations</b>	EN 61000-4-4
<b>Typical deviation from the measuring range final value</b>	5 %
<b>Name</b>	Conducted interferences
<b>Standards/regulations</b>	EN 61000-4-6
<b>Typical deviation from the measuring range final value</b>	5 %

### classifications

eCl@ss

<b>eCl@ss 4.0</b>	27210120
-------------------	----------

# Signal conditioner - MINI MCR-SL-UI-UI-NC - 2864150

## classifications

### eCl@ss

eCl@ss 4.1	27210120
eCl@ss 5.0	27210120
eCl@ss 5.1	27210120
eCl@ss 6.0	27210120
eCl@ss 7.0	27210120
eCl@ss 8.0	27210120

### ETIM

ETIM 2.0	EC001485
ETIM 3.0	EC001485
ETIM 4.0	EC001485
ETIM 5.0	EC001485


### UNSPSC


UNSPSC 6.01	30211506
UNSPSC 7.0901	39121008
UNSPSC 11	39121008
UNSPSC 12.01	39121008
UNSPSC 13.2	39121008

## approvals

UL Listed / cUL Listed / ATEX / cULus Listed / UL Recognized / cUL Recognized / GL / cULus Recognized /

### Approval details

<b>UL Listed</b> 	
Nominal voltage UN	
Nominal current IN	
mm <sup>2</sup> /AWG/kcmil	

<b>cUL Listed</b> 	
Nominal voltage UN	
Nominal current IN	
mm <sup>2</sup> /AWG/kcmil	

# Signal conditioner - MINI MCR-SL-UI-UI-NC - 2864150

approvals

ATEX

cULus Listed

UL Recognized

Nominal voltage UN	
Nominal current IN	
mm <sup>2</sup> /AWG/kcmil	

cUL Recognized

Nominal voltage UN	
Nominal current IN	
mm <sup>2</sup> /AWG/kcmil	

GL

cULus Recognized

accessories

**DIN rail connector**

ME 6,2 TBUS-2 1,5/5-ST-3,81 GN - 2869728



**Power module**

## Signal conditioner - MINI MCR-SL-UI-UI-NC - 2864150

### accessories

MINI MCR-SL-PTB - 2864134



---

MINI MCR-SL-PTB-SP - 2864147



---

### Power supply

MINI-SYS-PS-100-240AC/24DC/1.5 - 2866983



---

MINI-PS-100-240AC/24DC/1.5/EX - 2866653



---

### System adapter

MINI MCR-SL-V8-FLK 16-A - 2811268



---

### Marking material

# Signal conditioner - MINI MCR-SL-UI-UI-NC - 2864150

accessories

MINI MCR DKL - 2308111

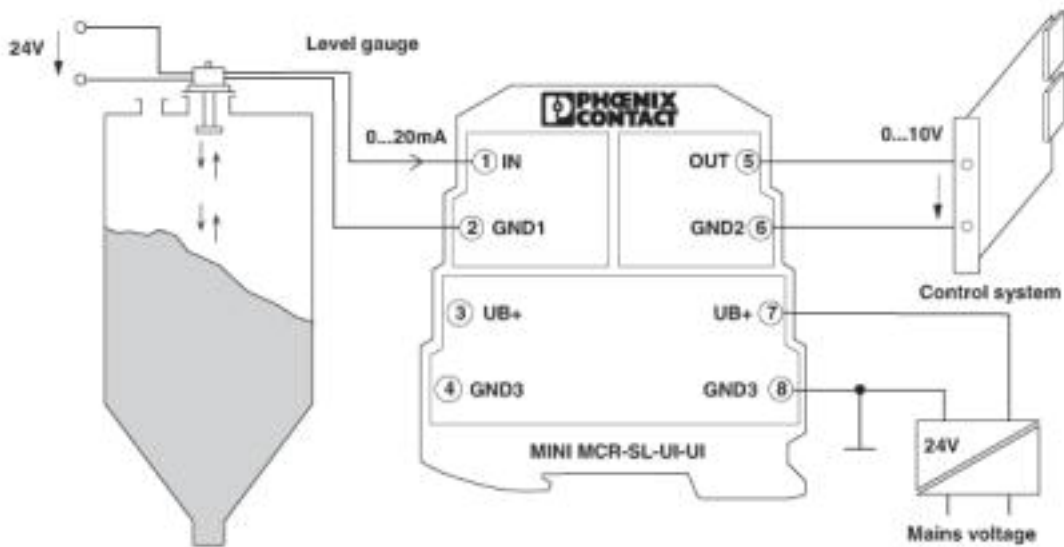


MINI MCR-DKL-LABEL - 2810272



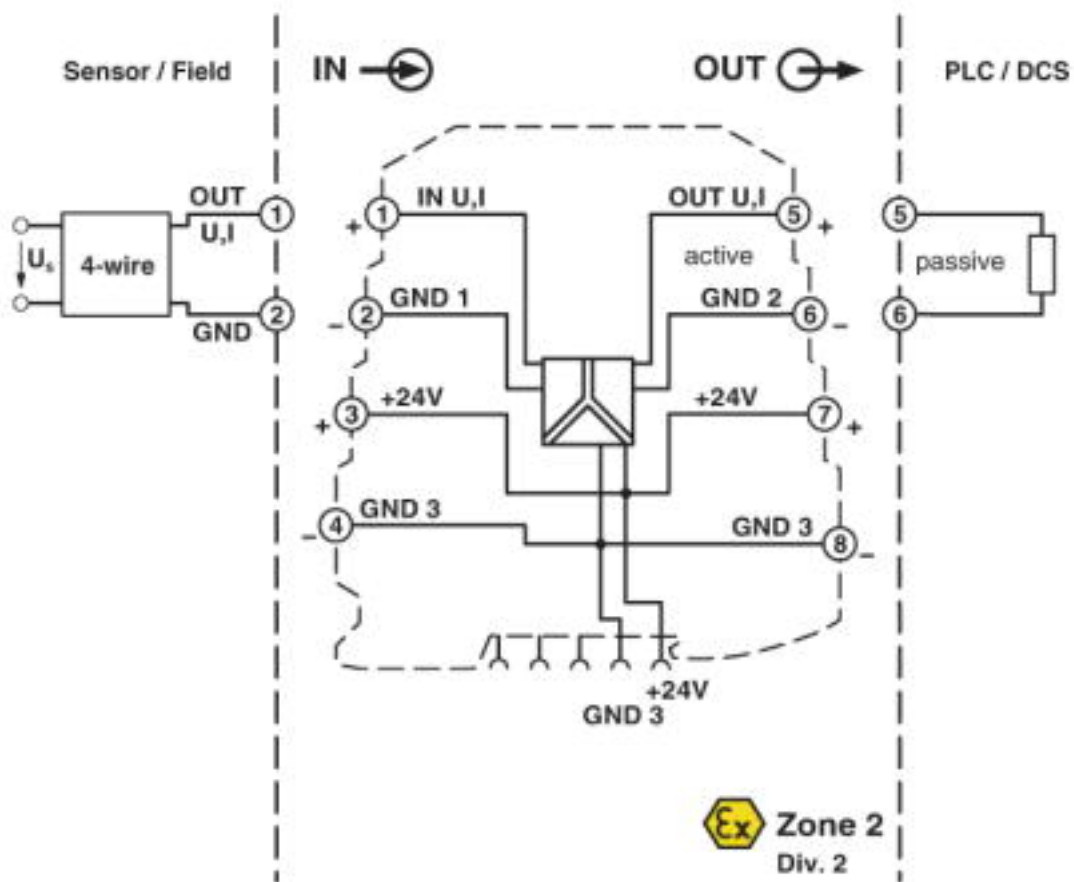
## Drawings

Application drawing



# Signal conditioner - MINI MCR-SL-UI-UI-NC - 2864150

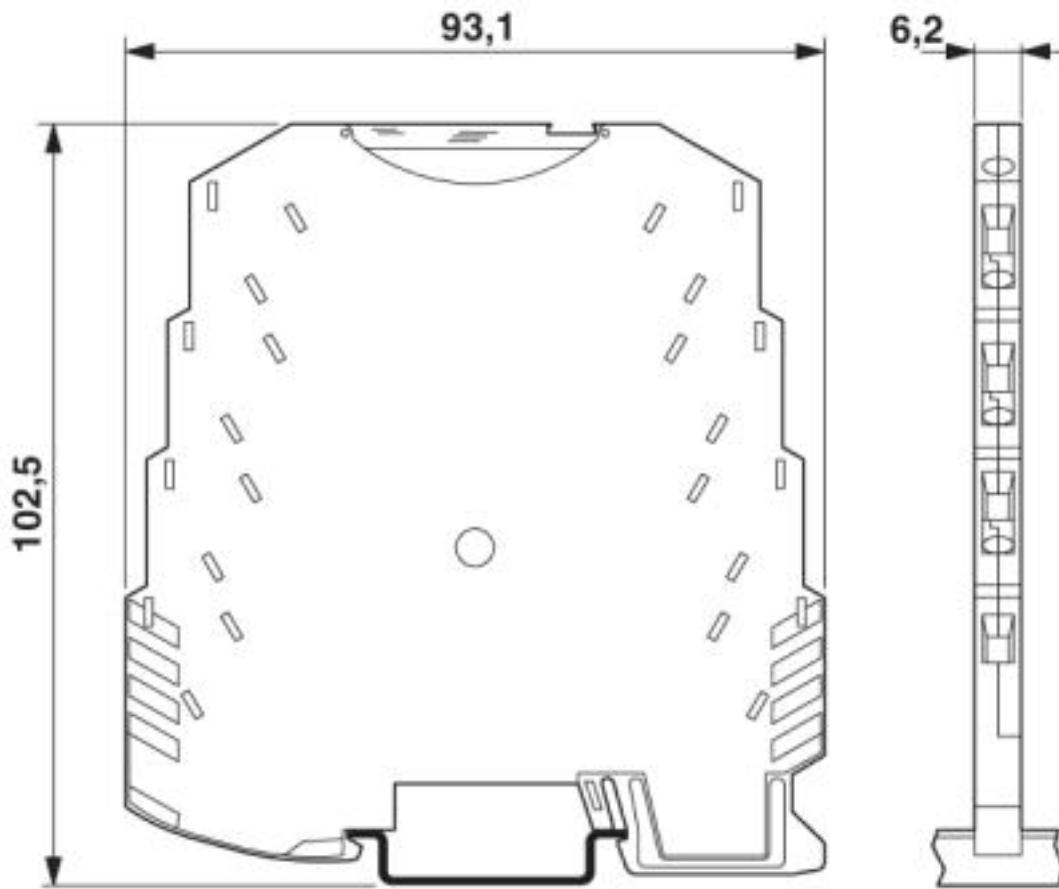
Block diagram





# Signal conditioner - MINI MCR-SL-UI-UI-NC - 2864150

Dimensioned drawing



© Phoenix Contact 2013 - all rights reserved  
<http://www.phoenixcontact.com>