

Socket - SD-D/SC/LA/GY - 2963491

Please be informed that the data shown in this PDF Document is generated from our Online Catalog. Please find the complete data in the user's documentation. Our General Terms of Use for Downloads are valid (<http://download.phoenixcontact.com>)



Control cabinet socket, for mounting on DIN rails and in the service interface, with LED, housing color: gray, with screw connection, national version: Germany, housing width 45 mm



Key commercial data

package_quantity	5
GTIN	4017918606190

Technical data

Dimensions

Width	45 mm
Height	75 mm
Depth	65.2 mm

Ambient conditions

Ambient temperature (operation)	-20 °C ... 60 °C
Ambient temperature (storage/transport)	-20 °C ... 60 °C

General

Nominal voltage U_N	250 V AC
Nominal current I_N	16 A
Status display	Glow lamp or LED with preresistor
Contact material	CuZn37
For country-specific use in	D
Color	gray
Insulating material	PA
Standards/regulations	IEC 83
Standards/regulations	DIN 49440-1

Connection data

Conductor cross section solid min.	0.2 mm ²
Conductor cross section solid max.	4 mm ²
Conductor cross section stranded min.	0.2 mm ²

Socket - SD-D/SC/LA/GY - 2963491

Technical data

Connection data

Conductor cross section stranded max.	2.5 mm ²
Conductor cross section AWG/kcmil min.	24
Conductor cross section AWG/kcmil max	12
Connection method	Screw connection
Stripping length	8 mm
Screw thread	M3

classifications

eCl@ss

eCl@ss 4.0	27142305
eCl@ss 4.1	27142305
eCl@ss 5.0	27142305
eCl@ss 5.1	27142305
eCl@ss 6.0	27142305
eCl@ss 7.0	27142305
eCl@ss 8.0	27142305

ETIM

ETIM 2.0	EC001325
ETIM 3.0	EC001325
ETIM 4.0	EC001663
ETIM 5.0	EC001663


UNSPSC

UNSPSC 6.01	30211806
UNSPSC 7.0901	39121406
UNSPSC 11	39121406
UNSPSC 12.01	39121406
UNSPSC 13.2	39121406

approvals

VDE Zeichengenehmigung / GOST /

Approval details

VDE Zeichengenehmigung 	
Nominal voltage UN	250 V
Nominal current IN	16 A

Socket - SD-D/SC/LA/GY - 2963491

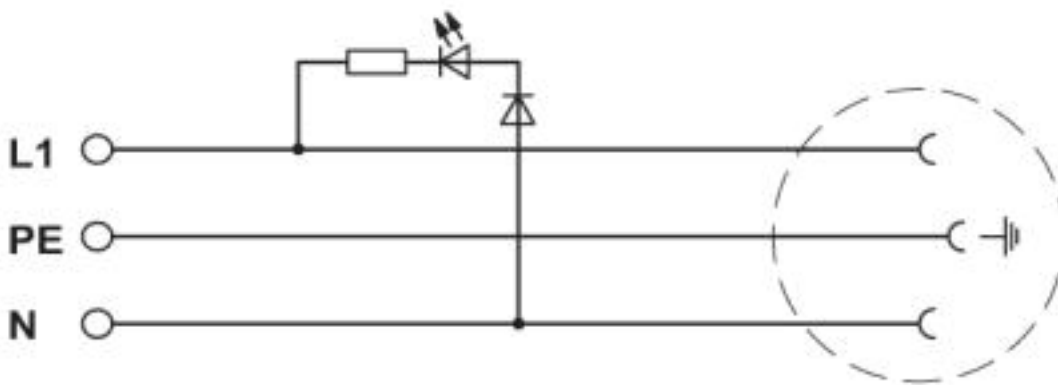
approvals

mm ² /AWG/kcmil	

GOST

Drawings

Circuit diagram



© Phoenix Contact 2013 - all rights reserved
<http://www.phoenixcontact.com>