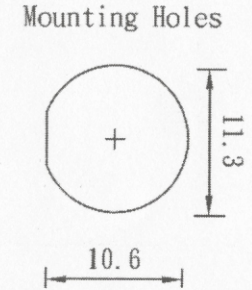
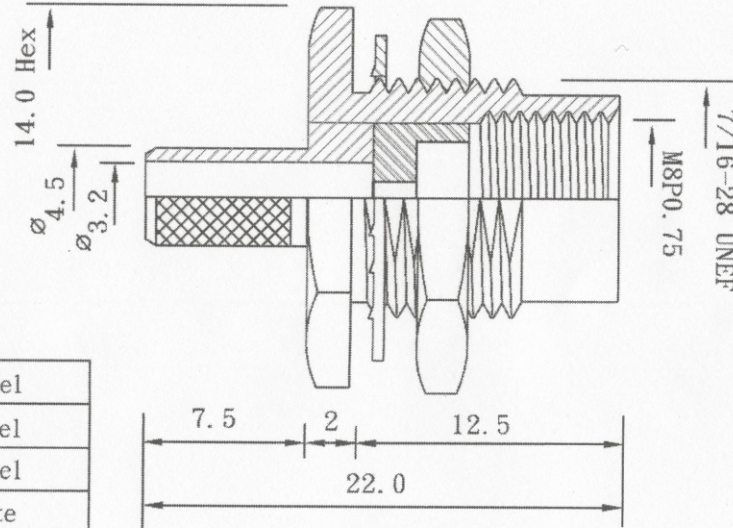
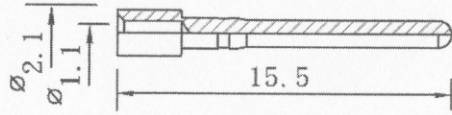


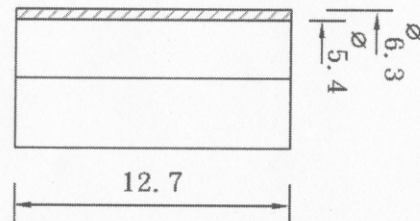
Impedance	50Ω
Frequency range	0-3 GHz
VSWR (straight connectors)	≤ 1.22 typ
Insulation resistance	≥ 5 x 10 ³ MΩ
Center contact resistance	≤ 10.0 mΩ
Outer contact resistance	≤ 5.0 mΩ
Test voltage	1000V rms
Working voltage	500 V rms
Insertion loss(dB)	≤ 0.1dB max/1GHz typ

NOTE: FINISH (PLATING THICKNESS IN MICRO-INCHES)

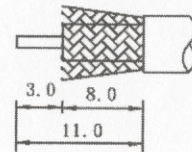
1. BRASS PER JIS-C3604
2. CONNECTOR INTERFACE PER MIL-STD-348A
3. PART TO BE CLEAN AND FREE BURRS
4. NICKEL PL 70 μ" THICK OVER COPPER STRIKE
5. GOLD PL 1-3 μ" OVER NICKEL PL 70 μ" THICK OVER COPPER STRIKE



6	Washer	Brass	Nickel
5	Ferrule	Brass	Nickel
4	Nut	Brass	Nickel
3	Insulator	Delrin	White
2	Contact	Brass	Gold
1	Body	Brass	Nickel
NO	Description	Material	Finish



Recommended Cable Stripping



- 1: Crimped Contact
Hex Crimp Size: .068"
- 2: Crimped Ferrule
Hex Crimp Size: .213"

744515