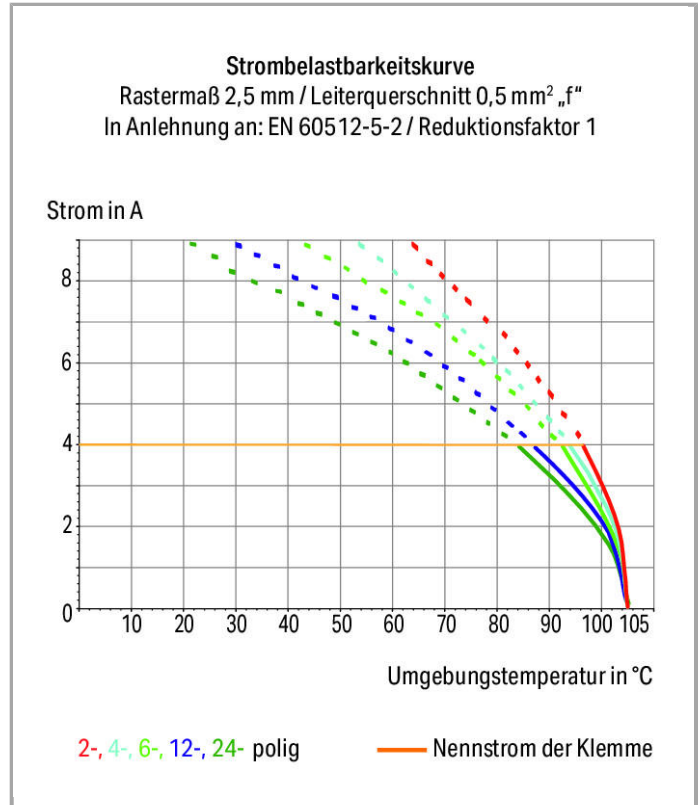


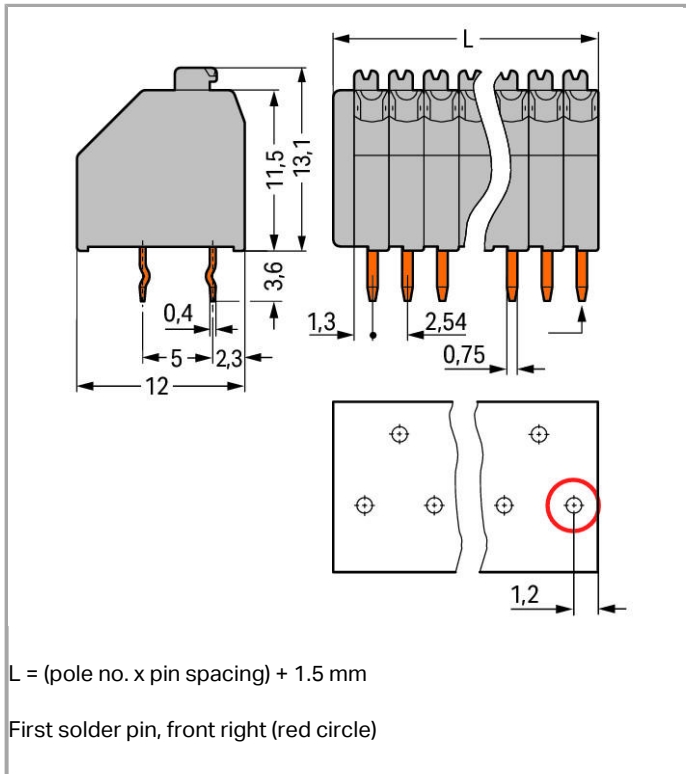
Data sheet | Item number: 250-1410/000-006

PCB terminal block; Push-button; 0.5 mm<sup>2</sup>; Pin spacing 2.54 mm; 10-pole;  
Push-in CAGE CLAMP®



[www.wago.com/250-1410/000-006](http://www.wago.com/250-1410/000-006)





### Item description

- Compact terminal strips with push-buttons
- Push-in termination for solid conductors
- Termination/removal of fine-stranded conductors via push-buttons
- 45° conductor entry angle provides easy, space-saving wiring
- Custom color combinations
- Terminal strips also available with spacers upon request

Other variants can be requested via the WAGO sales department or, if necessary, configured at <https://configurator.wago.com/>: Direct marking, Mixed-color terminal strips, Other colors, Other pole numbers, Terminal strips with spacers

### Data

#### Electrical data

#### Ratings per IEC/EN 60664-1

|                                 |        |
|---------------------------------|--------|
| Rated voltage (III / 3)         | 160 V  |
| Rated impulse voltage (III / 3) | 2.5 kV |
| Rated voltage (III / 2)         | 160 V  |
| Rated impulse voltage (III / 2) | 2.5 kV |
| Rated voltage (II / 2)          | 320 V  |
| Rated impulse voltage (II / 2)  | 2.5 kV |



|                  |   |
|------------------|---|
| Rated current    | 4 A   |
| Legend (ratings) | (III / 2) $\hat{=}$ Overvoltage category III / Pollution degree 2 |

### Approvals per UL 1059

|                                |       |
|--------------------------------|-------|
| Rated voltage UL (Use Group B) | 300 V |
| Rated current UL (Use Group B) | 5 A   |
| Rated voltage UL (Use Group D) | 300 V |
| Rated current UL (Use Group D) | 5 A   |

### Approvals per CSA

|                                 |       |
|---------------------------------|-------|
| Rated voltage CSA (Use Group B) | 300 V |
| Rated current CSA (Use Group B) | 5 A   |
| Rated voltage CSA (Use Group D) | 300 V |
| Rated current CSA (Use Group D) | 5 A   |

### Connection data

|                                   |  |
|-----------------------------------|--|
| Connection technology             | Push-in CAGE CLAMP <sup>®</sup>              |
| Actuation type                    | Push-button                                  |
| Solid conductor                   | 0.14 ... 0.5 mm <sup>2</sup> / 24 ... 20 AWG |
| Fine-stranded conductor           | 0.2 ... 0.5 mm <sup>2</sup> / 24 ... 20 AWG  |
| Conductor diameter                | 0.4 ... 0.8 mm                               |
| Strip length                      | 8.5 ... 9.5 mm / 0.33 ... 0.37 Inch          |
| Conductor entry angle to the PCB  | 45°  |
| No. of poles                      | 10   |
| Total number of connection points | 10   |
| Total number of potentials        | 10   |
| Number of connection types        | 1  |
| Number of levels                  | 1  |

### Geometrical Data

|                                   |                         |
|-----------------------------------|-------------------------|
| Pin spacing                       | 2.54 mm (0.1 inch)      |
| Width                             | 26.9 mm / 1.059 inch    |
| Height                            | 16.7 mm / 0.657 inch    |
| Height from the surface           | 13.1 mm / 0.516 inch    |
| Depth                             | 12 mm / 0.472 inch      |
| Solder pin length                 | 3.6 mm                  |
| Solder pin dimensions             | 0.4 x 0.75 mm           |
| Drilled hole diameter (tolerance) | 1 <sup>(+ 0.1)</sup> mm |

## PCB contact

|                                     |   |
|-------------------------------------|---|
| PCB contact                         | THT                                       |
| Solder pin arrangement              | over the entire terminal strip, staggered |
| Number of solder pins per potential | 1   |

## Material Data

|                             |                      |
|-----------------------------|----------------------|
| Color                       | blue                 |
| Material group              | I                    |
| Insulating material         | Polyamide 66 (PA 66) |
| Flammability class per UL94 | V0                   |
| Clamping spring material    | Copper alloy         |
| Contact plating             | tin-plated           |
| Fire load                   | 0.076 MJ             |
| Weight                      | 3.667 g              |

## Environmental Requirements

|                         |                 |
|-------------------------|-----------------|
| Limit temperature range | -60 ... +105 °C |
|-------------------------|-----------------|

## Commercial data


|                    |                     |
|--------------------|---------------------|
| Country of origin  | CH                  |
| GTIN               | 4044918643306       |
| Customs Tariff No. | 85369010000         |
| Product Group      | 4 (Printed Circuit) |

## Approvals / Certificates

### Country specific Approvals

| Logo   | Approval                        | Certificate name |
|--|---------------------------------|------------------|
|  | CSA<br>DEKRA Certification B.V. | 1132097          |

### UL-Approvals

| Logo   | Approval                            | Certificate name |
|--|-------------------------------------|------------------|
|  | UL<br>UL International Germany GmbH | E45172 sec. 6    |

## Compatible products

### check



**Item no.: 735-500**

Test pin; with solder connection for test wire

[www.wago.com/735-500](http://www.wago.com/735-500)

### tools



**Item no.: 210-647**

Operating tool with partially insulated shaft; Blade (2.5 x 0.4) mm; short

[www.wago.com/210-647](http://www.wago.com/210-647)



**Item no.: 210-719**

Operating tool with partially insulated shaft; Type 1, blade (2.5 x 0.4) mm

[www.wago.com/210-719](http://www.wago.com/210-719)

### Marking accessories



**Item no.: 210-331/254-202**

Marking strips; as a DIN A4 sheet; MARKED; 1-16 (400x); Height of marker strip: 2.3 mm/0.091 in; Strip length 182 mm; Horizontal marking; Self-adhesive

[www.wago.com/210-331/254-202](http://www.wago.com/210-331/254-202)



**Item no.: 210-331/254-204**

Marking strips; as a DIN A4 sheet; MARKED; 17-32 (400x); Height of marker strip: 2.3 mm/0.091 in; Strip length 182 mm; Horizontal marking; Self-adhesive

[www.wago.com/210-331/254-204](http://www.wago.com/210-331/254-204)



**Item no.: 210-331/254-206**

Marking strips; as a DIN A4 sheet; MARKED; 33-48 (400x); Height of marker strip: 2.3 mm/0.091 in; Strip length 182 mm; Horizontal marking; Self-adhesive

[www.wago.com/210-331/254-206](http://www.wago.com/210-331/254-206)



**Item no.: 210-331/254-207**

Marking strips; as a DIN A4 sheet; MARKED; 1-48 (100x); Height of marker strip: 2.3 mm/0.091 in; Strip length 182 mm; Horizontal marking; Self-adhesive

[www.wago.com/210-331/254-207](http://www.wago.com/210-331/254-207)

## Downloads

### smartDATA

#### PCB libraries

|   |                      |                |          |
|---|----------------------|----------------|----------|
| DesignSpark Library for WAGO PCB Terminal Blocks<br>Compatible with DesignSpark PCB Version 4.x or higher     | 2.1<br>Oct 6, 2014   | ZIP<br>22.5 MB | Download |
| EAGLE Library for WAGO PCB Terminal Blocks<br>Compatible with EAGLE PCB Design Software Version 6.x or higher | 2.1<br>Nov 17, 2017  | ZIP<br>23.9 MB | Download |
| TARGET Library for WAGO PCB Terminal Blocks<br>Compatible with TARGET PCB Design Software Version 17.x        | 1.1.0<br>Oct 6, 2014 | ZIP<br>27.1 MB | Download |

#### CAD data

|                              |     |          |
|------------------------------|-----|----------|
| 3D Download 250-1410/000-006 | URL | Download |
|------------------------------|-----|----------|



Subject to changes.

---

WAGO Kontakttechnik GmbH & Co. KG  
Hansastr. 27  
32423 Minden  
Phone: +49571 887-0 | Fax: +49571 887-169  
Email: [info.de@wago.com](mailto:info.de@wago.com) | Web: [www.wago.com](http://www.wago.com)

Do you have any questions about our products?  
We are always happy to take your call at +49 (571) 887-44222.