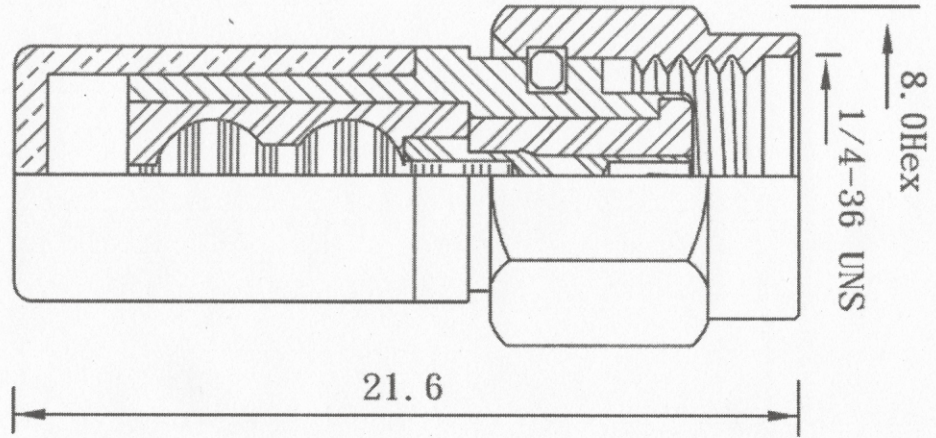


NOTE: FINISH (PLATING THICKNESS IN MICRO-INCHES)

1. BRASS PER JIS-C3604
2. TEFLON MIL-P-19468
3. CONNECTOR INTERFACE PER MIL-STD-348A
4. PART TO BE CLEAN AND FREE BURRS
5. GOLD PL 1-3 μ " OVER NICKEL PL 70 μ " THICK OVER COPPER STRIKE



5	Terminator	50 Ω	1/4w +/-1%
4	Shell	Brass	Gold
3	Insulator	Teflon	White
2	Contact	Brass	Gold
1	Body	Brass	Gold
NO	Description	Material	Finish

744771