

# Flush-type connector - SACC-SQ-M12MS-5CON-25F/0,5 - 1440973

Please be informed that the data shown in this PDF Document is generated from our Online Catalog. Please find the complete data in the user's documentation. Our General Terms of Use for Downloads are valid (<http://download.phoenixcontact.com>)



Sensor/Actuator flush-type plug, 5-pos., M12, A-coded, front/square flange mounting, with 0.5 m TPE litz wire, 5 x 0.34 mm<sup>2</sup>

## Product Features

- 4 x fixing hole, 2.7 mm
- With form seal for M2.5 screws



## Key commercial data

package_quantity	1
GTIN	4046356533836

## Technical data

### Dimensions

Length of cable	0.5 m
-----------------	-------

### Ambient conditions

Ambient temperature (operation)	-25 °C ... 85 °C (Plug / socket)
Degree of protection	IP67

### General

Rated current at 40 °C	4 A
Rated voltage	60 V
Number of positions	5
Contact resistance	≤ 3 mΩ
Insulation resistance	≥ 100 MΩ
Coding	A - standard
Standards/regulations	M12 connector IEC 61076-2-101
Status display	No
Surge voltage category	II
Pollution degree	3
Test voltage	1.5 kV
Connection method	Individual wires

# Flush-type connector - SACC-SQ-M12MS-5CON-25F/0,5 - 1440973

## Technical data

### General

<b>Mounting type</b>	Front mounting Square flange
----------------------	------------------------------

### Material

<b>Inflammability class according to UL 94</b>	V0
<b>Contact material</b>	CuZn
<b>Contact surface material</b>	Ni/Au
<b>Contact carrier material</b>	PA 66
<b>Material, knurls</b>	Zinc die-cast, nickel-plated
<b>Sealing material</b>	NBR

### Cable

<b>Cable type</b>	TPE litz wire
<b>Conductor cross section</b>	0.34 mm <sup>2</sup>
<b>AWG signal line</b>	22
<b>Wire colors</b>	Brown, white, blue, black, gray
<b>Conductor material</b>	Tin-plated Cu litz wires
<b>Ambient temperature (operation)</b>	-25 °C ... 90 °C (cable, fixed installation)

## classifications

### eCl@ss

<b>eCl@ss 4.0</b>	27140815
<b>eCl@ss 4.1</b>	27140815
<b>eCl@ss 5.0</b>	27143423
<b>eCl@ss 5.1</b>	27143423
<b>eCl@ss 6.0</b>	27279220
<b>eCl@ss 7.0</b>	27440103
<b>eCl@ss 8.0</b>	27440103

### ETIM

<b>ETIM 2.0</b>	EC001297
<b>ETIM 3.0</b>	EC002061
<b>ETIM 4.0</b>	EC002061
<b>ETIM 5.0</b>	EC002061

### UNSPSC

<b>UNSPSC 6.01</b>	31251501
<b>UNSPSC 7.0901</b>	31251501
<b>UNSPSC 11</b>	31251501
<b>UNSPSC 12.01</b>	31251501
<b>UNSPSC 13.2</b>	39121413

# Flush-type connector - SACC-SQ-M12MS-5CON-25F/0,5 - 1440973

## approvals

UL Recognized / GOST / GOST /

### Approval details

<b>UL Recognized</b>	
Nominal voltage UN	60 V
Nominal current IN	4 A
mm <sup>2</sup> /AWG/kcmil	26-20

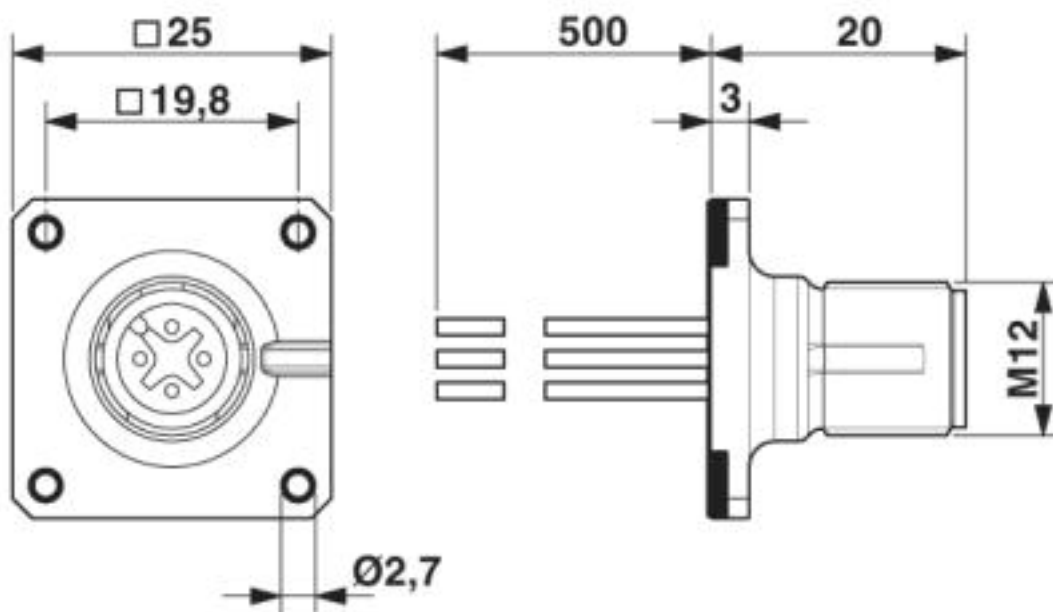
<b>GOST</b>
-------------

--

## Drawings

### Dimensioned drawing



M12 flush-type plug

# Flush-type connector - SACC-SQ-M12MS-5CON-25F/0,5 - 1440973

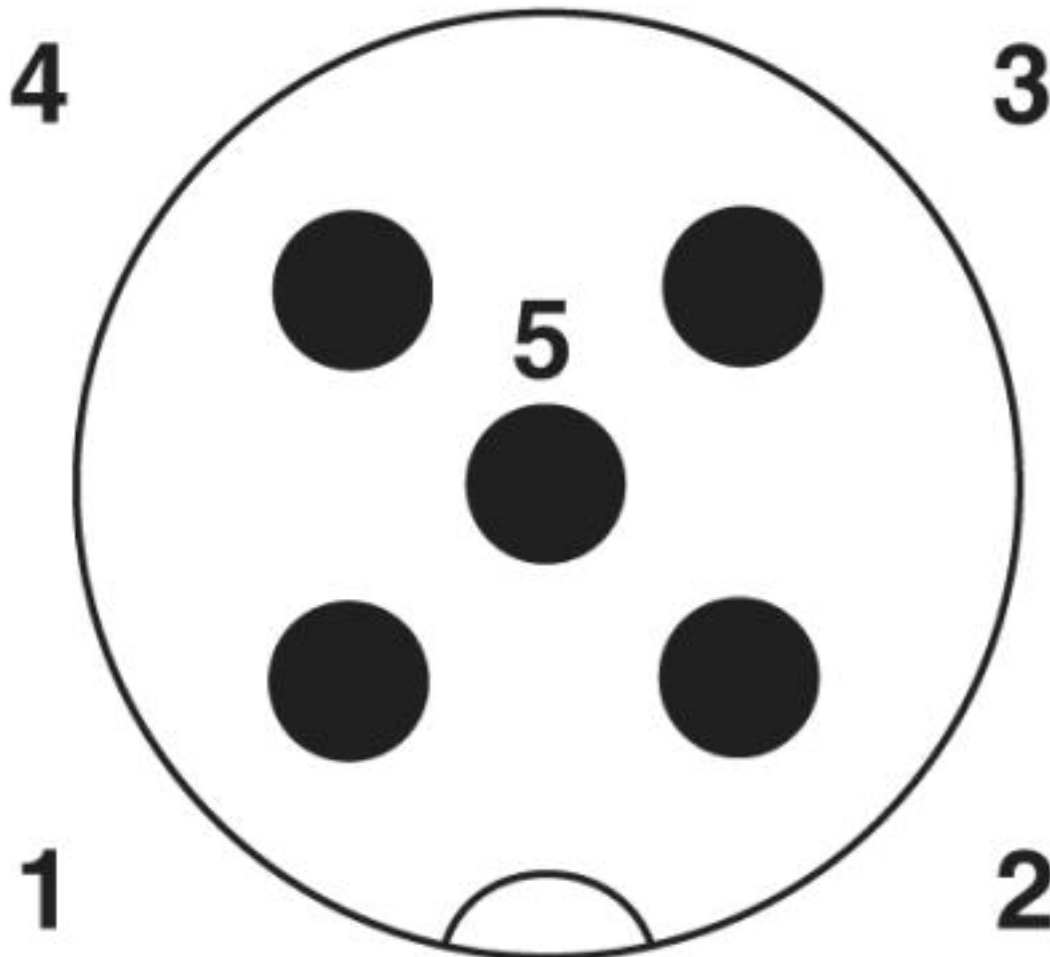
Circuit diagram



Contact assignment of the M12 plug and the M12 socket

# Flush-type connector - SACC-SQ-M12MS-5CON-25F/0,5 - 1440973

Schematic diagram



Pin assignment M12 male connector, 5-pos., A-coded, male side

© Phoenix Contact 2013 - all rights reserved  
<http://www.phoenixcontact.com>