

Flush-type connector - SACC-SQ-M12MS-8CON-25F/0,5 - 1441561

Please be informed that the data shown in this PDF Document is generated from our Online Catalog. Please find the complete data in the user's documentation. Our General Terms of Use for Downloads are valid (<http://download.phoenixcontact.com>)



Sensor/Actuator flush-type plug, 8-pos., M12, A-coded, front/square flange mounting, with 0.5 m TPE litz wire, 8 x 0.25 mm²

Product Features

- 4 x fixing hole, 2.7 mm
- With form seal for M2.5 screws



Key commercial data

package_quantity	1
GTIN	4046356533874

Technical data

Dimensions

Length of cable	0.5 m
-----------------	-------

Ambient conditions

Ambient temperature (operation)	-25 °C ... 85 °C (Plug / socket)
Degree of protection	IP67

General

Rated current at 40 °C	2 A
Rated voltage	30 V
Number of positions	8
Contact resistance	≤ 3 mΩ
Insulation resistance	≥ 100 MΩ
Coding	A - standard
Standards/regulations	M12 connector IEC 61076-2-101
Status display	No
Surge voltage category	II
Pollution degree	3
Connection method	Individual wires
Mounting type	Front mounting Square flange

Flush-type connector - SACC-SQ-M12MS-8CON-25F/0,5 - 1441561

Technical data

Material

Inflammability class according to UL 94	V0
Contact material	CuZn
Contact surface material	Ni/Au
Contact carrier material	PA 66
Material, knurls	Zinc die-cast, nickel-plated
Sealing material	NBR

Cable

Cable type	TPE litz wire
Conductor cross section	0.25 mm ²
AWG signal line	24
Wire colors	Brown, blue, white, gray, pink, green, yellow, red
Conductor material	Tin-plated Cu litz wires
Ambient temperature (operation)	-25 °C ... 90 °C (cable, fixed installation)

classifications

eCl@ss

eCl@ss 4.0	27140815
eCl@ss 4.1	27140815
eCl@ss 5.0	27143423
eCl@ss 5.1	27143423
eCl@ss 6.0	27279220
eCl@ss 7.0	27440103
eCl@ss 8.0	27440103

ETIM

ETIM 2.0	EC001297
ETIM 3.0	EC002061
ETIM 4.0	EC002061
ETIM 5.0	EC002061

UNSPSC

UNSPSC 6.01	31251501
UNSPSC 7.0901	31251501
UNSPSC 11	31251501
UNSPSC 12.01	31251501
UNSPSC 13.2	39121413

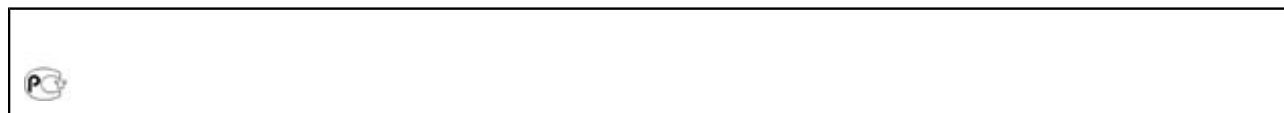
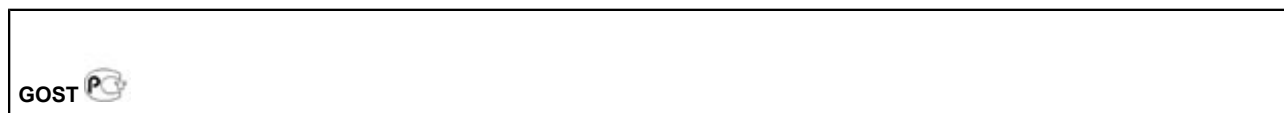
approvals

Flush-type connector - SACC-SQ-M12MS-8CON-25F/0,5 - 1441561

approvals

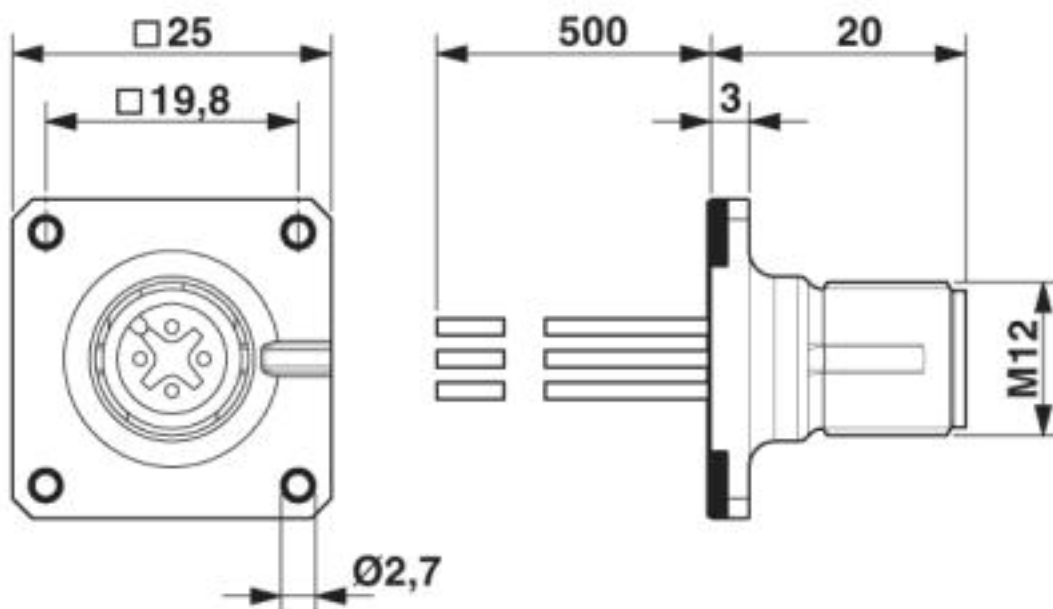
Approval details

UL Recognized	
Nominal voltage UN	30 V
Nominal current IN	2 A
mm ² /AWG/kcmil	26-20



Drawings

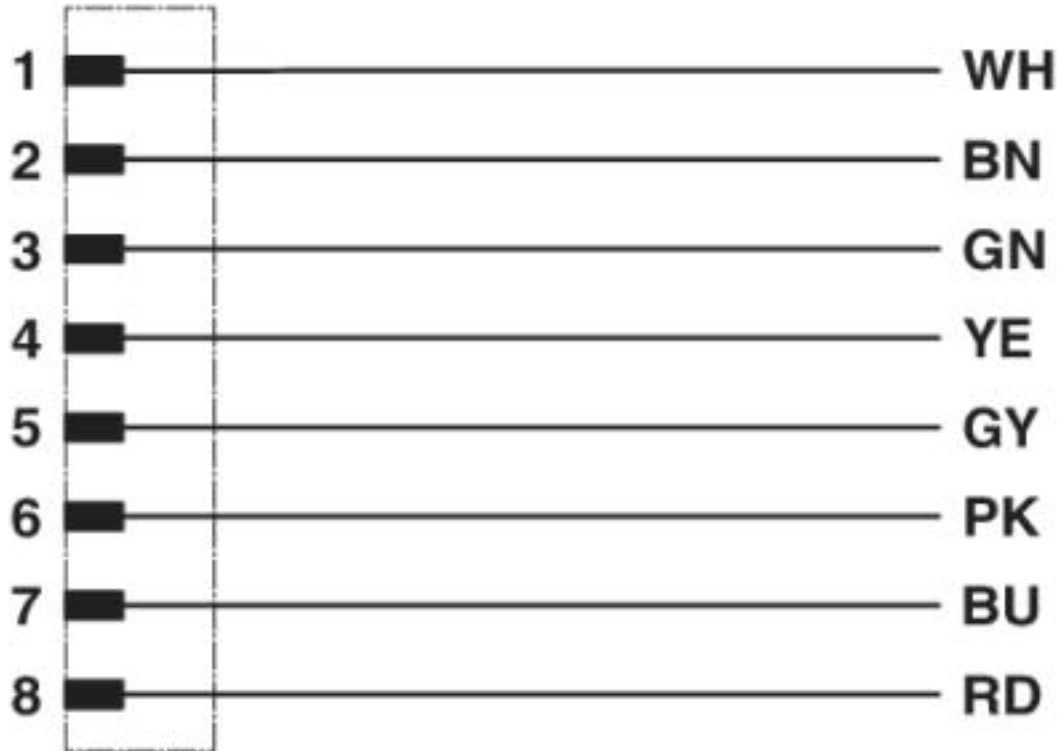
Dimensioned drawing



M12 flush-type plug

Flush-type connector - SACC-SQ-M12MS-8CON-25F/0,5 - 1441561

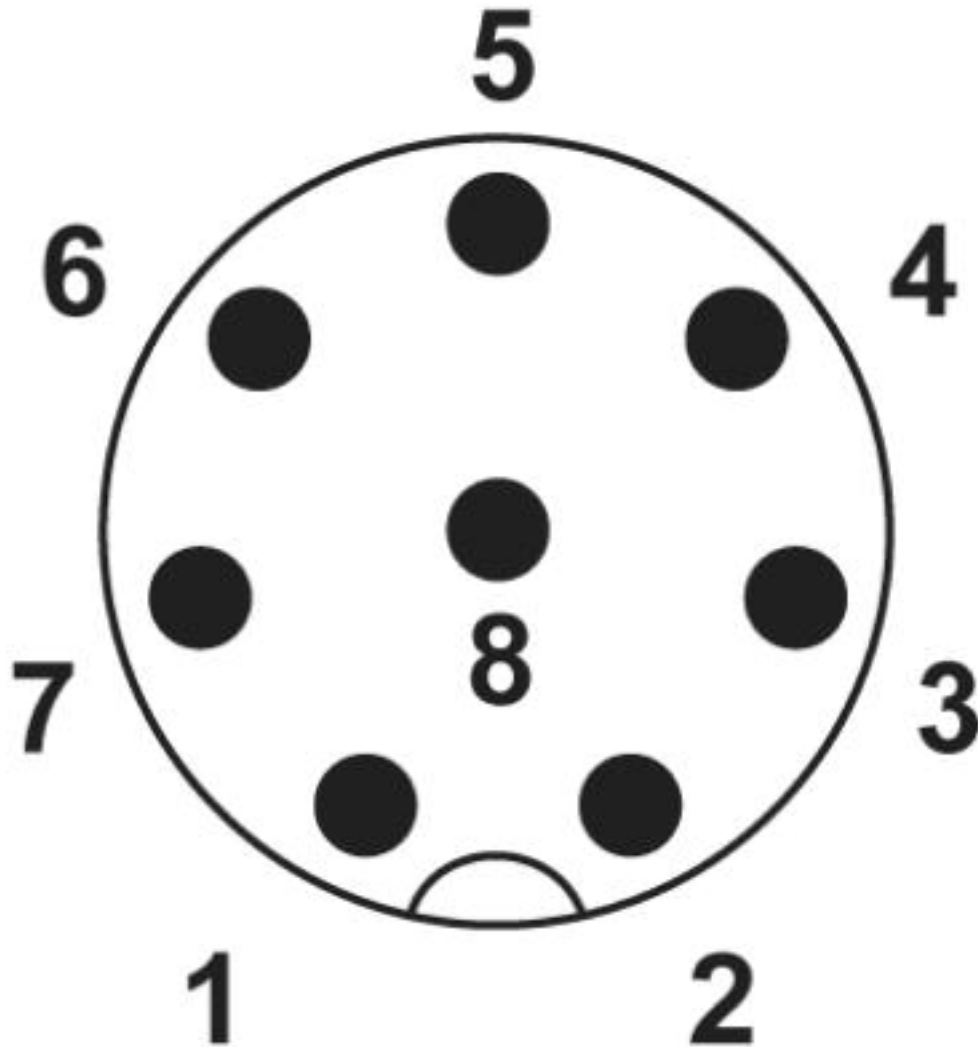
Circuit diagram



Contact assignment of the M12 plug and the M12 socket

Flush-type connector - SACC-SQ-M12MS-8CON-25F/0,5 - 1441561

Schematic diagram



Pin assignment M12 plug, 8-pos., view plug side

© Phoenix Contact 2013 - all rights reserved
<http://www.phoenixcontact.com>