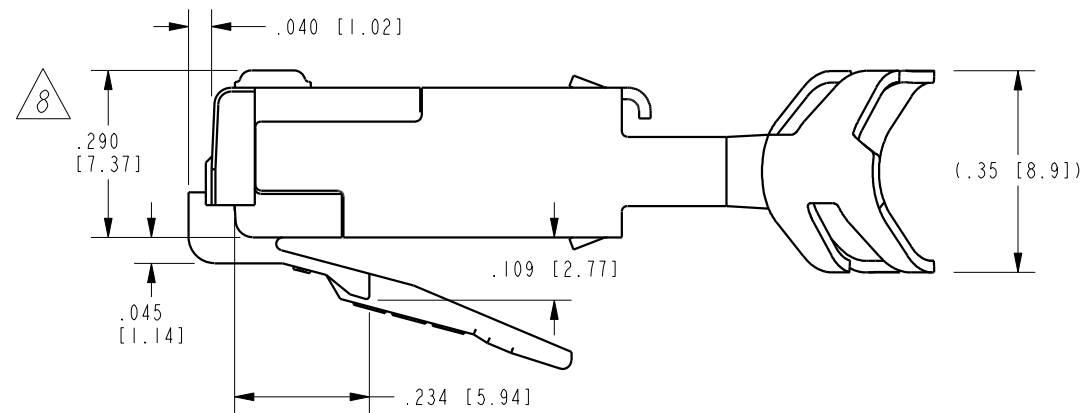
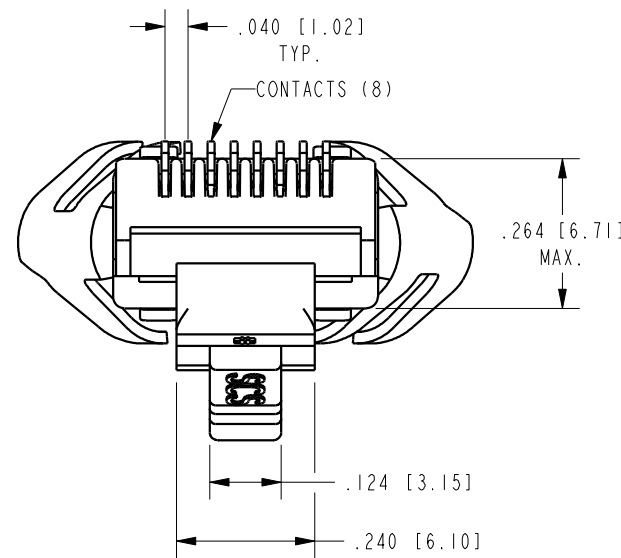
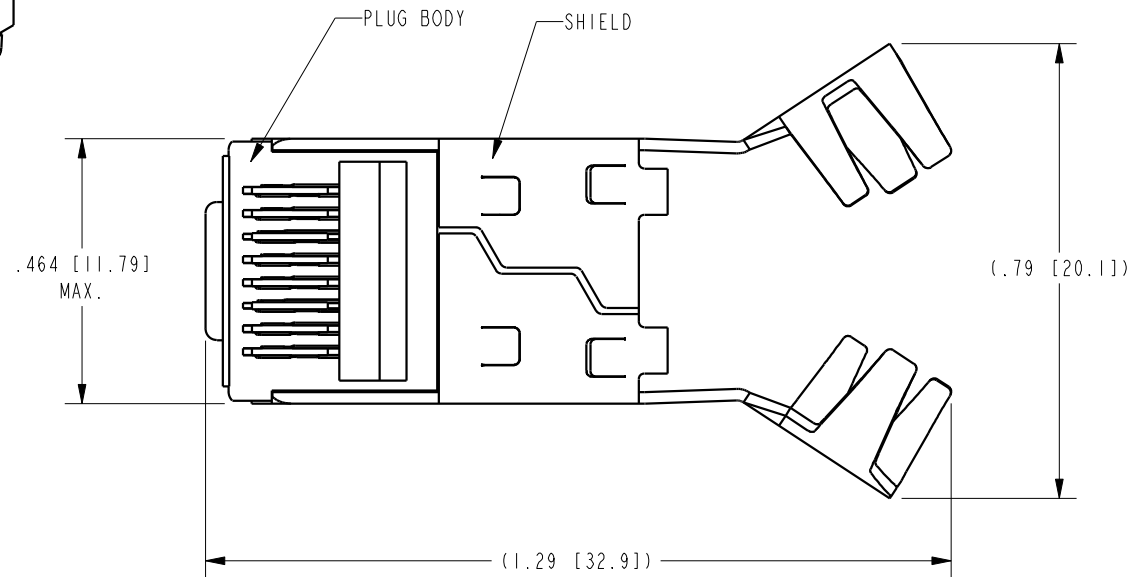
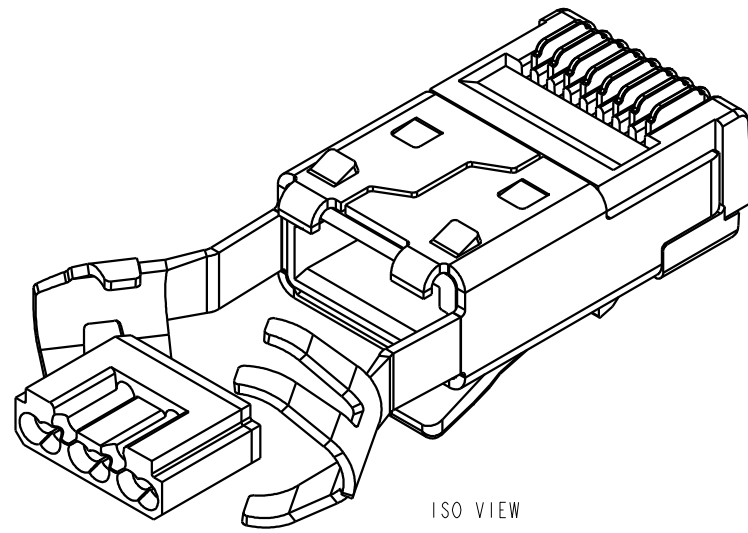
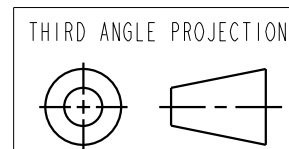
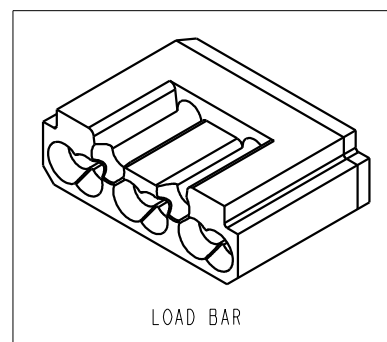


DATE	REV.	ECN	APP'D BY
1-6-06	B1	7426	TRM
7-10-09	B2	8779	TRM
5-30-12	B3	9480	SMN
2-17-15	B4	10259	ADB



- NOTES:
- PLUG KIT CONSISTS OF:
PRE-INSERTED PLUG BODY WITH SHIELD
LOAD BAR
 - MATERIALS:
PLUG BODY: CLEAR POLYCARBONATE, UL 94-V0
LOAD BAR: BLACK POLYCARBONATE, UL 94-V0
CONTACTS: COPPER ALLOY, SELECTIVE GOLD PLATING
SHIELD: COPPER ALLOY, NICKEL PLATE
 - FOR PRODUCT SPECIFICATIONS SEE PR026-01.
 - CONTACTS TERMINATE SOLID OR STRANDED CONDUCTORS BETWEEN .037 [0.94] TO .042 [1.07] OUTSIDE DIAMETER OF INSULATION.
 - CRIMP IS FOR CABLES WITH OUTSIDE NOMINAL DIAMETERS OF .220 [5.59] TO .240 [6.10].
 - PRODUCT DESIGNED FOR CATEGORY 6 APPLICATIONS.
 - DIMENSIONS AND TOLERANCES COMPLY WITH TIA-1096 STANDARD.
 - △ 8 TERMINATED PLUG HEIGHT: .237 [6.02] ±.005 [0.13].

BULK	50 MICRO-INCHES [1.27um]	SS-39200-012
PACKAGE	CONTACT PLATING IN MATING AREA	PART NUMBER



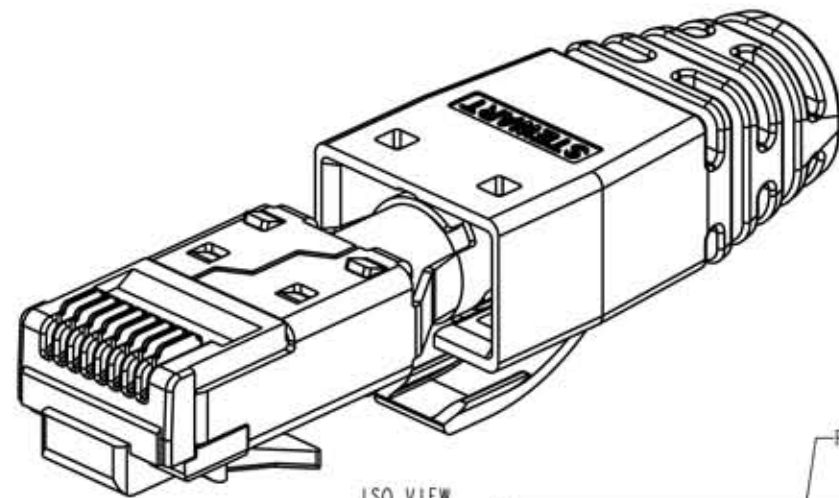
11118 Susquehanna Trail South
Glen Rock, PA 17327-9199
(717) 235-7512
<http://www.stewartconnector.com>

DO NOT SCALE DRAWING
DRAWING IS SUBJECT TO CHANGE WITHOUT NOTICE
DIMENSIONS: INCHES [METRIC]
UNLESS OTHERWISE SPECIFIED TOLERANCES ARE ±.005 [0.13] ANGLES ARE ±1°
SHEET NO. 1 OF 1

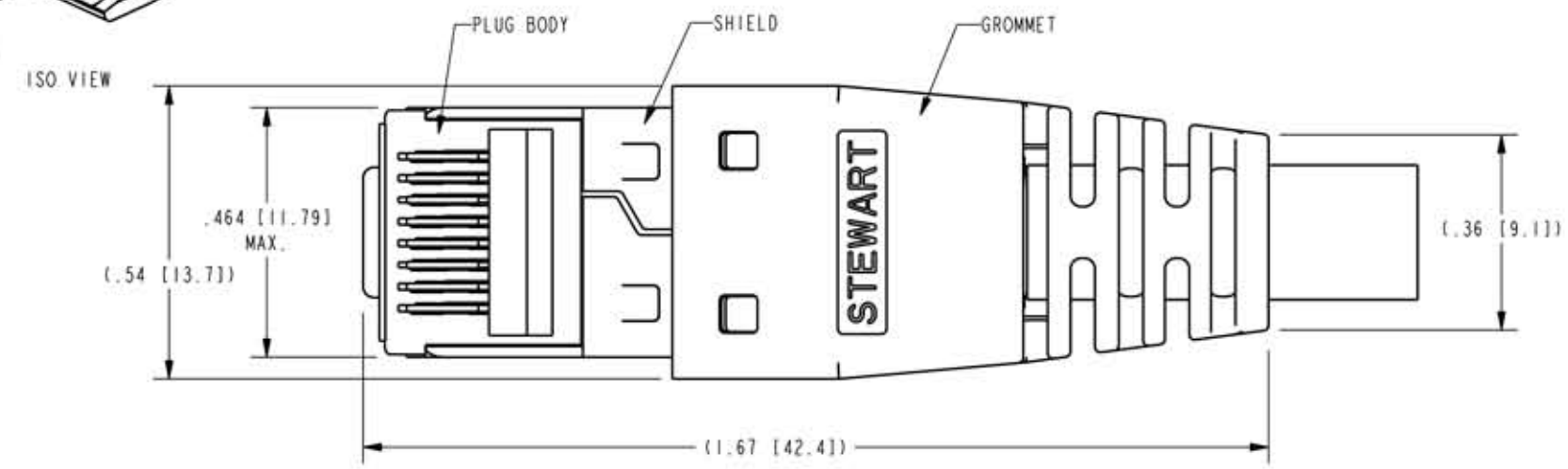
TITLE: 8 CONDUCTOR, 8 POSITION SHIELDED CAT 6 PLUG WITH LOAD BAR
THIS DRAWING AND THE SUBJECT MATTER SHOWN THEREON ARE CONFIDENTIAL AND THE PROPRIETARY PROPERTY OF STEWART CONNECTOR AND SHALL NOT BE REPRODUCED, COPIED, OR USED IN ANY MANNER WITHOUT PRIOR WRITTEN CONSENT OF STEWART CONNECTOR. THIS PRODUCT MAY BE PROTECTED BY ONE OR MORE OF THE FOLLOWING US PATENTS:
5628647 6402559 6409535 6524128
7753717 8033863
OTHER PATENTS MAY BE PENDING.

DRN BY:	TRM	DATE	4-1-05
APPD BY:	RGC	DATE	4-1-05
DWG. NO.	CT390039	REV.	B4

DATE	REV.	ECN	APP'D BY
4-25-06	B4	7598	TRM
7-10-09	B5	8779	TRM

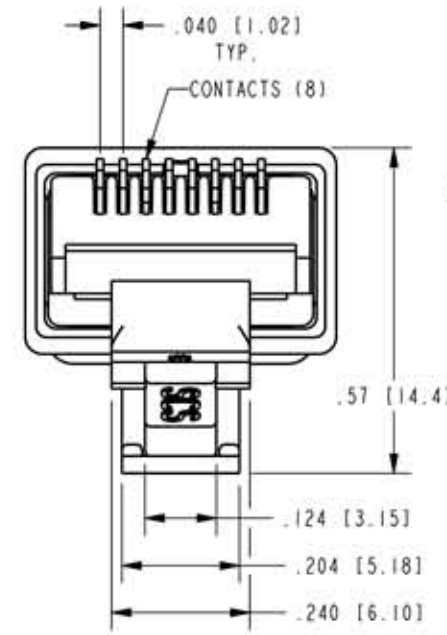


B

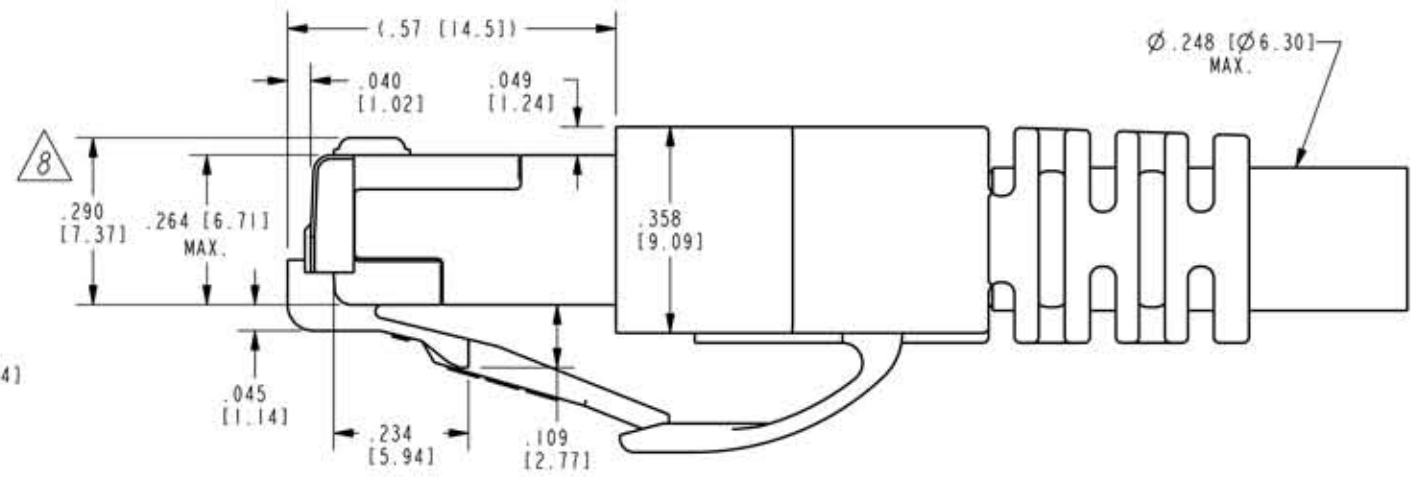


- NOTES:
- PLUG KIT CONSISTS OF:
PRE-INSERTED PLUG BODY WITH SHIELD
LOAD BAR
GROMMET
 - MATERIALS:
PLUG BODY: CLEAR POLYCARBONATE, UL 94-V0
LOAD BAR: BLACK POLYCARBONATE, UL 94-V0
GROMMET: POLYCARBONATE, UL 94-V0
CONTACTS: COPPER ALLOY, SELECTIVE GOLD PLATING
SHIELD: COPPER ALLOY, NICKEL PLATE
 - FOR PRODUCT SPECIFICATION SEE PR026-01.
 - CONTACTS TERMINATE SOLID OR STRANDED CONDUCTORS BETWEEN .037 [0.94] TO .042 [1.07] OUTSIDE DIAMETER OF INSULATION.
 - CRIMP IS FOR CABLES WITH OUTSIDE NOMINAL DIAMETERS OF .232 [5.90] TO .248 [6.30].
 - PRODUCT DESIGNED FOR CATEGORY 6 APPLICATIONS.
 - TOLERANCES COMPLY WITH F.C.C. DIMENSION REQUIREMENTS.
 - △ TERMINATED PLUG HEIGHT: .237 [6.02] ±.005 [0.13].

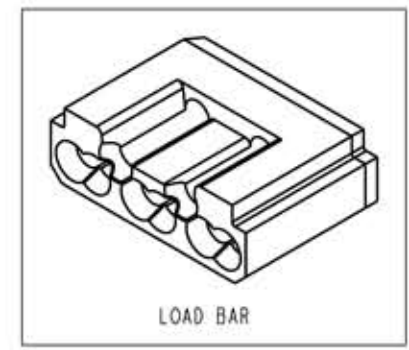
B



A



A



THIRD ANGLE PROJECTION

DO NOT SCALE DRAWING
DRAWING IS SUBJECT TO CHANGE WITHOUT NOTICE

DIMENSIONS: INCHES [METRIC]

UNLESS OTHERWISE SPECIFIED
TOLERANCES ARE ±.005 [0.13]
ANGLES ARE ±1°

SHEET NO. 1 OF 1

Bel Stewart Connector

11118 Susquehanna Trail South
Glen Rock, PA 17327-9199
(717) 235-7512 Fax: (717) 235-7954 <http://www.stewartconnector.com>

TITLE: 8 CONDUCTOR, 8 POSITION SHIELDED CAT6/6A PLUG WITH LOAD BAR, CRIMP STYLE AND GROMMET

DRN BY:	TRM	DATE	1-20-05
APPD BY:	DHG	DATE	1-21-05
DWG. NO.	CT390037	REV.	B5

THIS DRAWING AND THE SUBJECT MATTER SHOWN THEREON ARE CONFIDENTIAL AND THE PROPRIETARY PROPERTY OF BEL STEWART CONNECTOR AND SHALL NOT BE REPRODUCED, COPIED, OR USED IN ANY MANNER WITHOUT PRIOR WRITTEN CONSENT OF BEL STEWART CONNECTOR. THE SUBJECT MATTER MAY BE PATENTED OR A PATENT MAY BE PENDING.

REV. 7/3/03