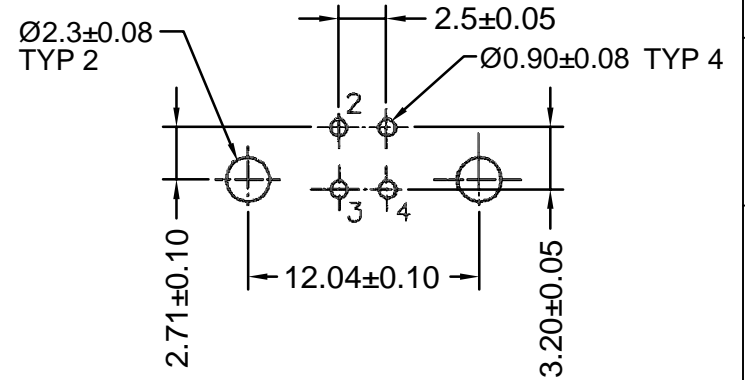
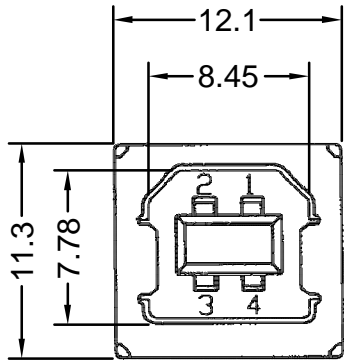


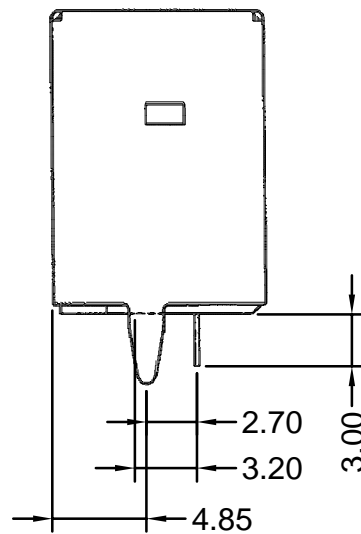
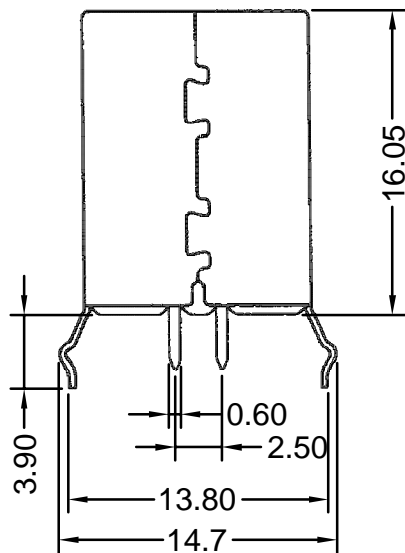
RoHS Compliant

**Materials:**

Insulation: PBT+30% G.F UL 94V-0.  
 Contacts: Phosphor Bronze.  
 Shell: Brass  
 Shell Plating: 80U" Nickel over 50U" Cu.



Recommended P.C. Board Layout



UNLESS OTHERWISE SPEC  
 TOLERANCE  
 .X ±0.30  
 .XX ±0.20  
 .XXX ±0.10  
 UNIT: MM

	Date	Name	Part-No.	
Drawn	25.03.06	Alex	A-USB B-TOP-C	
			Drawing-No.	Sheet
<b>ASSMANN</b> WSW Components			ASS 1370C CO	1/1
			Replace dd 31.03.05	Sheet