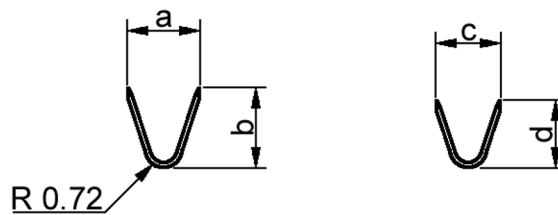
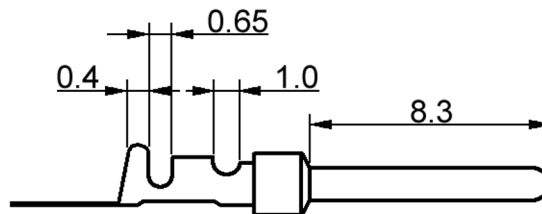
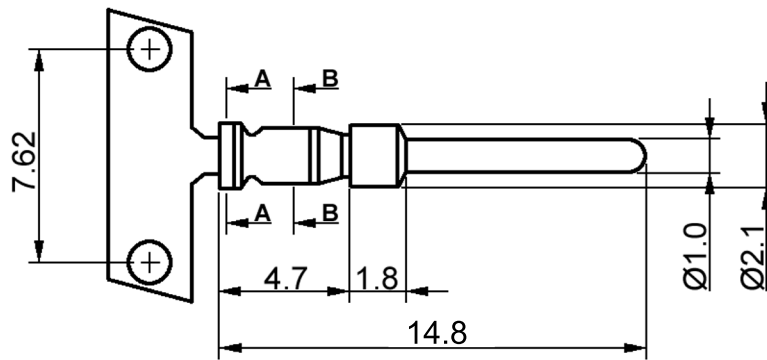


No.	Changes and/or Note No.	Date	Sign	No.	Changes and/or Note No.	Date	Sign
				01	Revised measurement	130220	MRR



Unit: mm

Dimension

	a	b	c	d
AWG 20~22	2.20	2.70	2.00	2.13
AWG 24~28	2.14	2.26	1.75	1.54
AWG 28~30	1.90	1.72	1.67	1.48

How to order

Part No.	Wire option	Contact Plating	Packing
2101-0199-01	AWG 24-28	Goldflash	5000pcs / REEL
2101-0199-02	AWG 20-22		
on request	AWG 28-30		

DATE 2012-08-16	DRAWN MRR	SCALE	MATERIAL TYPE
	APPROVED		REPLACES
Sub-D Crimp Cable Connector MALE			DRAWING No. 2101-0199-0x