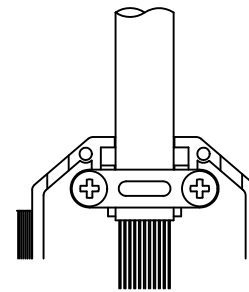
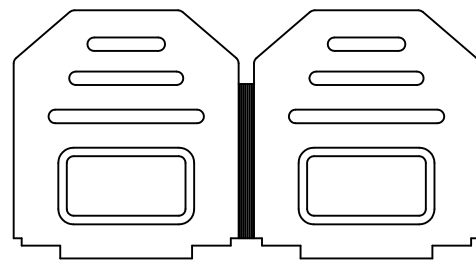
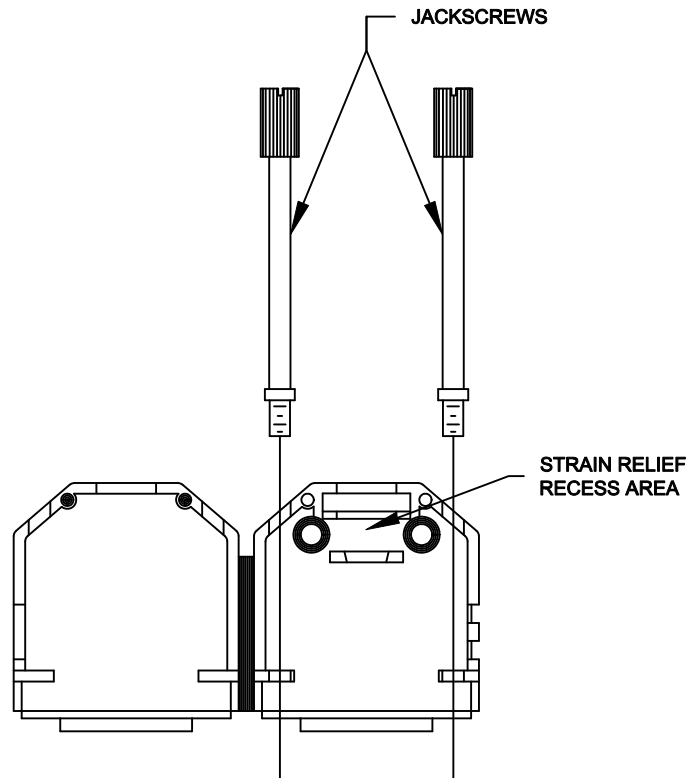
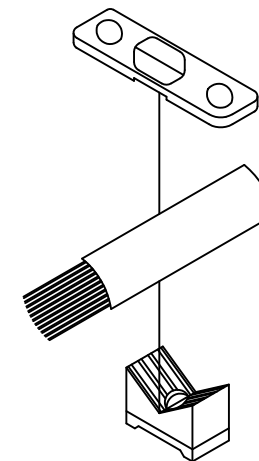


ASSEMBLY INSTRUCTIONS:

1. PREPARE CABLE ENDS, CONNECT TO CONNECTOR
2. SNAP JACKSCREWS INTO PLACE.
3. SNAP STRAIN RELIEF INTO STRAIN RELIEF RECESS AREA ON RIGHT SIDE OF HOOD.
4. PLACE CABLE OVER STRAIN RELIEF MAKING SURE CABLE JACKET IS BELOW STRAIN RELIEF.
5. PLACE CABLE CLAMP OVER CABLE. USING SCREWS PROVIDED TIGHTEN CABLE CLAMP INTO PLACE. CABLE CLAMP MAY BE INSERTED UP SIDE DOWN FOR SMALLER CABLES.
6. PLACE CONNECTOR INTO THE RIGHT HALF OF THE BACKSHELL .
7. SNAP THE TWO HALVES OF THE HOOD TOGETHER MAKING SURE NO WIRES ARE PINCHED AND THE TWO PLASTIC SNAP PINS AT CABLE ENTRY ARE SEATED.



ITEM No. 3, 4 & 5



STRAIN RELIEF CLAMP



STRAIN RELIEF SCREW

STRAIN RELIEF

PLASTIC

THESE DRAWINGS AND SPECIFICATIONS ARE THE PROPERTY OF MH CONNECTORS LTD. AND SHALL NOT BE REPRODUCED, COPIED OR USED AS THE BASIS FOR THE MANUFACTURE OR SALE OF APPARATUS WITHOUT WRITTEN PERMISSION.

DRAWN P. JENKINS	DATE 03-23-12
---------------------	------------------

APPROVED D. CROFT	DATE 03-23-12
----------------------	------------------

SCALE NTS	SHEET OF 1 OF 1	REV: A
--------------	--------------------	-----------

DRAWING No
MHDPPK-SLIM ASSEMBLY



MH CONNECTORS LTD.