

# Surge protection device - C-TV-SAT - 2856993

Please be informed that the data shown in this PDF Document is generated from our Online Catalog. Please find the complete data in the user's documentation. Our General Terms of Use for Downloads are valid (<http://download.phoenixcontact.com>)



Attachment plug with surge protection for antenna inputs with F connector

## Product Features

- Protective adapter for antenna connections
- TV or F connector
- Use on broadband cable or SAT connection

## Key commercial data

<b>package_quantity</b>	1
<b>GTIN</b>	4017918915179

## Technical data

### Dimensions

<b>Height</b>	44 mm
<b>Width</b>	28 mm
<b>Depth</b>	66 mm

### Ambient conditions

<b>Ambient temperature (operation)</b>	-25 °C ... 75 °C
<b>Degree of protection</b>	IP20

### General

<b>Housing material</b>	PA
<b>Inflammability class according to UL 94</b>	V0
<b>Color</b>	black
<b>Standards for air and creepage distances</b>	DIN VDE 0110-1
<b>Standards for air and creepage distances</b>	IEC 60664-1
<b>Surge voltage category</b>	II
<b>Pollution degree</b>	2
<b>Mounting type</b>	Connection-specific intermediate plugging
<b>Design</b>	Attachment plug
<b>Number of positions</b>	1
<b>Direction of action</b>	Line-Shield/Earth Ground

### Protective circuit

# Surge protection device - C-TV-SAT - 2856993

## Technical data

### Protective circuit

IEC test classification	C1
IEC test classification	C2
IEC test classification	C3
IEC test classification	D1
Maximum continuous operating voltage $U_c$	180 V DC
Maximum continuous operating voltage $U_c$	130 V AC
Maximum continuous voltage $U_c$ (wire-shield)	180 V DC
Nominal current $I_N$	1.5 A (25 °C)
Operating effective current $I_c$ at $U_c$	$\leq 1 \mu A$
Nominal discharge current $I_n$ (8/20) $\mu s$ (Core-Shield)	2.5 kA
Total surge current (8/20) $\mu s$	2.5 kA
Nominal pulse current $I_{an}$ (10/1000) $\mu s$ (Core-Shield)	120 A
Output voltage limitation at 1 kV/ $\mu s$ (Core-Shield) spike	$\leq 600 V$
Output voltage limitation at 1 kV/ $\mu s$ (Core-Shield) static	$\leq 600 V$
Residual voltage at $I_n$ , (conductor-shield)	$\leq 30 V$
Voltage protection level $U_p$ (Core-Shield)	$\leq 700 V$ (C2 (4 kV/2 kA))
Response time $t_A$ (Core-GND)	$\leq 100 ns$
Input attenuation $a_E$ , asym.	0.5 dB ( $\leq 2.4 GHz$ )
Cut-off frequency $f_g$ (3 dB), asym. (shield) in 75 Ohm system	$> 3 GHz$
Frequency range	4.7 MHz ... 2.5 GHz
Capacity asymmetrical (shield)	typ. 10 pF
Surge carrying capacity in acc. with IEC 61643-21 (Core-Shield)	C2 (4 kV / 2 kA)
Surge carrying capacity in acc. with IEC 61643-21 (Core-Shield)	C3 (100 A)
Surge carrying capacity in acc. with IEC 61643-21 (Core-Shield)	D1 (500 A)
Alternating current carrying capacity in acc. with IEC 61643-21 (Core-Shield)	5 A - 1 s

### Connection data

Connection method	F connector
Connection type IN	F connector, female
Connection type OUT	F connector, female

### Standards and Regulations

Standards/regulations	IEC 61643-21
Standards/regulations	EN 50083 - CLASS A

## classifications

### eCl@ss

eCl@ss 4.0	27140201
eCl@ss 4.1	27130801

# Surge protection device - C-TV-SAT - 2856993

## classifications

### eCl@ss

eCl@ss 5.0	27130801
eCl@ss 5.1	27130801
eCl@ss 6.0	27130807
eCl@ss 7.0	27130807
eCl@ss 8.0	27130807

### ETIM

ETIM 2.0	EC000943
ETIM 3.0	EC000943
ETIM 4.0	EC000943
ETIM 5.0	EC000943

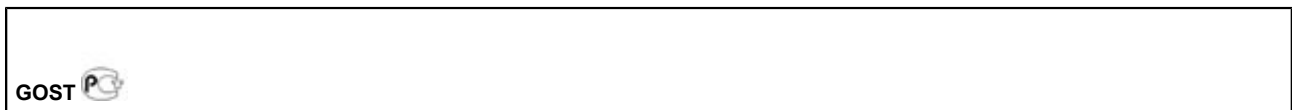
### UNSPSC

UNSPSC 6.01	30212010
UNSPSC 7.0901	39121610
UNSPSC 11	39121610
UNSPSC 12.01	39121610
UNSPSC 13.2	39121620

## approvals

GOST /

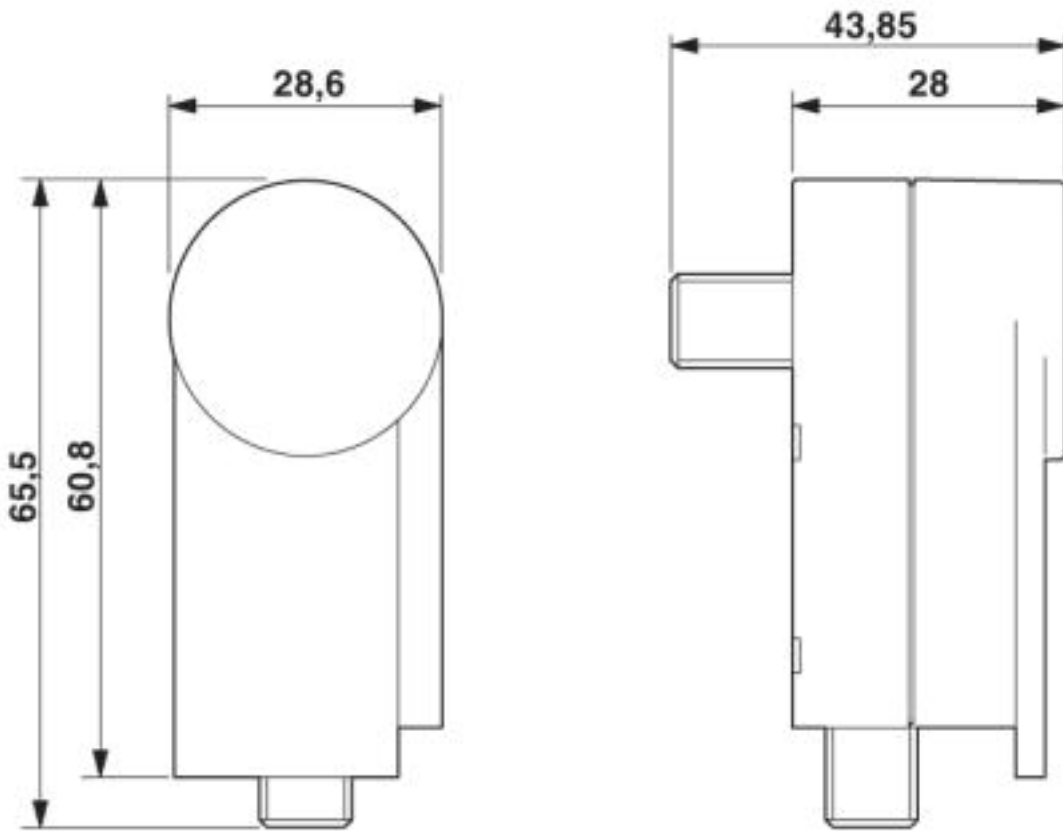
### Approval details



## Drawings

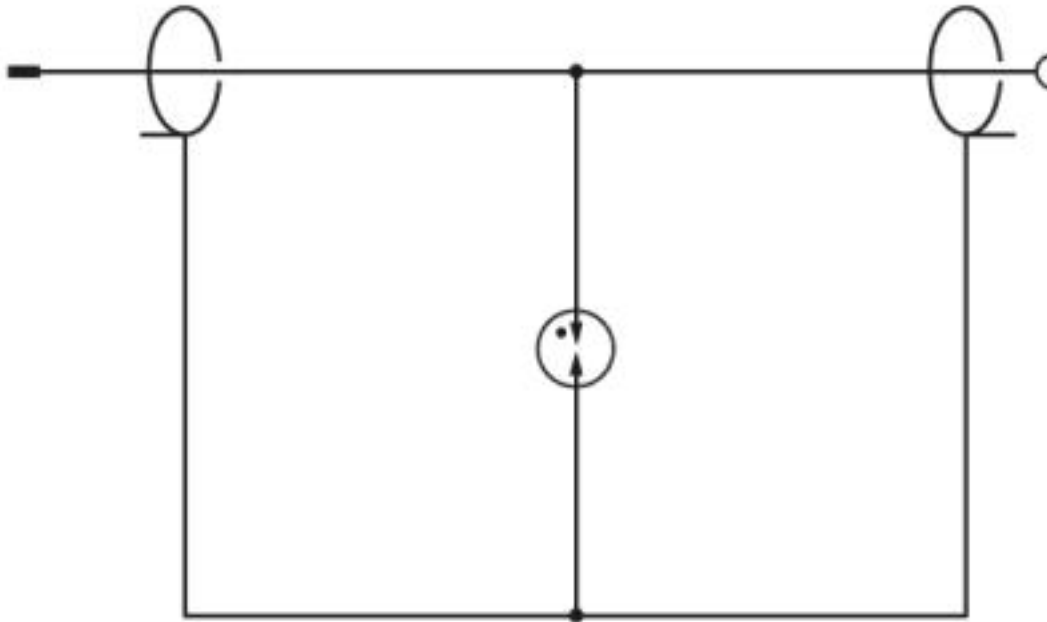
# Surge protection device - C-TV-SAT - 2856993

Dimensioned drawing



## Surge protection device - C-TV-SAT - 2856993

Circuit diagram



© Phoenix Contact 2013 - all rights reserved  
<http://www.phoenixcontact.com>