

		DIMENSIONS (mm)				
		9	15	25	37	50
SEE NOTE 1. →	A	19.30	27.17	SEE SHEET 2		SEE SHEET 3
	B *	1.87	2.36			
	C	27.05	35.86			
	D	13.89	13.66			
SEE NOTE 2. →	PCB	10.49	8.45			

NOTE:

1. "B" DIMENSION MEASURED FROM BACK SIDE OF CONNECTOR FLANGE
2. MIN. SAFE SPACING BETWEEN BACK SHELLS FOR PCB AND MOUNTED COMPONENTS
3. THESE DIMENSIONS ARE GOOD FOR THE PLASTIC BACK SHELLS

PLASTIC

THESE DRAWINGS AND SPECIFICATIONS ARE THE PROPERTY OF MH CONNECTORS LTD. AND SHALL NOT BE REPRODUCED, COPIED OR USED AS THE BASIS FOR THE MANUFACTURE OR SALE OF APPARATUS WITHOUT WRITTEN PERMISSION.

DRAWN
P. JENKINS
DATE
03-23-12

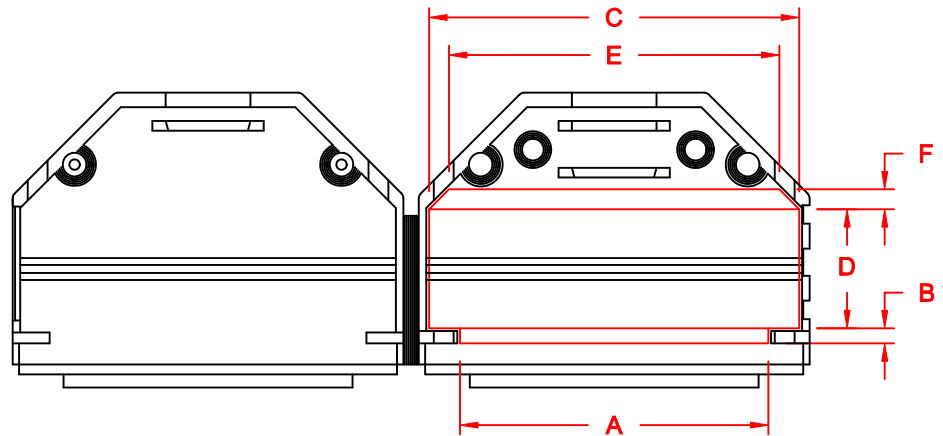
APPROVED
D. CROFT
DATE
03-23-12



MH CONNECTORS LTD.

SCALE
NTS
SHEET OF
1 OF 3
REV:
A

DRAWING No
MHDPPKSLIM INTERNAL



25-PIN

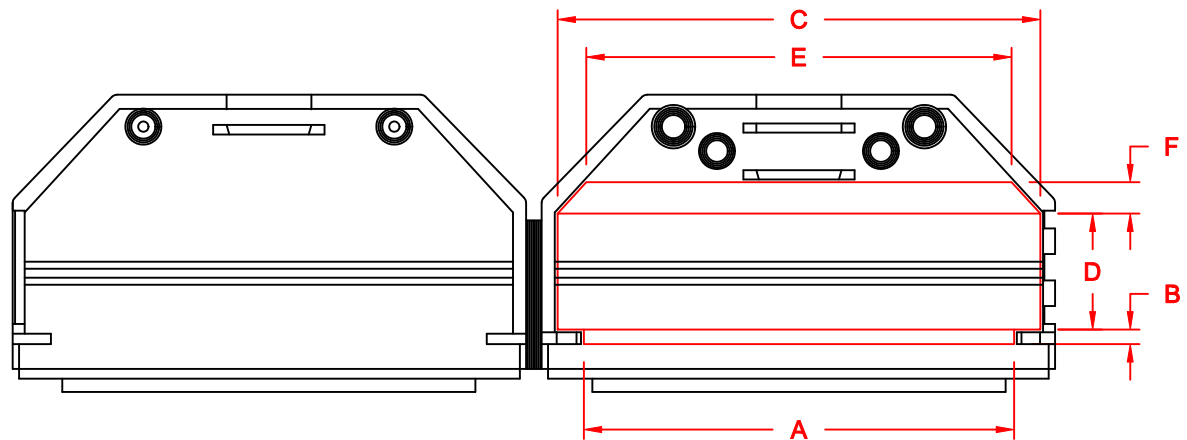
DIMENSIONS (mm)						
		9	15	25	37	50
A	SEE SHEET 1			41.68	58.16	SEE SHEET 3
B*				2.05	1.98	
C				50.03	65.27	
D				16.10	15.67	
E				44.65	57.50	
F				2.69	4.24	
PCB			8.58	8.38		

SEE NOTE 1. →

SEE NOTE 2. →

NOTE:

1. "B" DIMENSION MEASURED FROM BACK SIDE OF CONNECTOR FLANGE
2. MIN. SAFE SPACING BETWEEN BACK SHELLS FOR PCB AND MOUNTED COMPONENTS
3. THESE DIMENSIONS ARE GOOD FOR THE PLASTIC BACK SHELLS



37-PIN

PLASTIC

THESE DRAWINGS AND SPECIFICATIONS ARE THE PROPERTY OF MH CONNECTORS LTD. AND SHALL NOT BE REPRODUCED, COPIED OR USED AS THE BASIS FOR THE MANUFACTURE OR SALE OF APPARATUS WITHOUT WRITTEN PERMISSION.

DRAWN P. JENKINS	DATE 03-23-12
---------------------	------------------

APPROVED D. CROFT	DATE 03-23-12
----------------------	------------------



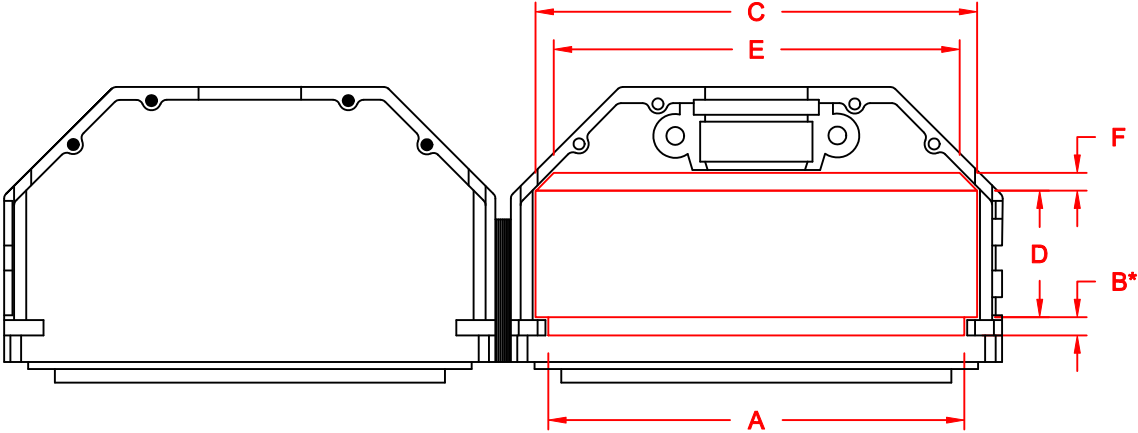
MH CONNECTORS LTD.

SCALE NTS	SHEET OF 2 OF 3	REV: A
--------------	--------------------	-----------

DRAWING No
MHDPPKSLIM INTERNAL


		DIMENSIONS (mm)				
		9	15	25	37	50
A						56.26
B*	SEE NOTE 1. →					2.46
C						59.71
D		SEE SHEET 1		SEE SHEET 2		17.11
E						54.88
F						2.41
PCB	SEE NOTE 2. →					13.08

- NOTE:**
- "B" DIMENSION MEASURED FROM BACK SIDE OF CONNECTOR FLANGE
 - MIN. SAFE SPACING BETWEEN BACK SHELLS FOR PCB AND MOUNTED COMPONENTS
 - THESE DIMENSIONS ARE GOOD FOR THE PLASTIC BACK SHELLS



50-PIN

PLASTIC

THESE DRAWINGS AND SPECIFICATIONS ARE THE PROPERTY OF MH CONNECTORS LTD. AND SHALL NOT BE REPRODUCED, COPIED OR USED AS THE BASIS FOR THE MANUFACTURE OR SALE OF APPARATUS WITHOUT WRITTEN PERMISSION.	DRAWN P. JENKINS		DATE 03-23-12	
	APPROVED D. CROFT		DATE 03-23-12	
	SCALE NTS		SHEET OF 3 OF 3	REV: A
	DRAWING No MHDPPKSLIM INTERNAL			

MH CONNECTORS LTD.