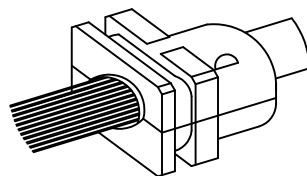
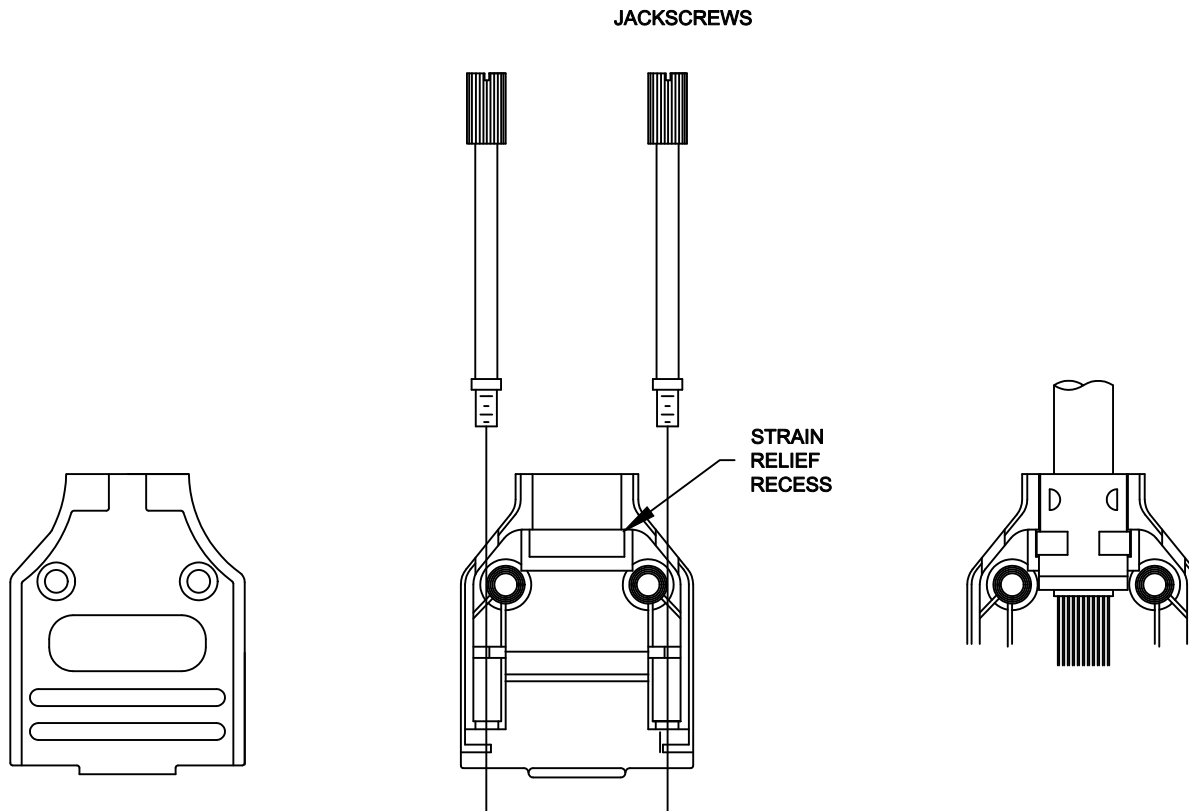


ASSEMBLY INSTRUCTIONS:

1. PREPARE CABLE AS REQUIRED TO ASSEMBLE TO THE CONNECTOR
2. CHOOSE THE STRAIN RELIEF HALVES THAT MOST CLOSELY MATCH THE CABLE O/D AND PLACE ONE INTO EACH RECESS. THEY DO NOT NEED TO BE MATCHING HALVES
3. PLACE THE CABLE INTO THE STRAIN RELIEF IN ONE HALF OF THE PLASTIC HOOD. ENSURE THE CABLE IS PRESSED INTO THE STRAIN RELIEF PIECE
4. SNAP THE JACKSCREWS INTO POSITION
5. INSERT THE CONNECTOR INTO BOTTOM HALF OF PLASTIC HOOD. PLACE THE OTHER HALF OF THE PLASTIC HOOD ON TOP AND TIGHTEN TOGETHER WITH THE ASSEMBLY SCREWS AND NUTS.



CABLE WITHOUT SHIELD OR GROUND

PLASTIC

THESE DRAWINGS AND SPECIFICATIONS ARE THE PROPERTY OF MH CONNECTORS LTD. AND SHALL NOT BE REPRODUCED, COPIED OR USED AS THE BASIS FOR THE MANUFACTURE OR SALE OF APPARATUS WITHOUT WRITTEN PERMISSION.

DRAWN P. JENKINS	DATE 03-23-12
----------------------------	-------------------------

APPROVED D. CROFT	DATE 03-23-12
-----------------------------	-------------------------

SCALE NTS	SHEET OF 1 OF 1	REV: A
---------------------	---------------------------	------------------

DRAWING No MHDTPPK ASSEMBLY



MH CONNECTORS LTD.