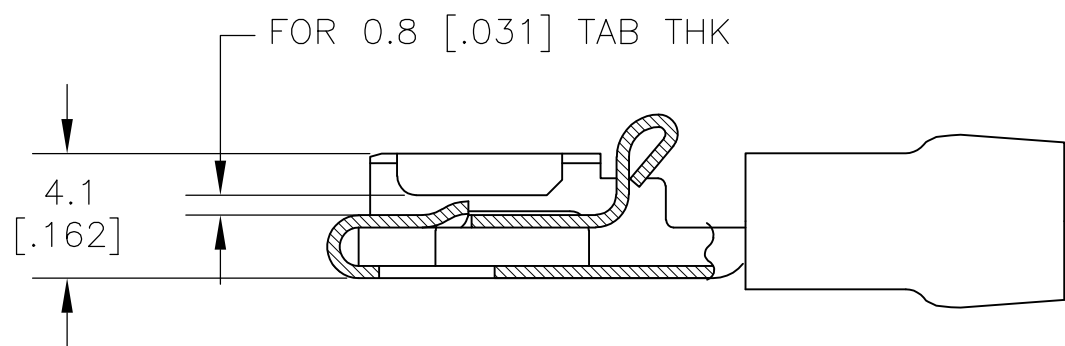
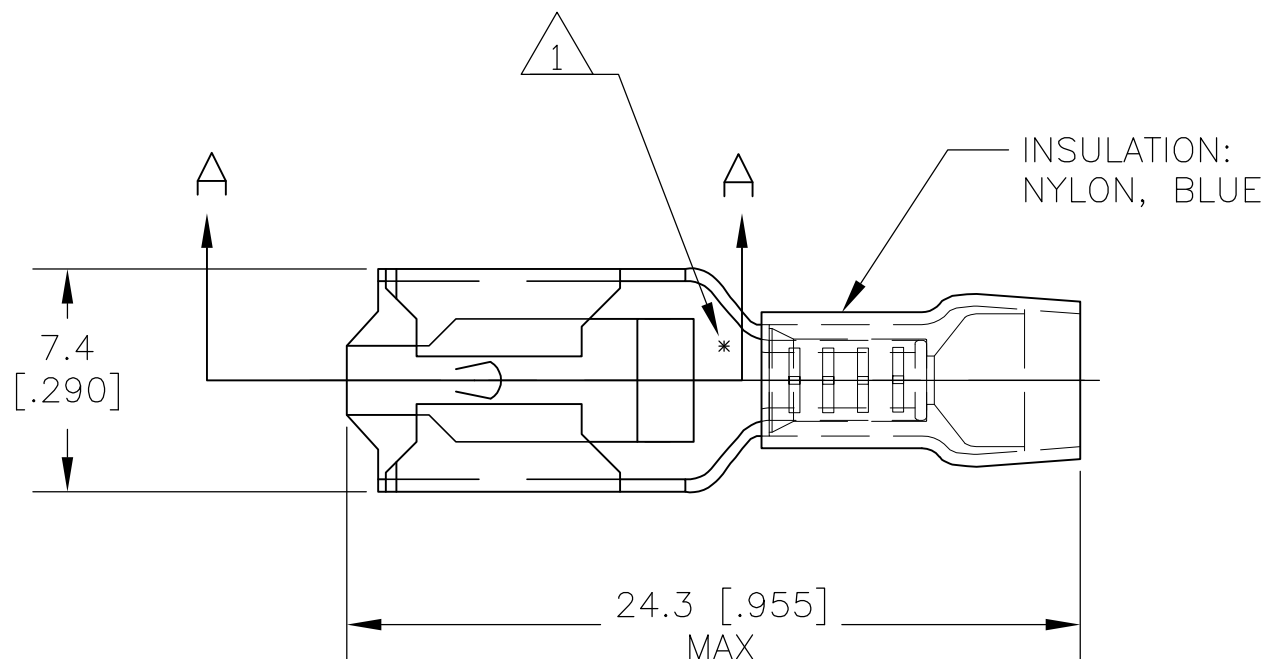


THIS DRAWING IS UNPUBLISHED. RELEASED FOR PUBLICATION
 © COPYRIGHT BY TYCO ELECTRONICS CORPORATION. ALL RIGHTS RESERVED.

| LOC | DIST | REVISIONS | | | |
|-----|------|-------------|---------------------------|---------|-------|
| P | LTR | DESCRIPTION | DATE | DWN | APVD |
| G | 02 | E2 | REVISED PER ECR-07-016357 | 12JUL07 | MF TM |



SECTION A-A

- 1 ASTERISK * FOR PHOS BRONZE ITEMS ONLY.
- 2 TAPE-MOUNTED VERSION OF 165536-1
- 3 SUPERSEDED BY P/N 165536-1
- 4 BODY - BRASS PER ASTM B36
SLEEVE - COPPER PER ASTM B152
INSULATION - NYLON
- 5 BODY - TIN PLATE PER ASTM B545
SLEEVE - TIN PLATE PER ASTM B545
INSULATION - COLOR - YELLOW
- 6 90°C MAX OPERATING TEMP
- 7 300 VOLT MAX

| | | | |
|------------|-------------|---|------------|
| TIN PLATED | BRASS | 3 | 2-165536-1 |
| TIN PLATED | PHOS BRONZE | 1 | 165536-2 |
| TIN PLATED | BRASS | | 165536-1 |
| FINISH | MATERIAL | | PART No. |

| | | | | |
|--|--|---------------------------------|--|--|
| THIS DRAWING IS A CONTROLLED DOCUMENT. | | DWN jr_ruth 15JAN07 | Tyco Electronics Corporation Harrisburg, PA 17105-3608 | |
| DIMENSIONS: MM [INCHES] | | CHK T MICHELUTTI 15JAN07 | NAME RECEPTACLE, 6.35 [.250] SERIES, POSITIVE-LOCK, PIDG, WIRE SIZE: 1.5-2.5MM2 | |
| TOLERANCES UNLESS OTHERWISE SPECIFIED: | | APVD T MICHELUTTI 15JAN07 | PRODUCT SPEC - | |
| 0 PLC ± - | | APPLICATION SPEC - | | |
| 1 PLC ± - | | SIZE A3 | | |
| 2 PLC ± - | | CAGE CODE 00779 | | |
| 3 PLC ± 0.25 [.010] | | DRAWING NO G-165536 | | |
| 4 PLC ± - | | RESTRICTED TO - | | |
| ANGLES ± 5° | | WEIGHT - | | |
| MATERIAL - 4 | | CUSTOMER DRAWING | | |
| FINISH - 5 | | SCALE 4:1 | | |
| | | SHEET 1 OF 1 | | |
| | | REV E2 | | |