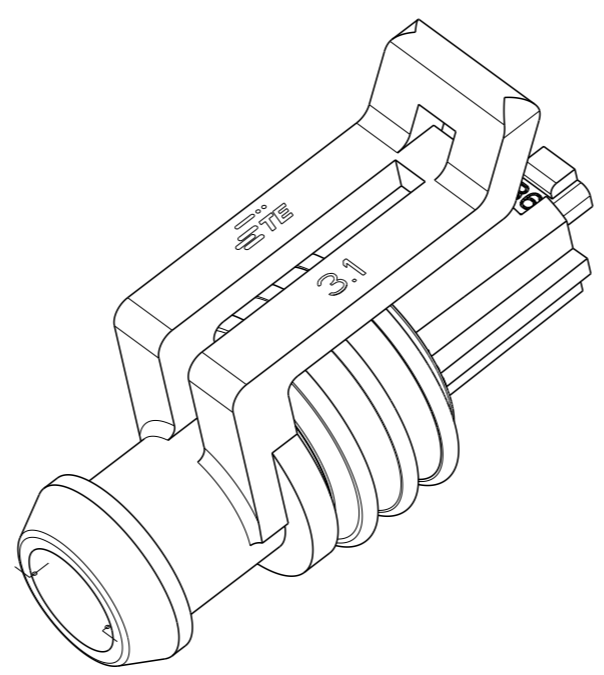
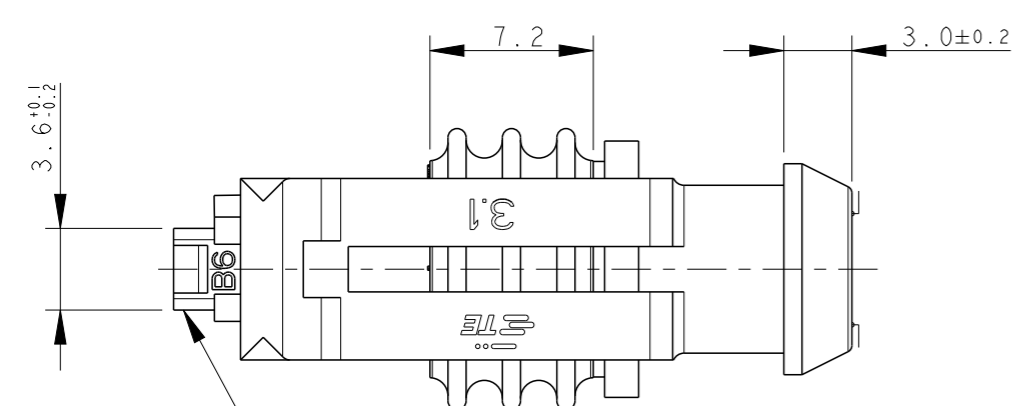
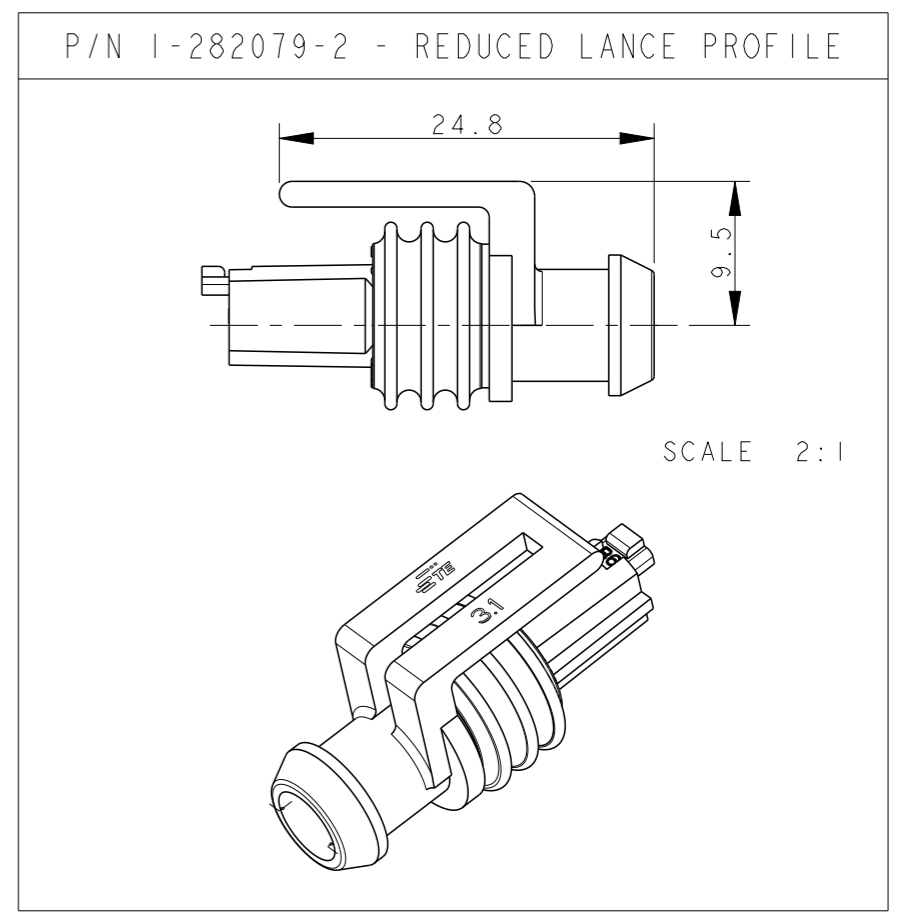
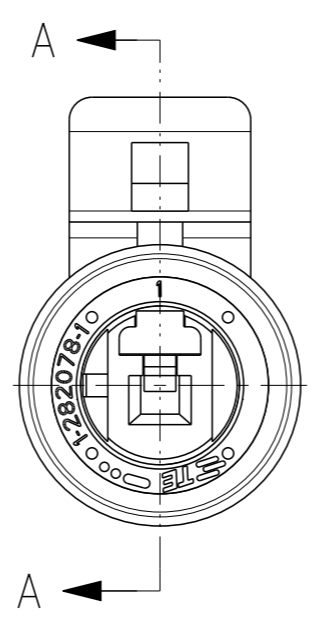
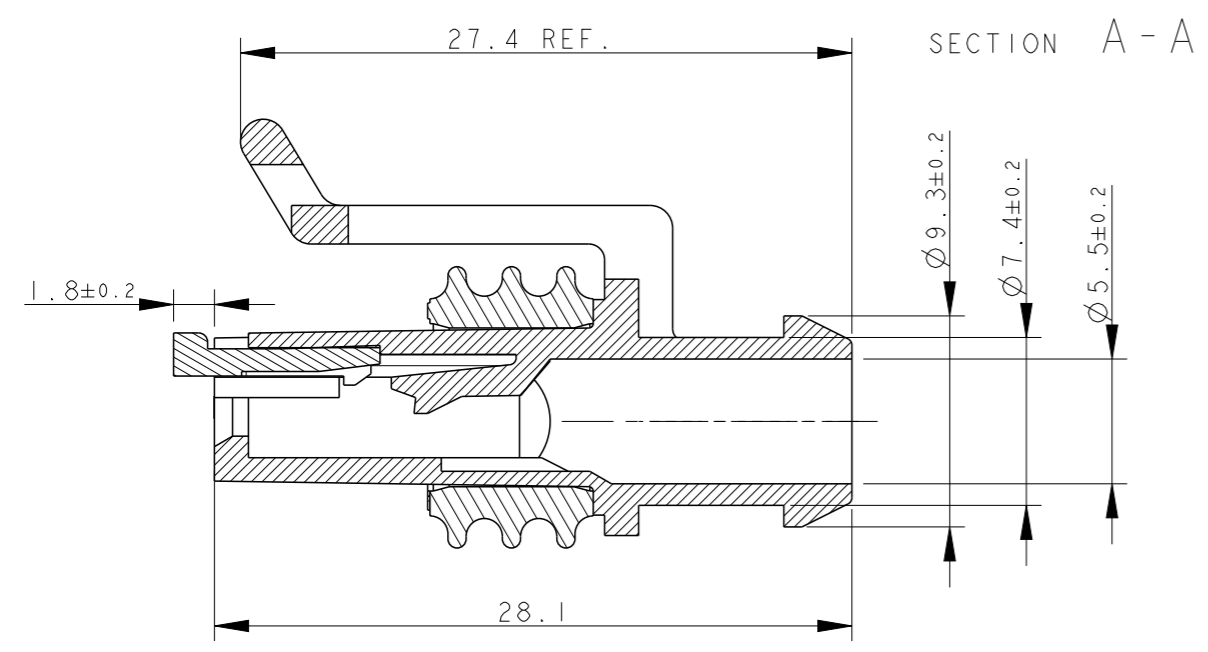


THIS DRAWING IS UNPUBLISHED. RELEASED FOR PUBLICATION 2011  
 © COPYRIGHT 2011 ALL RIGHTS RESERVED.

REVISIONS					
P	LTR	DESCRIPTION	DATE	DWN	APVD
	G	ECR-14-009314	24MAR2015	M.P.	M.G.



TE CONNECTIVITY TRADE MARK, (IN ALTERNATIVE: "AMP LOGO, OR " Tyco Electronics " LOGO)

SEALING (SILICONE RUBBER)

PRE-ASSEMBLED SECONDARY LOCK (RED COLOR)

⚠ WARNING: LOW RETENTION FORCE OF SEALING ON HOUSING (<9N)  
 2) FOR COUNTERPART DETAILS, SEE SHEET 2 OF 2

NOTE	FINISH/COLOR	MATERIAL	PART NUMBER
⚠	HOUSING: BLACK SEALING: NATURAL	HOUSING+SEC.LOCK: PA 66-GF SEALING: LSR (4% OIL CONTENT)	2-282079-2
	HOUSING: BLACK SEALING: YELLOW		1-282079-2
	HOUSING: GRAY SEALING: YELLOW	HOUSING+SEC.LOCK: PA 66-GF SEALING: LSR (NO OIL CONTENT)	282079-3
	HOUSING: BLACK SEALING: YELLOW		282079-2

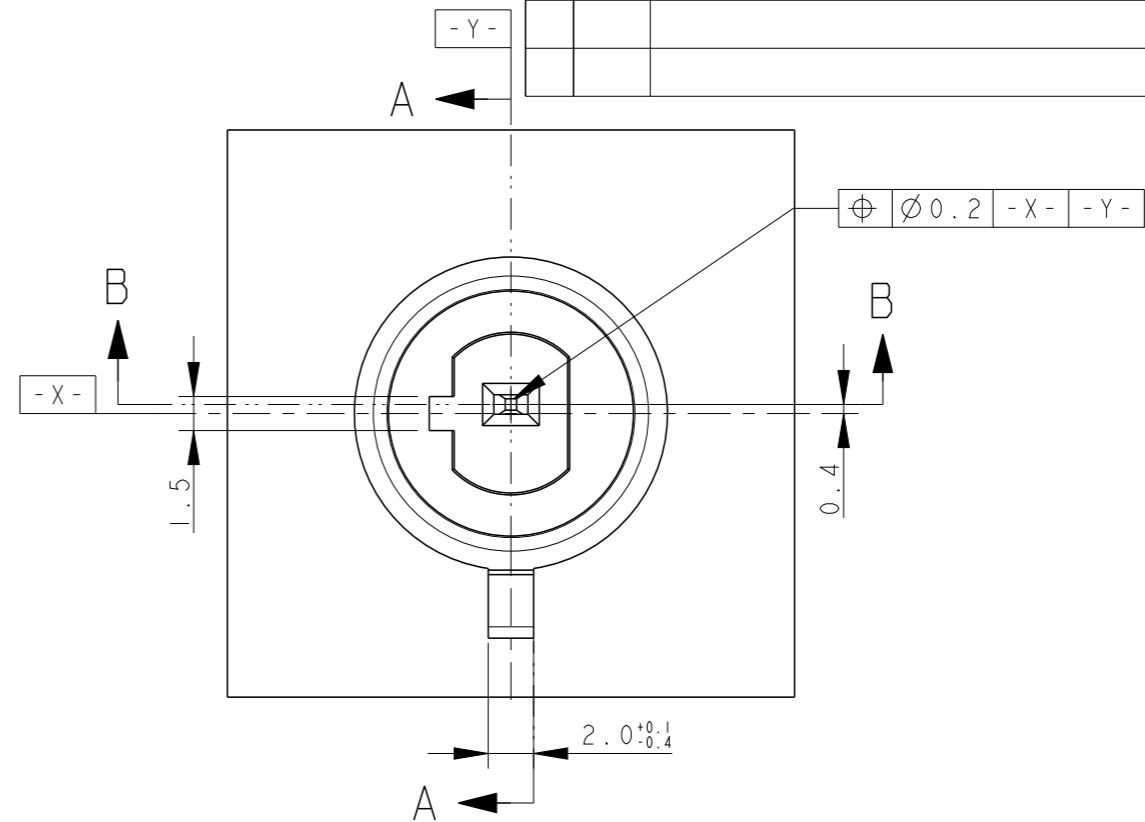
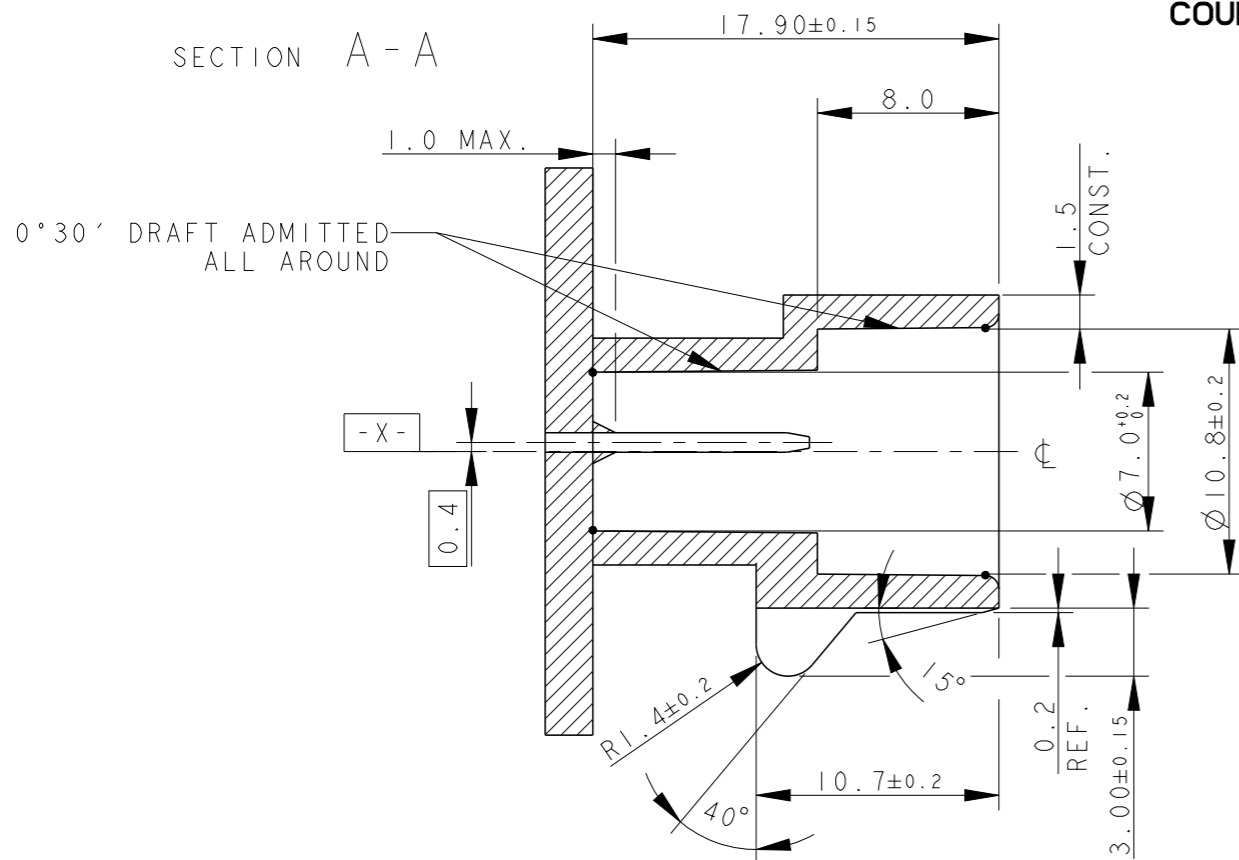
THIS DRAWING IS A CONTROLLED DOCUMENT.		DWN C. BERTINI 05-1992	TE Connectivity	
DIMENSIONS: mm		CHK A. BRUNI 05-1992		
TOLERANCES UNLESS OTHERWISE SPECIFIED:		APVD -	NAME AMP SUPERSEAL 1.5 SRS. 1 POSITION PLUG ASS'Y	
0 PLC ±-		PRODUCT SPEC 108-20090	SIZE A300779	
1 PLC ±0.3		APPLICATION SPEC 412-20000	CAGE CODE C-282079	
2 PLC ±-		WEIGHT 1.55gr	DRAWING NO -	
3 PLC ±-		Customer Drawing	RESTRICTED TO -	
4 PLC ±-			SCALE 3:1	
ANGLES ±2°			SHEET 1 OF 2	
MATERIAL SEE TABLE (VEDI TABELLA)			REV G	
FINISH SEE TABLE (VEDI TABELLA)				

REVISIONS

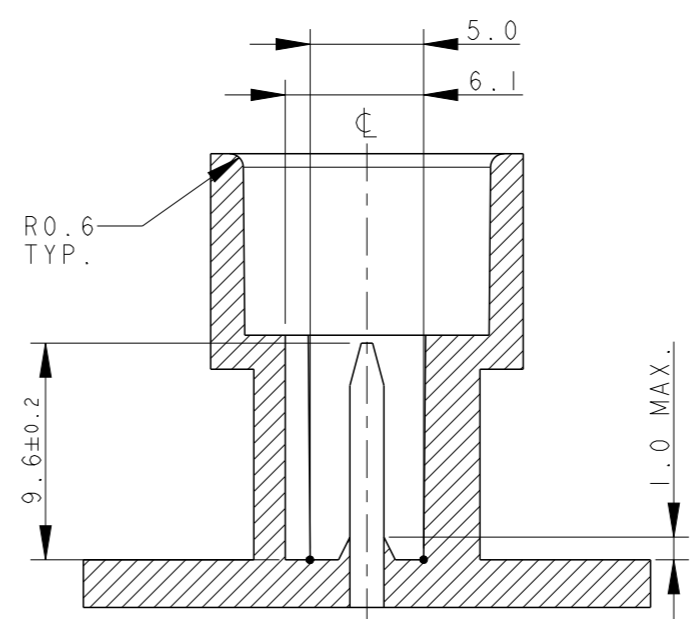
P	LTR	DESCRIPTION	DATE	DWN	APVD
-	-	SEE SHEET 1	-	-	-

COUNTERPART DETAILS

SECTION A - A

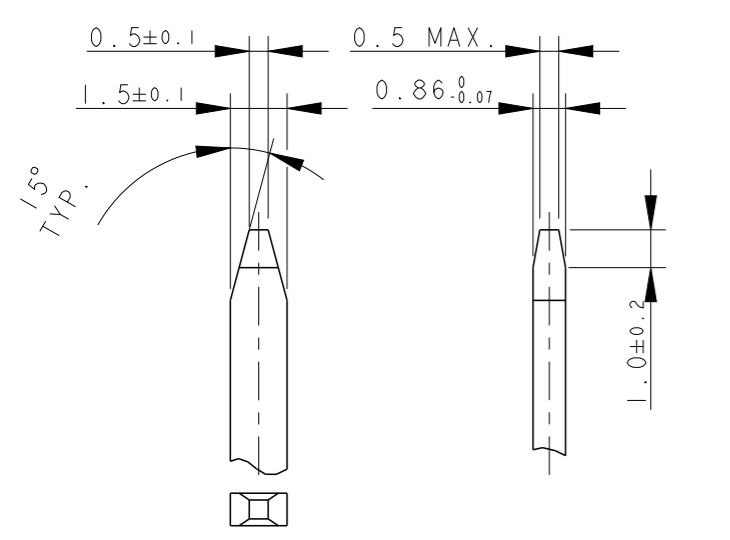


SECTION B - B



MATERIALS: PA66-GF FOR HOUSING  
TIN PLATED BRASS FOR TABS

TAB DETAILS



THIS DRAWING IS A CONTROLLED DOCUMENT.		DWN C. BERTINI 05-1992	<b>TE Connectivity</b>	
DIMENSIONS: mm		CHK A. BRUNI 05-1992		
TOLERANCES UNLESS OTHERWISE SPECIFIED:		APVD -	NAME AMP SUPERSEAL 1.5 SRS. 1 POSITION PLUG ASS'Y	
0 PLC ± 1 PLC ±0.3 2 PLC ± 3 PLC ± 4 PLC ± ANGLES ±2°		PRODUCT SPEC 108-20090	SIZE A3	
MATERIAL		APPLICATION SPEC 412-20000	CAGE CODE 300779	DRAWING NO G-282079
FINISH		WEIGHT 1.55gr	RESTRICTED TO -	
		Customer Drawing	SCALE 5:1	SHEET 2 OF 2
			REV G	