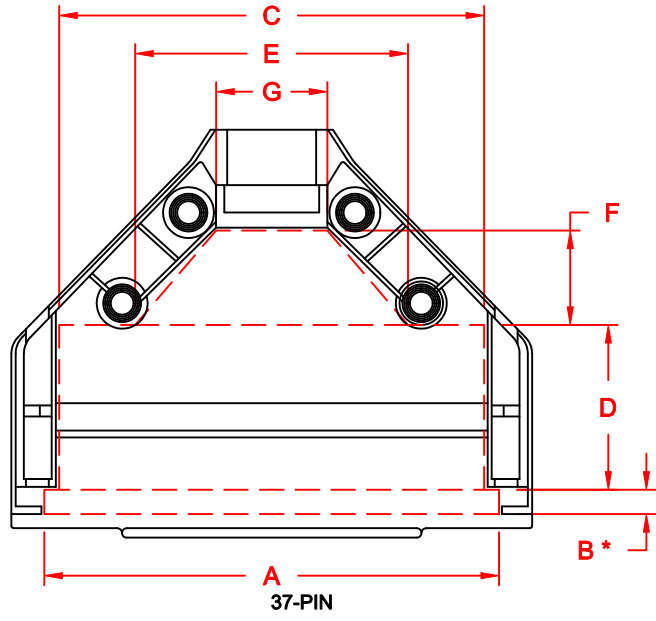
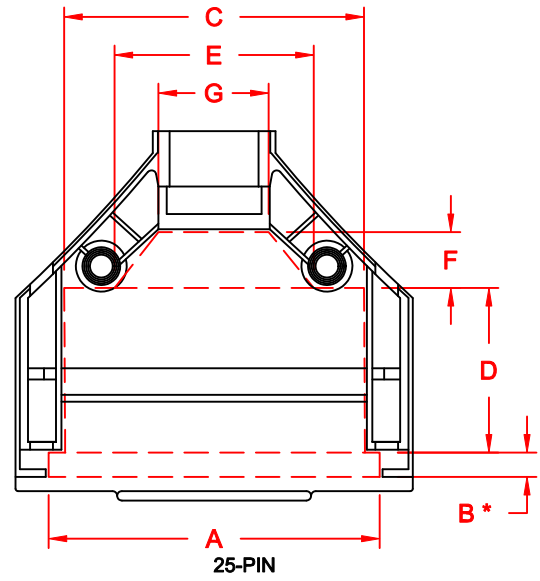
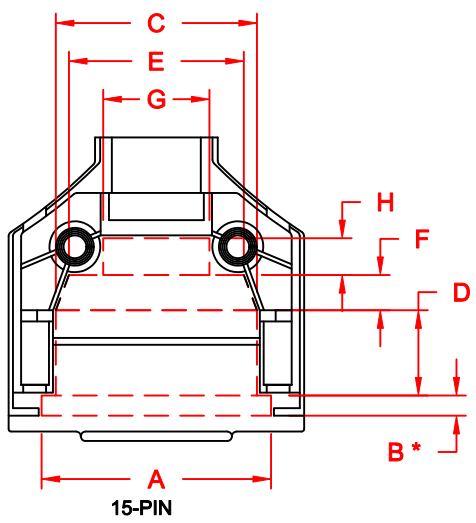
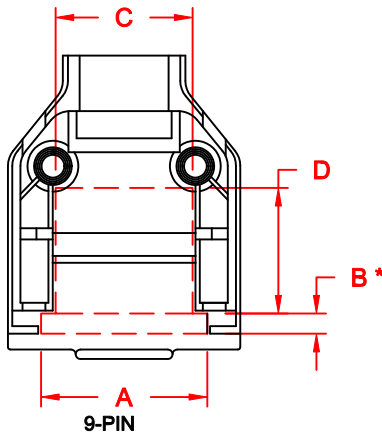


DIMENSIONS (mm)				
	9	15	25	37
A	22.17	30.60	44.17	60.65
B*	2.69	2.69	3.25	3.25
C	18.26	26.82	40.00	56.69
D	16.76	11.37	21.97	21.97
E		23.34	26.56	36.39
F		4.69	7.44	12.59
G		14.17	14.70	14.83
H		4.92		
PCB	8.94	9.09	9.11	9.34

SEE NOTE 1. →

SEE NOTE 2. →

- NOTE:**
- "B" DIMENSION MEASURED FROM BACK SIDE OF CONNECTOR FLANGE
 - MIN. SAFE SPACING BETWEEN BACK SHELLS FOR PCB AND MOUNTED COMPONENTS
 - THESE DIMENSIONS ARE GOOD FOR THE PLASTIC AND METALIZED PLASTIC BACK SHELLS



PLASTIC

THESE DRAWINGS AND SPECIFICATIONS ARE THE PROPERTY OF MH CONNECTORS LTD. AND SHALL NOT BE REPRODUCED, COPIED OR USED AS THE BASIS FOR THE MANUFACTURE OR SALE OF APPARATUS WITHOUT WRITTEN PERMISSION.

DRAWN P. JENKINS		DATE 03-23-12	
APPROVED D. CROFT		DATE 03-23-12	
SCALE NTS	SHEET 1	OF 1	REV: A
DRAWING No MHDTPPK ASSEMBLY			



MH CONNECTORS LTD.