

4

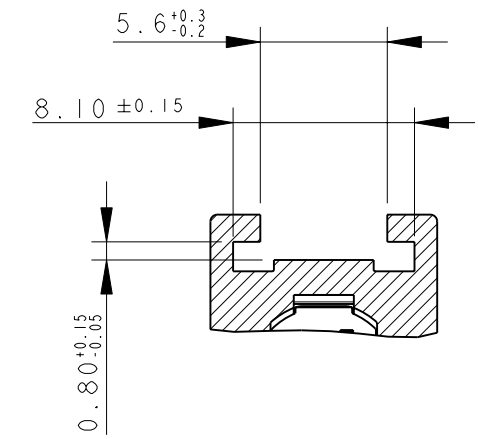
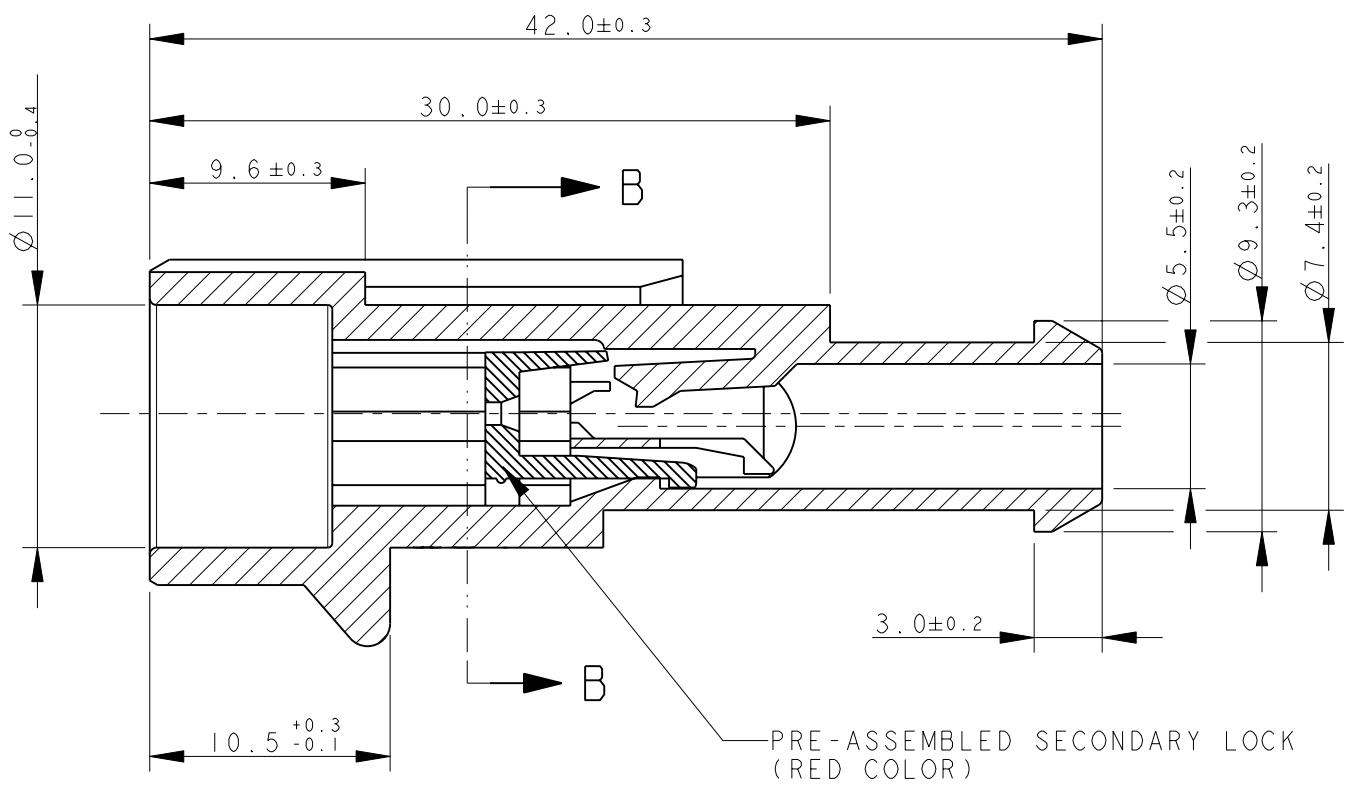
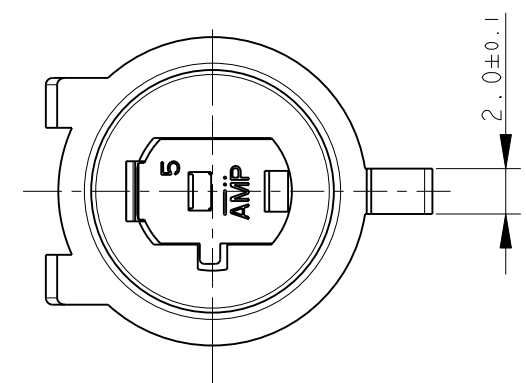
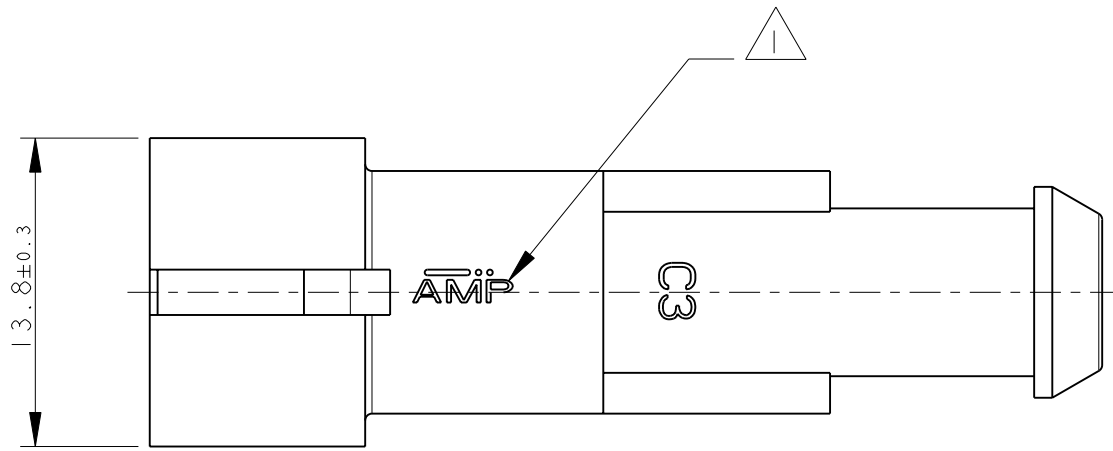
3

2

1

THIS DRAWING IS UNPUBLISHED. RELEASED FOR PUBLICATION 2009
 © COPYRIGHT 2009 BY TYCO ELECTRONICS CORPORATION. ALL INTERNATIONAL RIGHTS RESERVED.

LOC	DIST	REVISIONS					
		P	LTR	DESCRIPTION	DATE	DWN	APVD
1	-	B		REDRAWN (ECR-10-004138)	02MAR2010	M.G.	M.G.



PART SECTION B - B

GRAY	PA66-GF	282103-2
BLACK	PA66-GF	282103-1
FINISH/COLOR	MATERIAL	PART NUMBER

LOGO "AMP" O, IN ALTERNATIVA, LOGO TYCO ELECTRONICS ("AMP" TRADE MARK OR, IN ALTERNATIVE, TYCO ELECTRONICS TRADE MARK)

THIS DRAWING IS A CONTROLLED DOCUMENT FOR TYCO ELECTRONICS CORPORATION IT IS SUBJECT TO CHANGE AND THE CONTROLLING ENGINEERING ORGANIZATION SHOULD BE CONTACTED FOR THE LATEST REVISION.		DWN C. BERTINI 02-1990	Tyco Electronics Tyco Electronics AMP Italia S.r.l. Corso F.lli Cervi,15 - Collegno (TO)	
DIMENSIONS: mm		CHK A. BRUNI 02-1990	NAME AMP SUPERSEAL 1.5 SRS. 1 POSITION TAB ASS'Y	
TOLERANCES UNLESS OTHERWISE SPECIFIED: 0 PLC ±. 1 PLC ±0.3 2 PLC ±. 3 PLC ±. 4 PLC ±. ANGLES ±2°		APVD -	SIZE A300779	
MATERIAL -		PRODUCT SPEC 108-20090	DRAWING NO C=282103	
FINISH -		APPLICATION SPEC -	RESTRICTED TO -	
CUSTOMER DRAWING		WEIGHT -	SCALE 3:1	
		SHEET 1 OF 1		REV B