

# Flush-type connector - SACC-E-M 8MS-3CON-M8/0,5 - 1500334

Please be informed that the data shown in this PDF Document is generated from our Online Catalog. Please find the complete data in the user's documentation. Our General Terms of Use for Downloads are valid (<http://download.phoenixcontact.com>)



Sensor/actuator flush-type plug, 3-pos., M8, front/screw mounting, with M8 thread, with 0.5 m TPE litz wire, 3 x 0.25 mm²

## Key commercial data

package_quantity	1
GTIN	4017918589097

## Technical data

### Dimensions

Length of cable	0.5 m
-----------------	-------

### Ambient conditions

Ambient temperature (operation)	-25 °C ... 85 °C (Plug / socket)
Degree of protection	IP67

### General

Rated current at 40°C	4 A
Rated voltage	60 V
Number of positions	3
Contact resistance	≤ 3 mΩ
Insulation resistance	≥ 100 MΩ
Coding	A - standard
Standards/regulations	M8 connector IEC 61076-2-104
Status display	No
Surge voltage category	II
Pollution degree	3
Connection method	Individual wires
Mounting type	Front mounting M8 x 0.5

### Material

Inflammability class according to UL 94	HB
Contact material	Cu alloy
Contact surface material	Au
Contact carrier material	PA 66
Material, knurls	Nickel-plated brass

# Flush-type connector - SACC-E-M 8MS-3CON-M8/0,5 - 1500334

## Technical data

### Material

Sealing material	FKM
------------------	-----

### Cable

Cable type	TPE litz wire
Conductor cross section	0.25 mm <sup>2</sup>
AWG signal line	24
Conductor structure signal line	14x 0.15 mm
Core diameter including insulation	1.15 mm ±0.07 mm
Thickness, insulation	0.21 mm
Wire colors	brown, blue, black
Material conductor insulation	TPE
Conductor material	Tin-plated Cu litz wires
Insulation resistance	≥ 20 MΩ*km
Conductor resistance	≥ 80 Ω/km
Nominal voltage, cable	300 V
Test voltage, cable	2000 V AC

## classifications

### eCl@ss

eCl@ss 4.0	27140815
eCl@ss 4.1	27140815
eCl@ss 5.0	27143423
eCl@ss 5.1	27143423
eCl@ss 6.0	27143423
eCl@ss 7.0	27449001
eCl@ss 8.0	27449001

### ETIM

ETIM 2.0	EC001297
ETIM 3.0	EC002061
ETIM 4.0	EC002061
ETIM 5.0	EC002061

### UNSPSC

UNSPSC 6.01	31251501
UNSPSC 7.0901	31251501
UNSPSC 11	31251501
UNSPSC 12.01	31251501
UNSPSC 13.2	31251501

# Flush-type connector - SACC-E-M 8MS-3CON-M8/0,5 - 1500334

## approvals

UL Recognized / cUL Recognized / GOST / GOST / cULus Recognized /

### Approval details

<b>UL Recognized</b>	
Nominal voltage UN	125 V
Nominal current IN	4 A
mm <sup>2</sup> /AWG/kcmil	

<b>cUL Recognized</b>	
Nominal voltage UN	125 V
Nominal current IN	4 A
mm <sup>2</sup> /AWG/kcmil	

<b>GOST</b>
-------------

--

<b>cULus Recognized</b>
-------------------------

### accessories

#### Flat nut

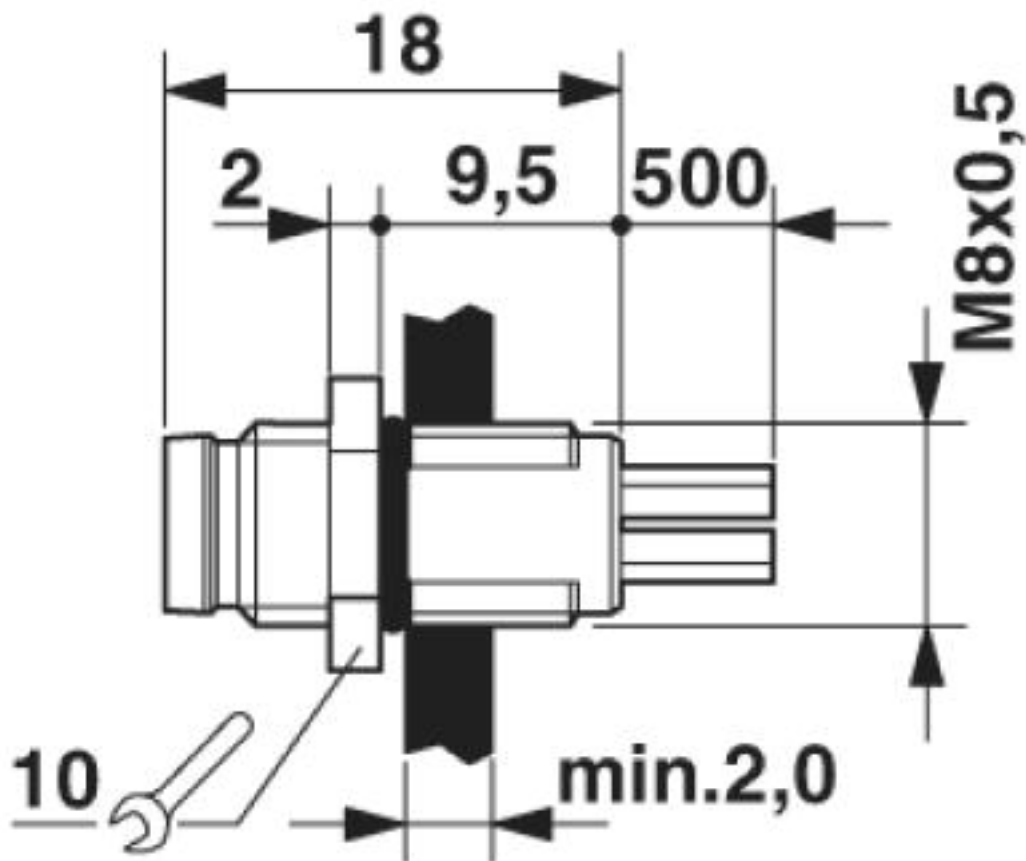
SACC-E-MU-M 8 - 1504071



# Flush-type connector - SACC-E-M 8MS-3CON-M8/0,5 - 1500334

## Drawings

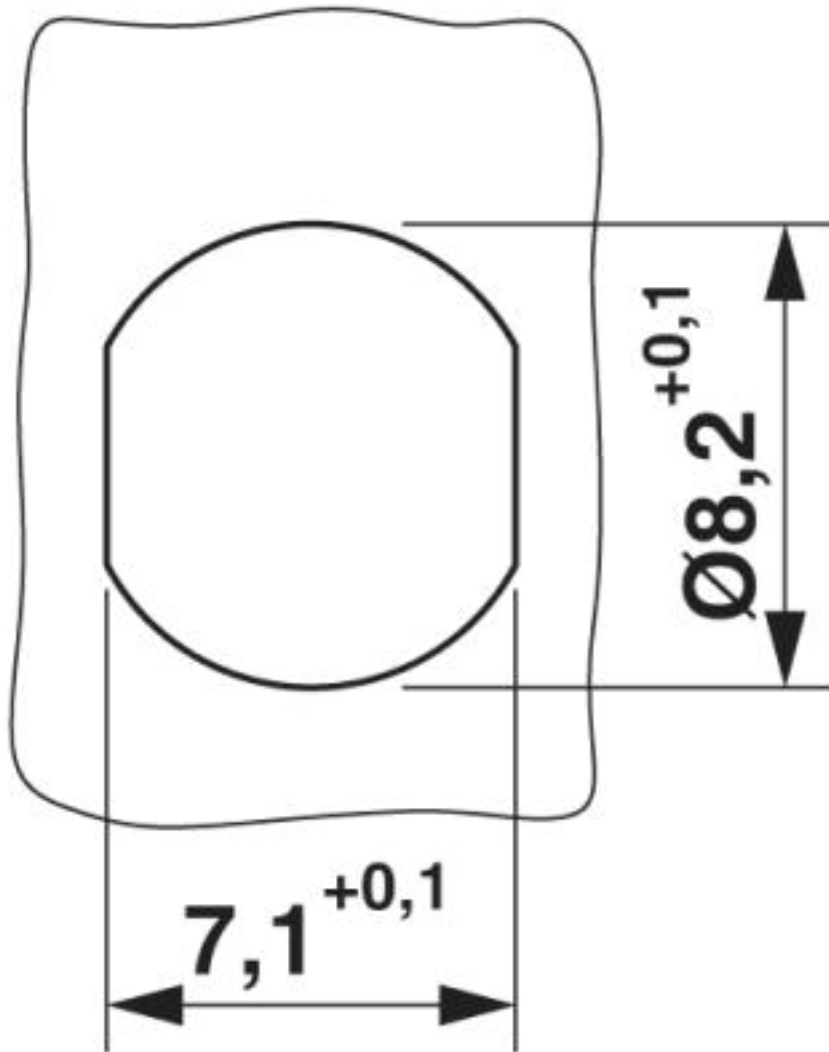
### Dimensioned drawing



M8 flush-type plug

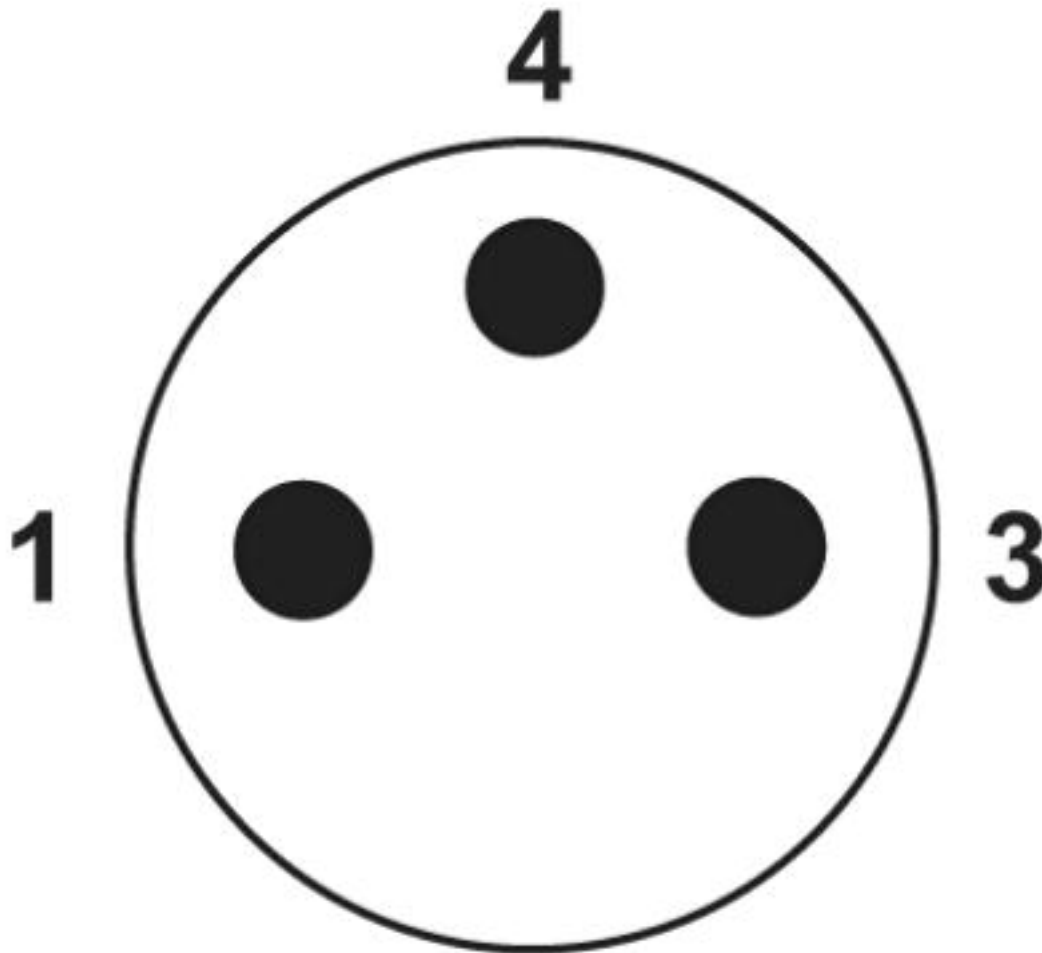
# Flush-type connector - SACC-E-M 8MS-3CON-M8/0,5 - 1500334

Dimensioned drawing



# Flush-type connector - SACC-E-M 8MS-3CON-M8/0,5 - 1500334

Schematic diagram



Pin assignment M8 plug, 3-pos., view male side

© Phoenix Contact 2013 - all rights reserved  
<http://www.phoenixcontact.com>