

Flush-type connector - SACC-E-M 8FS-4CON-M8/0,5 - 1500363

Please be informed that the data shown in this PDF Document is generated from our Online Catalog. Please find the complete data in the user's documentation. Our General Terms of Use for Downloads are valid (<http://download.phoenixcontact.com>)



Sensor/actuator flush-type socket, 4-pos., M8, front/screw mounting, with M8 thread, with 0.5 m TPE litz wire, 4 x 0.25 mm²

Key commercial data

package_quantity	1
GTIN	4017918589073

Technical data

Dimensions

Length of cable	0.5 m
-----------------	-------

Ambient conditions

Ambient temperature (operation)	-25 °C ... 85 °C (Plug / socket)
Degree of protection	IP67

General

Rated current at 40°C	4 A
Rated voltage	30 V
Number of positions	4
Contact resistance	≤ 3 mΩ
Insulation resistance	≥ 100 MΩ
Coding	A - standard
Standards/regulations	M8 connector IEC 61076-2-104
Status display	No
Surge voltage category	II
Pollution degree	3
Connection method	Individual wires
Torque	0.5 Nm ... 0.6 Nm
Mounting type	Front mounting M8 x 0.5

Material

Inflammability class according to UL 94	HB
Contact material	CuSn
Contact surface material	Au
Contact carrier material	PA 66

Flush-type connector - SACC-E-M 8FS-4CON-M8/0,5 - 1500363

Technical data

Material

Material, knurls	Nickel-plated brass
Sealing material	Viton

Cable

Cable type	TPE litz wire
Conductor cross section	0.25 mm ²
AWG signal line	24
Conductor structure signal line	14x 0.15 mm
Core diameter including insulation	1.15 mm ±0.07 mm
Thickness, insulation	0.21 mm
Wire colors	brown, white, blue, black
Material conductor insulation	TPE
Conductor material	Tin-plated Cu litz wires
Insulation resistance	≥ 20 MΩ*km
Conductor resistance	≥ 80 Ω/km
Nominal voltage, cable	300 V
Test voltage, cable	2000 V AC
Ambient temperature (operation)	-25 °C ... 90 °C (cable, fixed installation)

classifications

eCl@ss

eCl@ss 4.0	27140815
eCl@ss 4.1	27140815
eCl@ss 5.0	27143423
eCl@ss 5.1	27143423
eCl@ss 6.0	27143423
eCl@ss 7.0	27440103
eCl@ss 8.0	27440103

ETIM

ETIM 2.0	EC001297
ETIM 3.0	EC002061
ETIM 4.0	EC002062
ETIM 5.0	EC002062

UNSPSC

UNSPSC 6.01	31251501
UNSPSC 7.0901	31251501
UNSPSC 11	31251501
UNSPSC 12.01	31251501
UNSPSC 13.2	31251501

Flush-type connector - SACC-E-M 8FS-4CON-M8/0,5 - 1500363

approvals

UL Recognized / cUL Recognized / GOST / cULus Recognized /

Approval details

UL Recognized	
Nominal voltage UN	125 V
Nominal current IN	4 A
mm ² /AWG/kcmil	

cUL Recognized	
Nominal voltage UN	125 V
Nominal current IN	4 A
mm ² /AWG/kcmil	

GOST

cULus Recognized

accessories

Flat nut

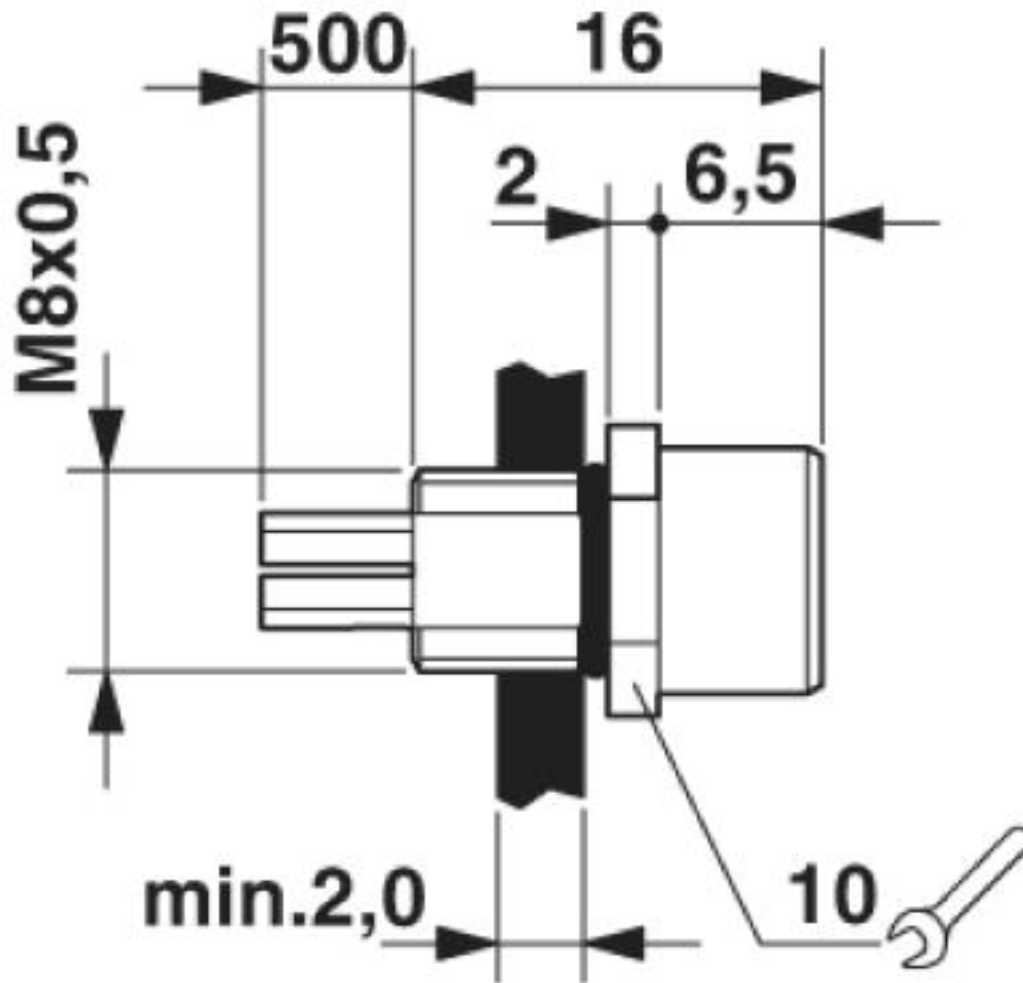
SACC-E-MU-M 8 - 1504071



Drawings

Flush-type connector - SACC-E-M 8FS-4CON-M8/0,5 - 1500363

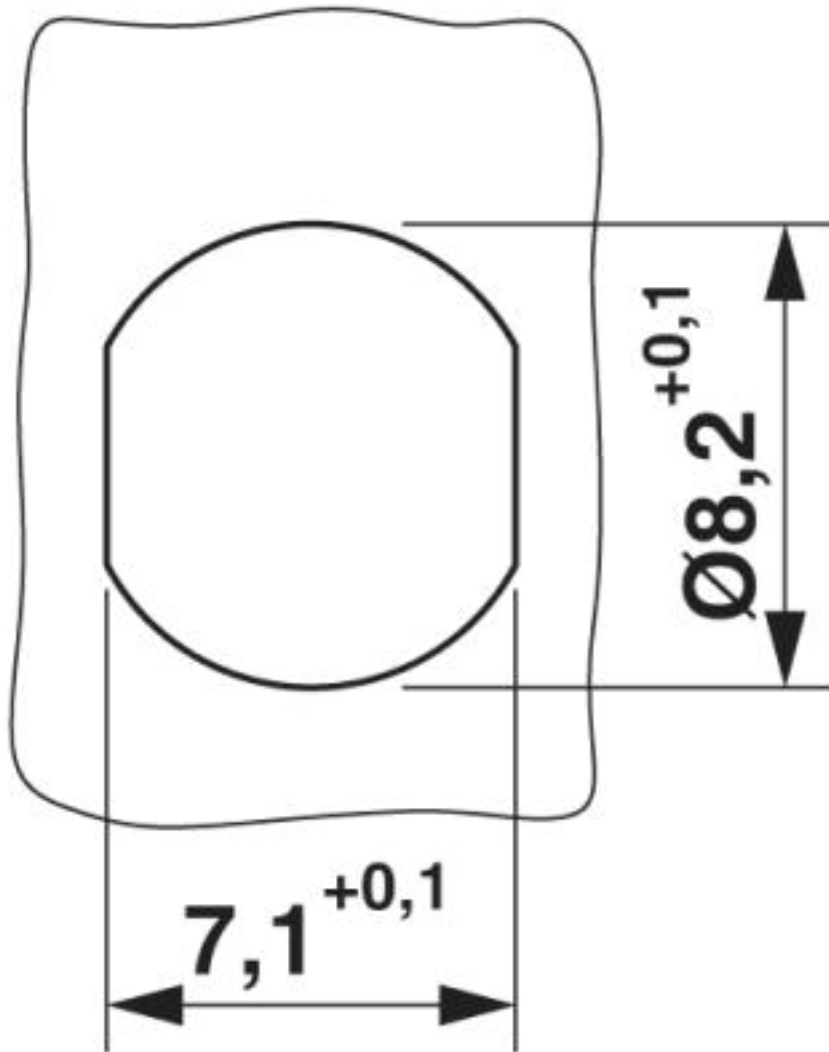
Dimensioned drawing



M8 flush-type socket

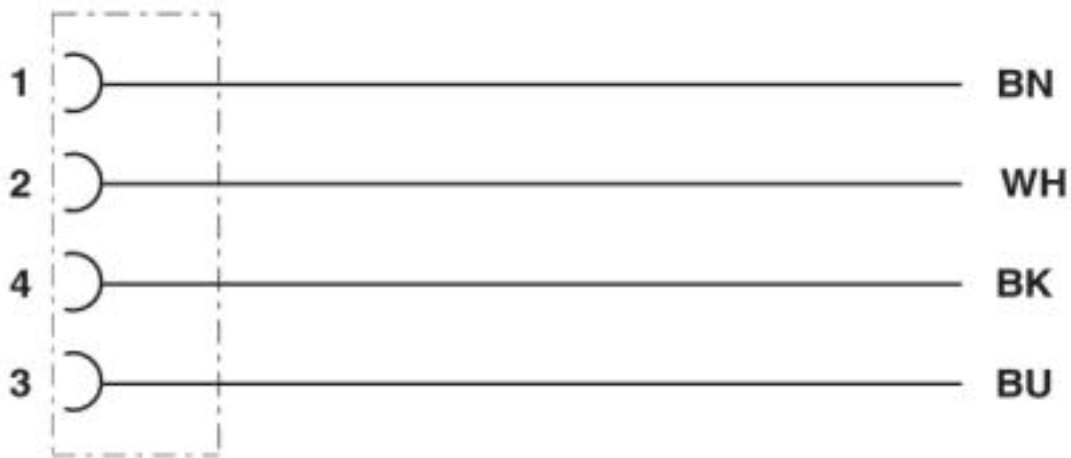
Flush-type connector - SACC-E-M 8FS-4CON-M8/0,5 - 1500363

Dimensioned drawing



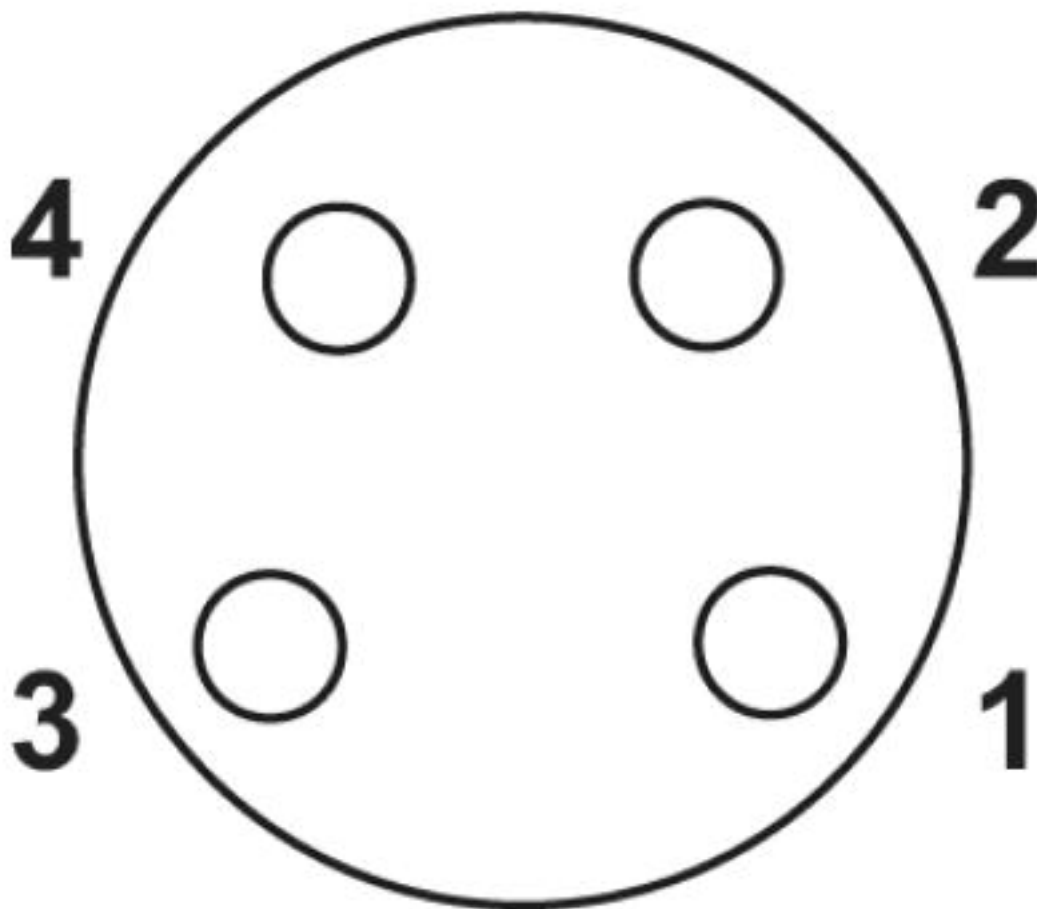
Flush-type connector - SACC-E-M 8FS-4CON-M8/0,5 - 1500363

Circuit diagram



Contact assignment of M8 plugs/sockets

Schematic diagram



Pin assignment M8 socket, 4-pos., view female side

