

Flush-type connector - SACC-E-MS-5CON-M16/0,5 SCO - 1520055

Please be informed that the data shown in this PDF Document is generated from our Online Catalog. Please find the complete data in the user's documentation. Our General Terms of Use for Downloads are valid (<http://download.phoenixcontact.com>)



Sensor/actuator flush-type plug, 5-pos., M12-SPEEDCON, A-coded, front/screw mounting with M16 thread, with 0.5 m TPE litz wire, 5 x 0.34 mm²



Key commercial data

| | |
|------------------|---------------|
| package_quantity | 1 |
| GTIN | 4046356020145 |

Technical data

Dimensions

| | |
|-----------------|-------|
| Length of cable | 0.5 m |
|-----------------|-------|

Ambient conditions

| | |
|---------------------------------|----------------------------------|
| Ambient temperature (operation) | -25 °C ... 85 °C (Plug / socket) |
| Degree of protection | IP67 |

General

| | |
|------------------------|-------------------------------|
| Rated current at 40°C | 4 A |
| Rated voltage | 60 V |
| Number of positions | 5 |
| Contact resistance | ≤ 3 mΩ |
| Insulation resistance | ≥ 100 MΩ |
| Coding | A - standard |
| Standards/regulations | M12 connector IEC 61076-2-101 |
| Status display | No |
| Surge voltage category | II |
| Pollution degree | 3 |
| Connection method | Individual wires |
| Mounting type | Front mounting M16 x 1.5 |

Material

| | |
|---|-------|
| Inflammability class according to UL 94 | V0 |
| Contact material | CuZn |
| Contact surface material | Ni/Au |

Flush-type connector - SACC-E-MS-5CON-M16/0,5 SCO - 1520055

Technical data

Material

| | |
|---------------------------------|------------------------------|
| Contact carrier material | PA 66 |
| Material, knurls | Zinc die-cast, nickel-plated |
| Sealing material | NBR |

Cable

| | |
|---|--|
| Cable type | TPE litz wire |
| Conductor cross section | 0.34 mm ² |
| AWG signal line | 22 |
| Conductor structure signal line | 7x 0.25 mm |
| Core diameter including insulation | 1.2 mm ±0.07 mm |
| Thickness, insulation | 0.21 mm |
| Wire colors | Black, brown, blue, white, gray |
| Material conductor insulation | TPE |
| Conductor material | Tin-plated Cu litz wires |
| Insulation resistance | ≥ 20 MΩ*km |
| Conductor resistance | ≤ 57.6 mΩ/m |
| Nominal voltage, cable | 300 V |
| Test voltage, cable | 2000 V AC |
| Ambient temperature (operation) | -25 °C ... 90 °C (cable, fixed installation) |

classifications

eCl@ss

| | |
|-------------------|----------|
| eCl@ss 4.0 | 27140815 |
| eCl@ss 4.1 | 27140815 |
| eCl@ss 5.0 | 27143423 |
| eCl@ss 5.1 | 27143423 |
| eCl@ss 6.0 | 27143423 |
| eCl@ss 7.0 | 27449001 |
| eCl@ss 8.0 | 27449001 |

ETIM

| | |
|-----------------|----------|
| ETIM 2.0 | EC001297 |
| ETIM 3.0 | EC002061 |
| ETIM 4.0 | EC002062 |
| ETIM 5.0 | EC002062 |

UNSPSC

| | |
|----------------------|----------|
| UNSPSC 6.01 | 31251501 |
| UNSPSC 7.0901 | 31251501 |
| UNSPSC 11 | 31251501 |
| UNSPSC 12.01 | 31251501 |
| UNSPSC 13.2 | 31251501 |

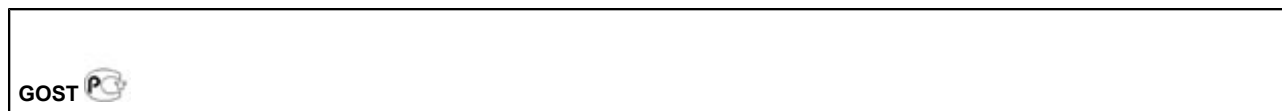
Flush-type connector - SACC-E-MS-5CON-M16/0,5 SCO - 1520055

approvals

UL Recognized / GOST / GOST /

Approval details

| | |
|----------------------------|-------|
| UL Recognized | |
| Nominal voltage UN | 60 V |
| Nominal current IN | 4 A |
| mm ² /AWG/kcmil | 26-20 |



accessories

Flat nut

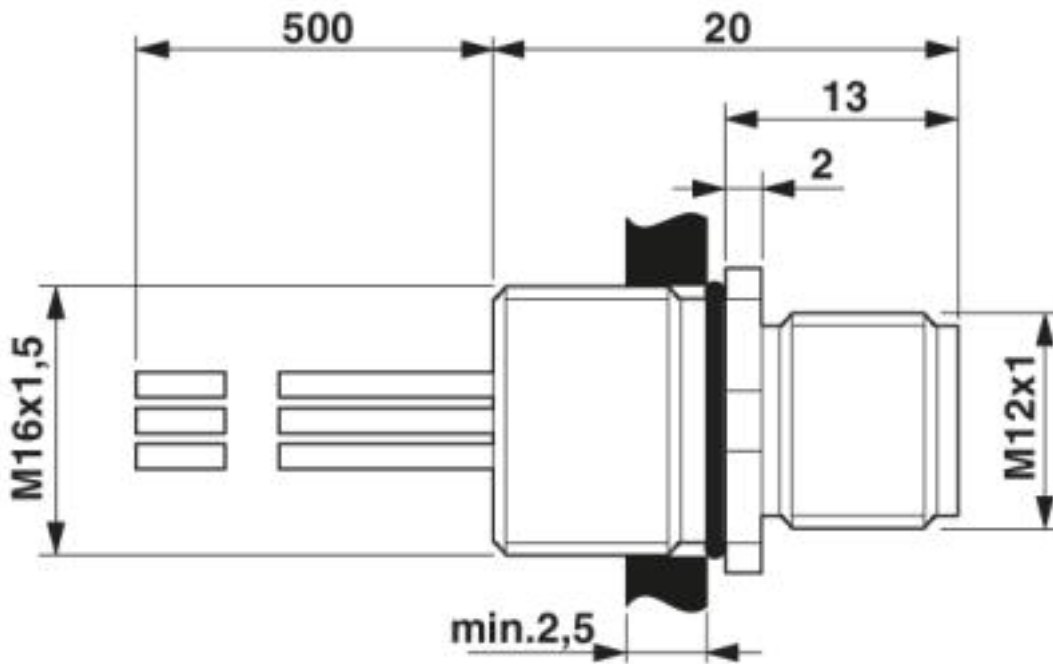
SACC-E-MU-M16 - 1504097



Drawings

Flush-type connector - SACC-E-MS-5CON-M16/0,5 SCO - 1520055

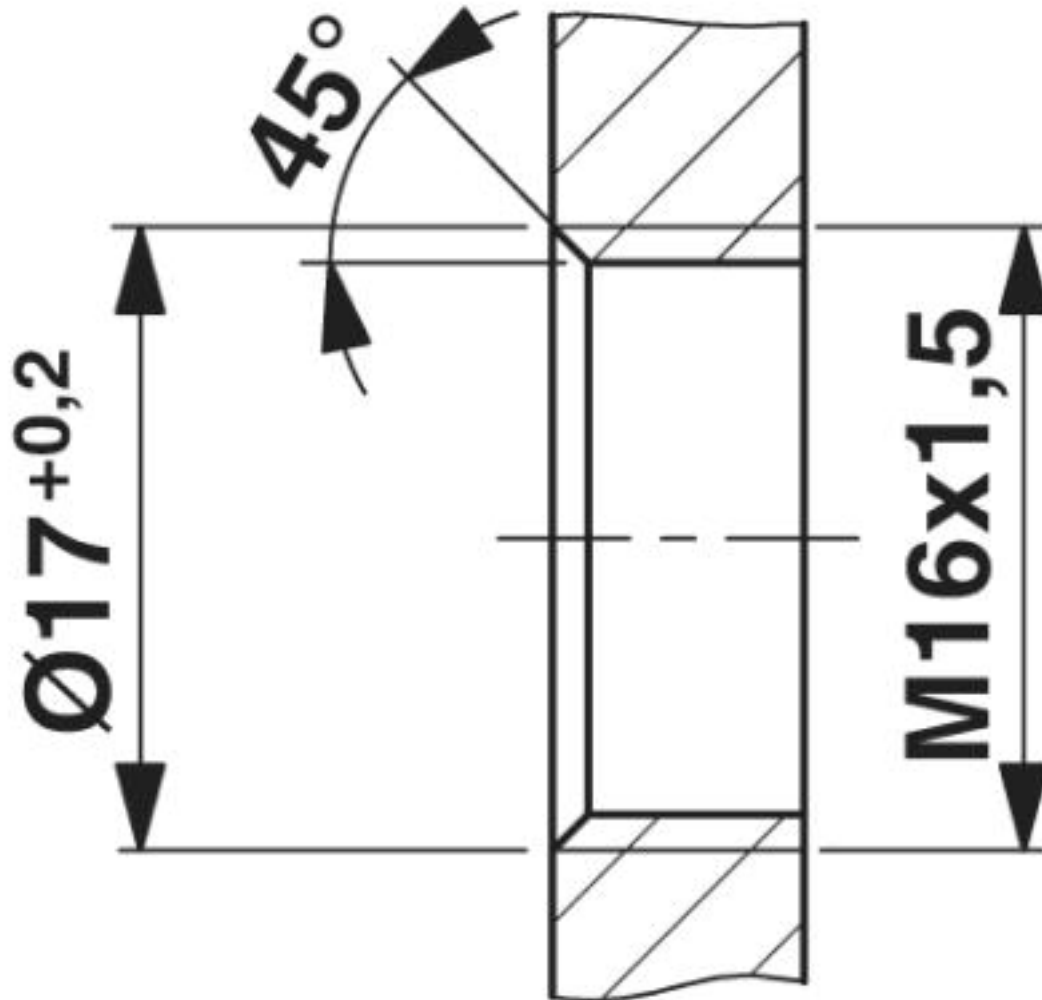
Dimensioned drawing



M12 flush-type plug

Flush-type connector - SACC-E-MS-5CON-M16/0,5 SCO - 1520055

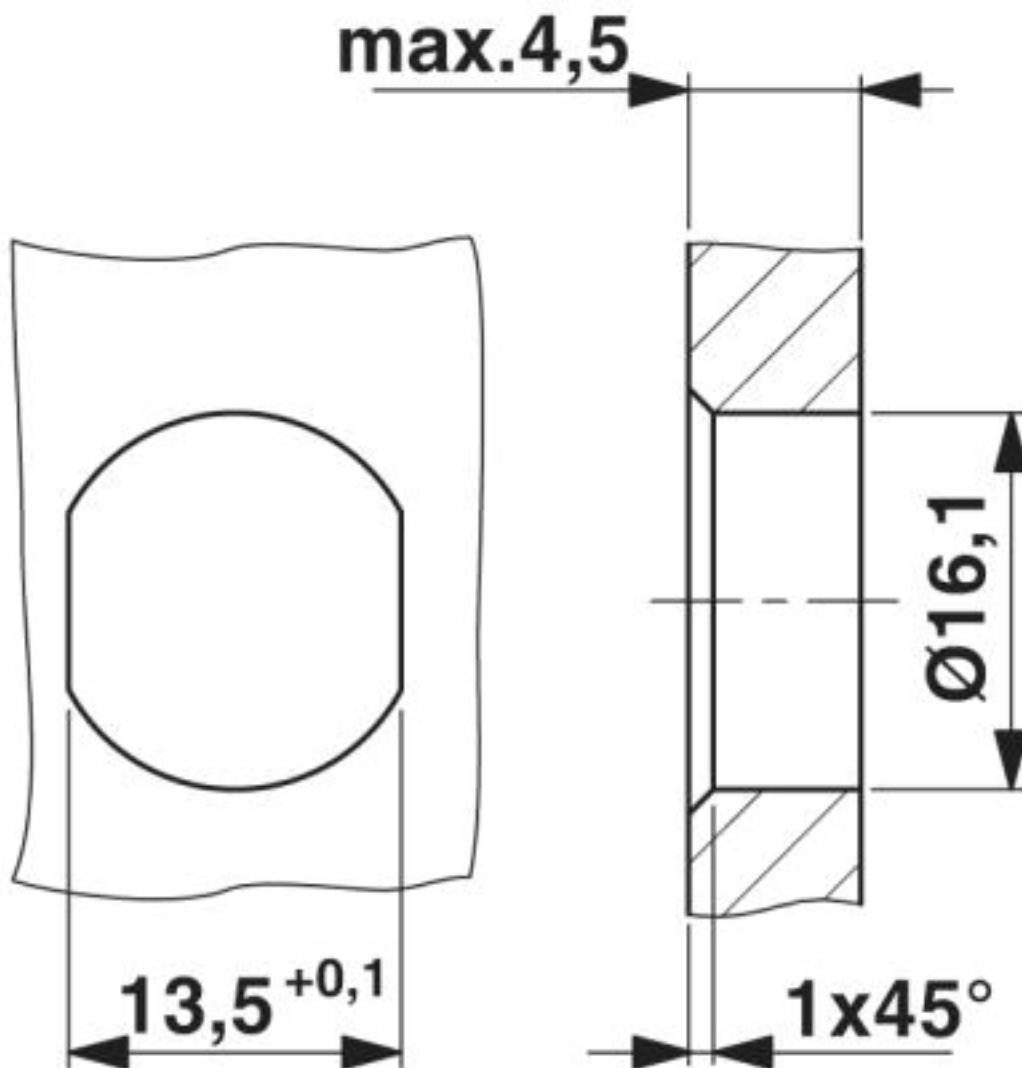
Dimensioned drawing



Housing cutout for M16 fastening thread, mounting panel with thread

Flush-type connector - SACC-E-MS-5CON-M16/0,5 SCO - 1520055

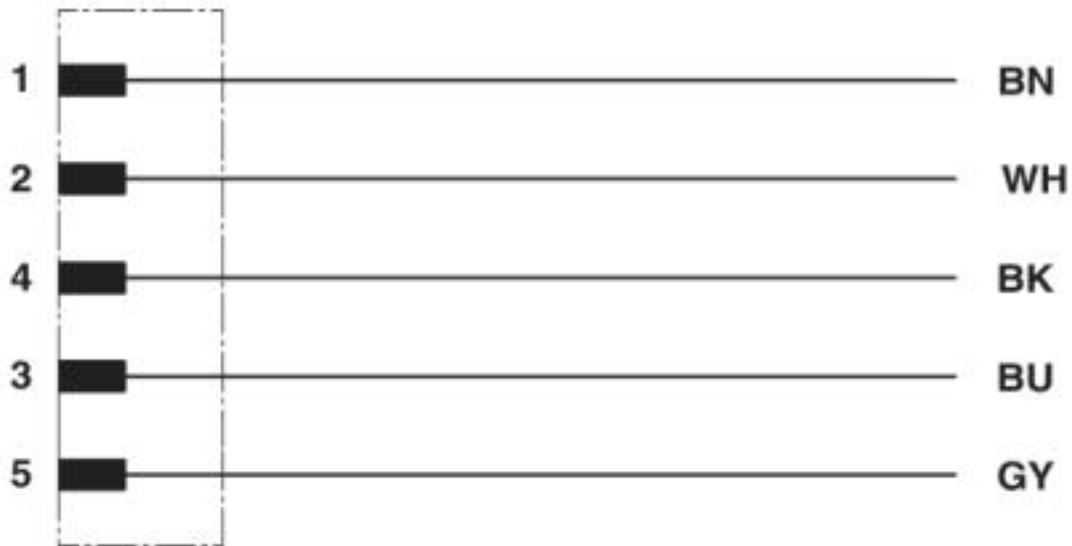
Dimensioned drawing



Housing cutout for M16 fastening thread, mounting panel with feed-through hole (alternatively with surface as protection against rotation)

Flush-type connector - SACC-E-MS-5CON-M16/0,5 SCO - 1520055

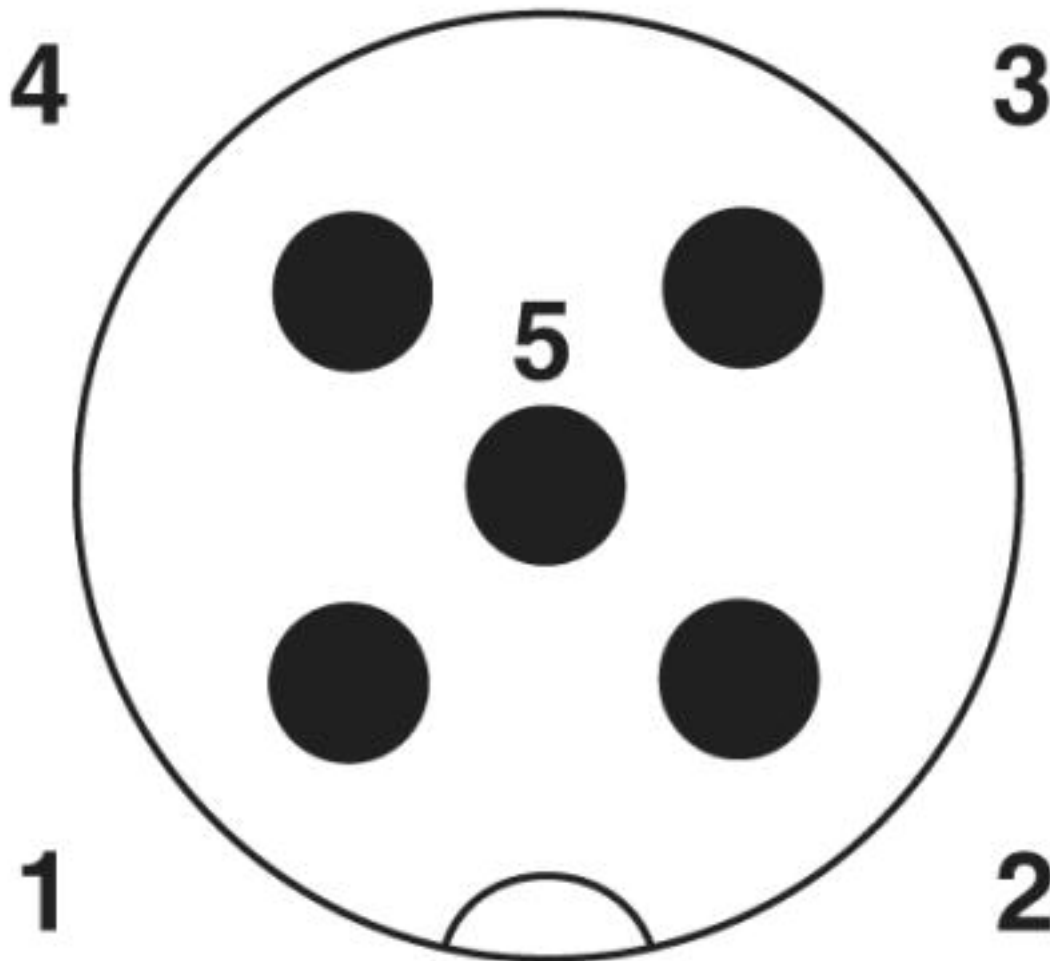
Circuit diagram



Contact assignment of the M12 plug and the M12 socket

Flush-type connector - SACC-E-MS-5CON-M16/0,5 SCO - 1520055

Schematic diagram



Pin assignment M12 male connector, 5-pos., A-coded, male side

© Phoenix Contact 2013 - all rights reserved
<http://www.phoenixcontact.com>