

# Flush-type connector - SACC-E-FS-5CON-M16/0,5 SCO - 1520039

Please be informed that the data shown in this PDF Document is generated from our Online Catalog. Please find the complete data in the user's documentation. Our General Terms of Use for Downloads are valid (<http://download.phoenixcontact.com>)



Sensor/Actuator flush-type socket, 5-pos., M12-SPEEDCON, A-coded, front/screw mounting with M16 thread, with 0.5 m TPE litz wire, 5 x 0.25 mm<sup>2</sup>



## Key commercial data

|                  |               |
|------------------|---------------|
| package_quantity | 1             |
| GTIN             | 4046356020121 |

## Technical data

### Dimensions

|                 |       |
|-----------------|-------|
| Length of cable | 0.5 m |
|-----------------|-------|

### Ambient conditions

|                                 |                                  |
|---------------------------------|----------------------------------|
| Ambient temperature (operation) | -25 °C ... 85 °C (Plug / socket) |
| Degree of protection            | IP67                             |

### General

|                        |                               |
|------------------------|-------------------------------|
| Rated current at 40°C  | 4 A                           |
| Rated voltage          | 60 V                          |
| Number of positions    | 5                             |
| Contact resistance     | ≤ 3 mΩ                        |
| Insulation resistance  | ≥ 100 MΩ                      |
| Coding                 | A - standard                  |
| Standards/regulations  | M12 connector IEC 61076-2-101 |
| Status display         | No                            |
| Surge voltage category | II                            |
| Pollution degree       | 3                             |
| Connection method      | Individual wires              |
| Mounting type          | Front mounting M16 x 1.5      |

### Material

|                                         |       |
|-----------------------------------------|-------|
| Inflammability class according to UL 94 | V0    |
| Contact material                        | CuZn  |
| Contact surface material                | Ni/Au |

# Flush-type connector - SACC-E-FS-5CON-M16/0,5 SCO - 1520039

## Technical data

### Material

|                                 |                              |
|---------------------------------|------------------------------|
| <b>Contact carrier material</b> | PA 66                        |
| <b>Material, knurls</b>         | Zinc die-cast, nickel-plated |
| <b>Sealing material</b>         | NBR                          |

### Cable

|                                           |                                              |
|-------------------------------------------|----------------------------------------------|
| <b>Cable type</b>                         | TPE litz wire                                |
| <b>Conductor cross section</b>            | 0.34 mm <sup>2</sup>                         |
| <b>AWG signal line</b>                    | 22                                           |
| <b>Conductor structure signal line</b>    | 7x 0.25 mm                                   |
| <b>Core diameter including insulation</b> | 1.2 mm ±0.07 mm                              |
| <b>Thickness, insulation</b>              | 0.21 mm                                      |
| <b>Wire colors</b>                        | Black, brown, blue, white, gray              |
| <b>Material conductor insulation</b>      | TPE                                          |
| <b>Conductor material</b>                 | Tin-plated Cu litz wires                     |
| <b>Insulation resistance</b>              | ≥ 20 MΩ*km                                   |
| <b>Conductor resistance</b>               | ≤ 57.6 mΩ/m                                  |
| <b>Nominal voltage, cable</b>             | 300 V                                        |
| <b>Test voltage, cable</b>                | 2000 V AC                                    |
| <b>Ambient temperature (operation)</b>    | -25 °C ... 90 °C (cable, fixed installation) |

## classifications

### eCl@ss

|                   |          |
|-------------------|----------|
| <b>eCl@ss 4.0</b> | 27140815 |
| <b>eCl@ss 4.1</b> | 27140815 |
| <b>eCl@ss 5.0</b> | 27143423 |
| <b>eCl@ss 5.1</b> | 27143423 |
| <b>eCl@ss 6.0</b> | 27143423 |
| <b>eCl@ss 7.0</b> | 27449001 |
| <b>eCl@ss 8.0</b> | 27449001 |

### ETIM

|                 |          |
|-----------------|----------|
| <b>ETIM 2.0</b> | EC001297 |
| <b>ETIM 3.0</b> | EC002061 |
| <b>ETIM 4.0</b> | EC002062 |
| <b>ETIM 5.0</b> | EC002062 |

### UNSPSC

|                      |          |
|----------------------|----------|
| <b>UNSPSC 6.01</b>   | 31251501 |
| <b>UNSPSC 7.0901</b> | 31251501 |
| <b>UNSPSC 11</b>     | 31251501 |
| <b>UNSPSC 12.01</b>  | 31251501 |
| <b>UNSPSC 13.2</b>   | 31251501 |

# Flush-type connector - SACC-E-FS-5CON-M16/0,5 SCO - 1520039

## approvals

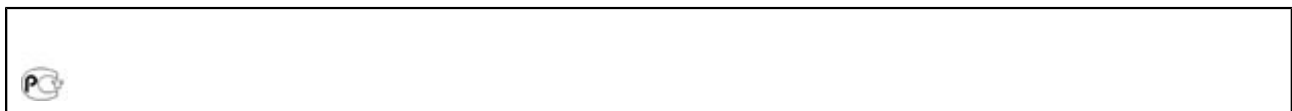
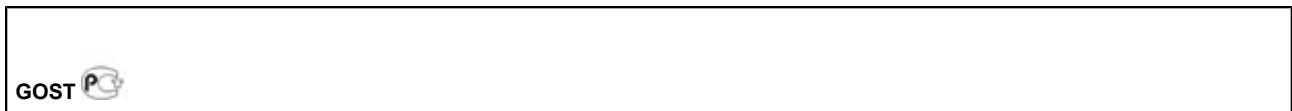
---

UL Recognized / GOST / GOST /

---

### Approval details

|                            |       |
|----------------------------|-------|
| <b>UL Recognized</b>       |       |
| Nominal voltage UN         | 60 V  |
| Nominal current IN         | 4 A   |
| mm <sup>2</sup> /AWG/kcmil | 26-20 |



### accessories

#### Flat nut

SACC-E-MU-M16 - 1504097

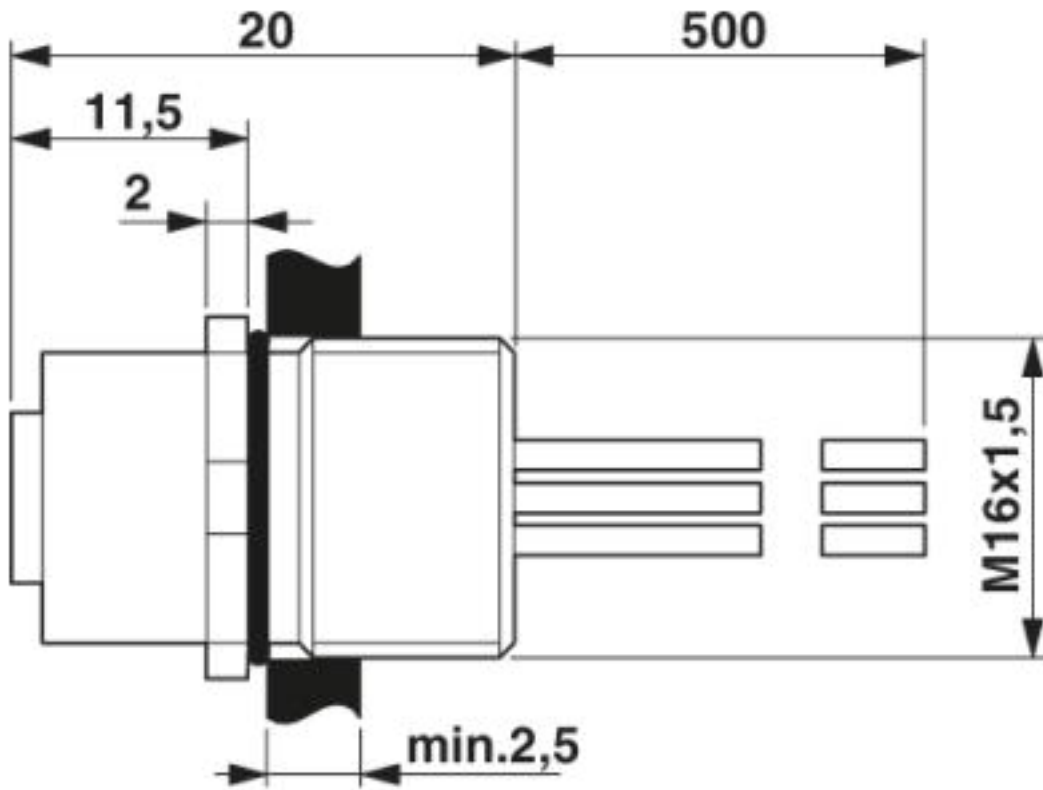


---

### Drawings

# Flush-type connector - SACC-E-FS-5CON-M16/0,5 SCO - 1520039

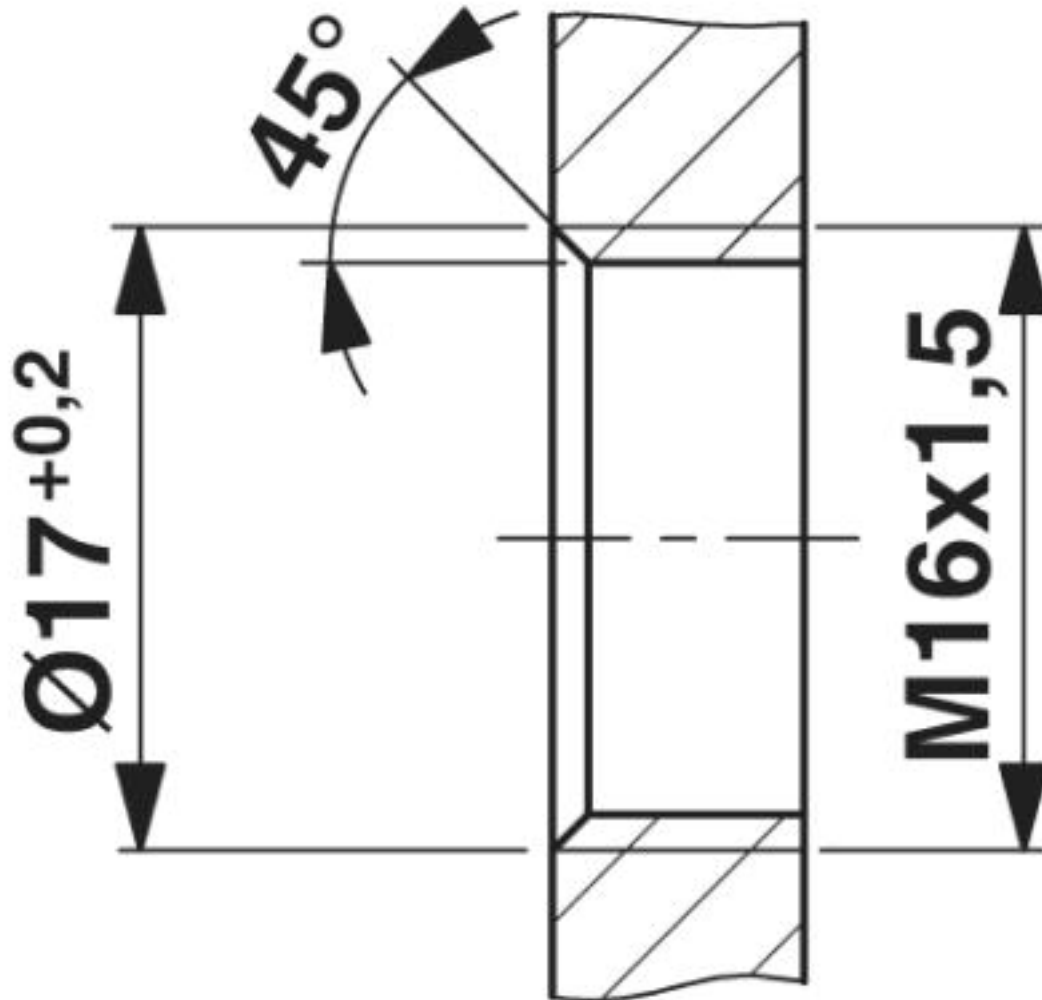
Dimensioned drawing



M12 flush-type plug

# Flush-type connector - SACC-E-FS-5CON-M16/0,5 SCO - 1520039

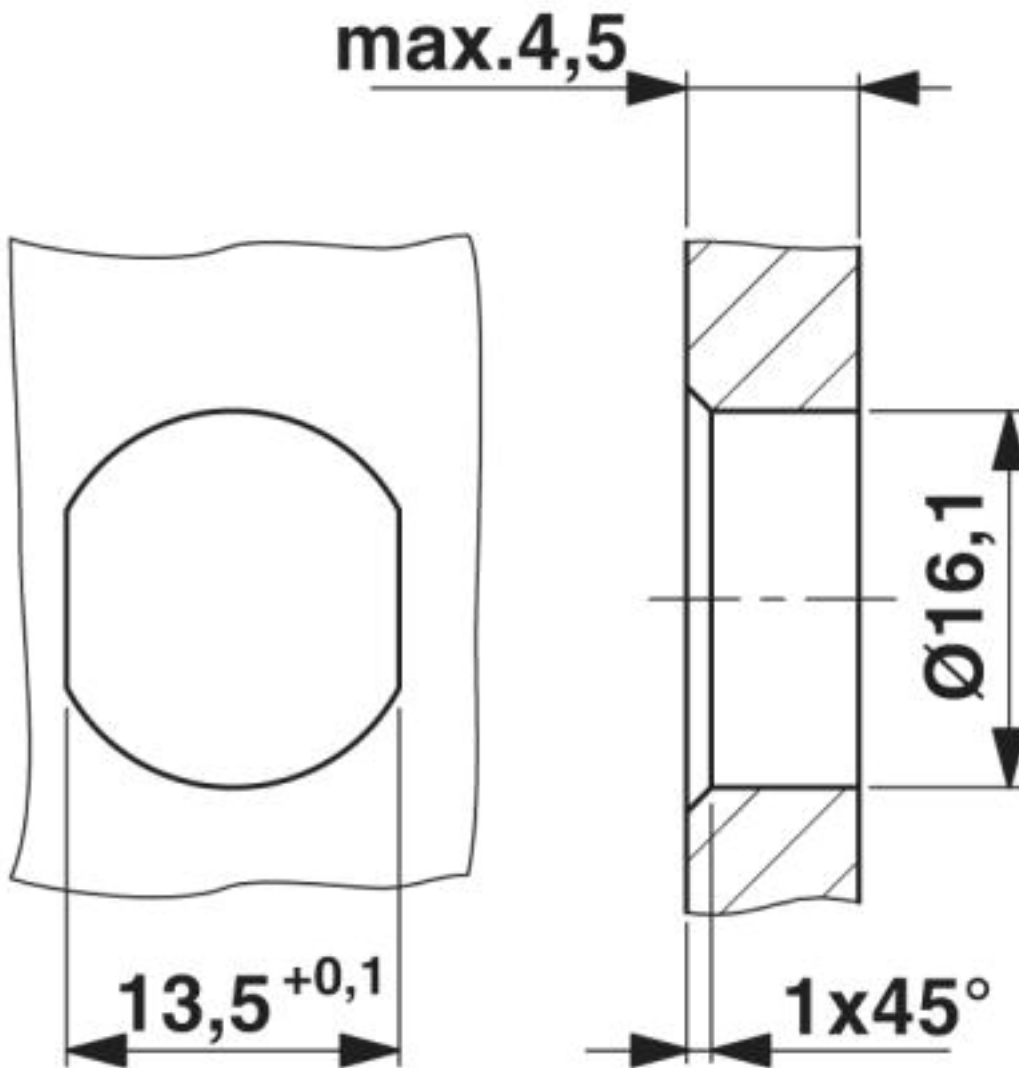
Dimensioned drawing



Housing cutout for M16 fastening thread, mounting panel with thread

# Flush-type connector - SACC-E-FS-5CON-M16/0,5 SCO - 1520039

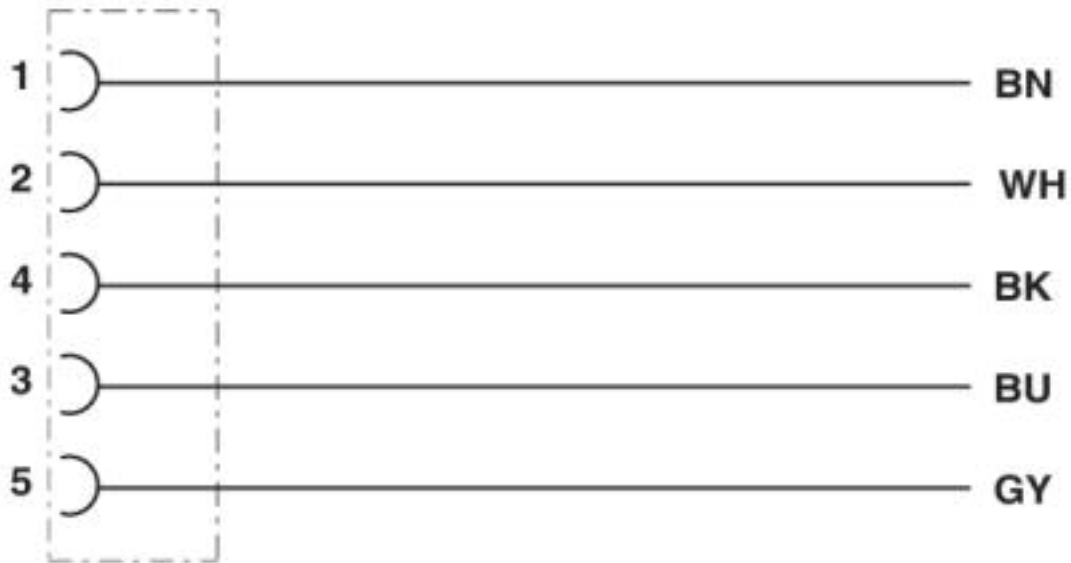
Dimensioned drawing



Housing cutout for M16 fastening thread, mounting panel with feed-through hole (alternatively with surface as protection against rotation)

# Flush-type connector - SACC-E-FS-5CON-M16/0,5 SCO - 1520039

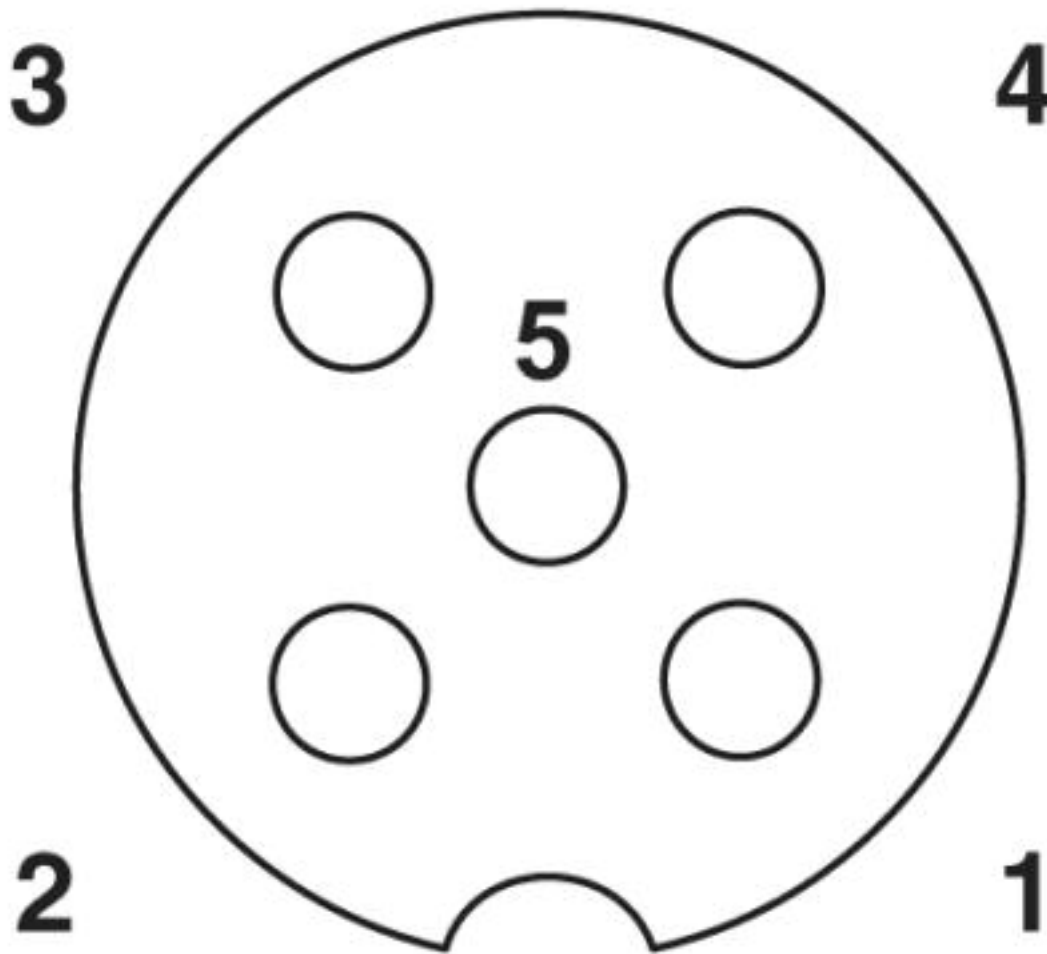
Circuit diagram



Contact assignment of the M12 plug and the M12 socket

# Flush-type connector - SACC-E-FS-5CON-M16/0,5 SCO - 1520039

Schematic diagram



Pin assignment M12 socket, 5-pos., A-coded, socket side view

© Phoenix Contact 2013 - all rights reserved  
<http://www.phoenixcontact.com>