

Flat nut - SACC-E-MU-M16 - 1504097

Please be informed that the data shown in this PDF Document is generated from our Online Catalog. Please find the complete data in the user's documentation. Our General Terms of Use for Downloads are valid (<http://download.phoenixcontact.com>)



Flat nut with M16 thread

Key commercial data

package_quantity	100
GTIN	4017918833473

Technical data

General

Mounting type	M16 x 1.5
----------------------	-----------

Material

Material, knurls	Nickel-plated brass
-------------------------	---------------------

classifications

eCl@ss

eCl@ss 4.0	23110701
eCl@ss 4.1	23110701
eCl@ss 5.0	23110701
eCl@ss 5.1	23110701
eCl@ss 6.0	23110701
eCl@ss 7.0	23110701
eCl@ss 8.0	23110701

ETIM

ETIM 2.0	EC000129
ETIM 3.0	EC000129
ETIM 4.0	EC000129
ETIM 5.0	EC000129

UNSPSC

UNSPSC 6.01	31251501
UNSPSC 7.0901	31251501
UNSPSC 11	31251501
UNSPSC 12.01	31251501

Flat nut - SACC-E-MU-M16 - 1504097

classifications

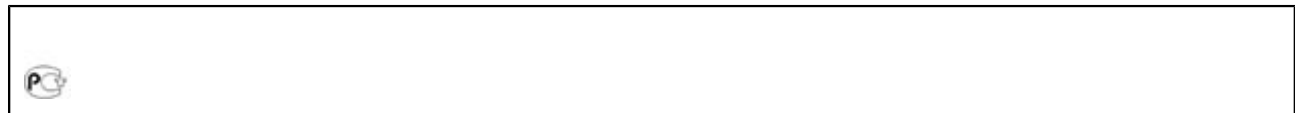
UNSPSC

UNSPSC 13.2	31251501
-------------	----------

approvals

GOST / GOST /

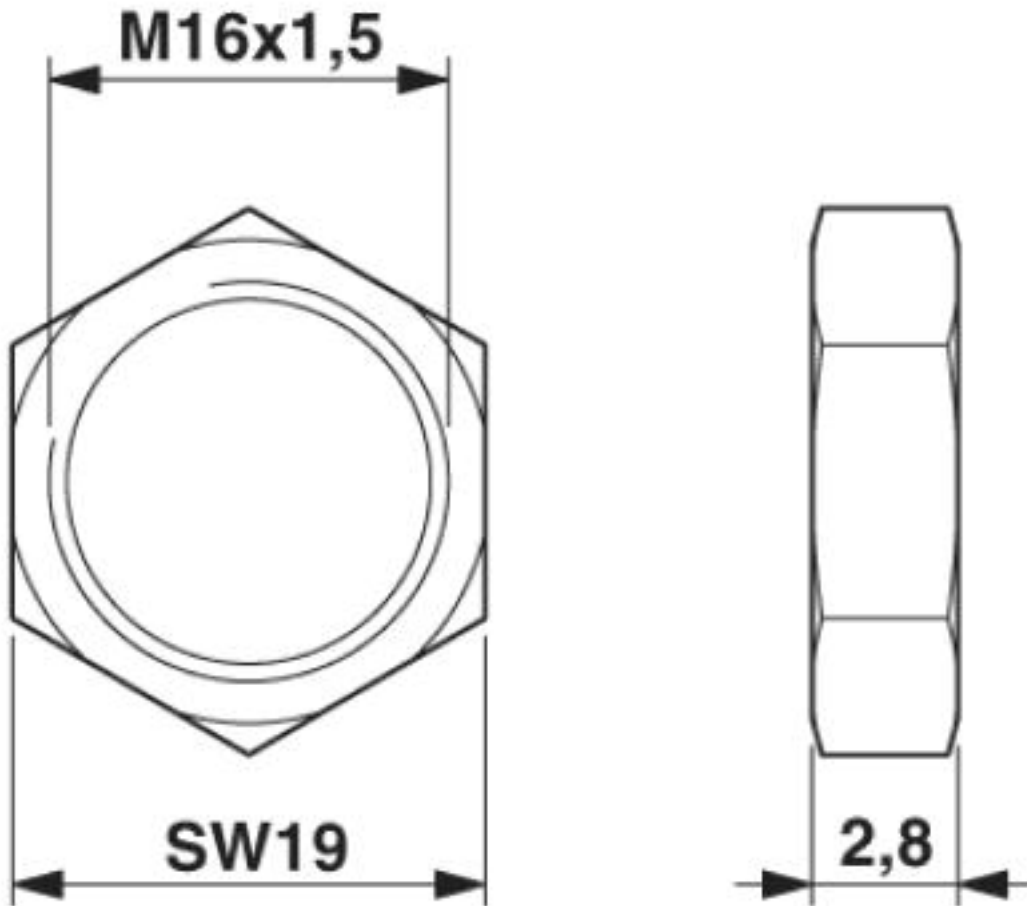
Approval details



Drawings

Flat nut - SACC-E-MU-M16 - 1504097

Dimensioned drawing



Flat nut M16

© Phoenix Contact 2013 - all rights reserved
<http://www.phoenixcontact.com>