

# Panel feed-through - SACC-E-M12MS-5CON-PG9/0,5 - 1671111

Please be informed that the data shown in this PDF Document is generated from our Online Catalog. Please find the complete data in the user's documentation. Our General Terms of Use for Downloads are valid (<http://download.phoenixcontact.com>)



Sensor/Actuator flush-type plug, 5-pos., M12, A-coded, front/screw mounting with Pg9 thread, with 0.5 m TPE litz wire, 5 x 0.34 mm<sup>2</sup>

## Key commercial data

package_quantity	1
GTIN	4017918134969

## Technical data

### Dimensions

Length of cable	0.5 m
-----------------	-------

### Ambient conditions

Ambient temperature (operation)	-25 °C ... 85 °C (Plug / socket)
Degree of protection	IP67

### General

Rated current at 40°C	4 A
Rated voltage	60 V
Number of positions	5
Contact resistance	≤ 3 mΩ
Insulation resistance	> 100 MΩ
Coding	A - standard
Standards/regulations	M12 connector IEC 61076-2-101
Status display	No
Surge voltage category	II
Pollution degree	3
Connection method	Individual wires
Insertion/withdrawal cycles	≥ 100
Mounting type	Front mounting Pg9

### Material

Inflammability class according to UL 94	V0
Contact material	CuZn
Contact surface material	Ni/Au
Contact carrier material	PA66

# Panel feed-through - SACC-E-M12MS-5CON-PG9/0,5 - 1671111

## Technical data

### Material

<b>Material, knurls</b>	Nickel-plated brass
<b>Sealing material</b>	NBR

### Cable

<b>Cable type</b>	TPE litz wire
<b>Conductor cross section</b>	0.34 mm <sup>2</sup>
<b>AWG signal line</b>	22
<b>Conductor structure signal line</b>	7x 0.25 mm
<b>Core diameter including insulation</b>	1.2 mm ±0.07 mm
<b>Thickness, insulation</b>	0.21 mm
<b>Wire colors</b>	Black, brown, blue, white, gray
<b>Material conductor insulation</b>	TPE
<b>Conductor material</b>	Tin-plated Cu litz wires
<b>Insulation resistance</b>	≥ 20 MΩ*km
<b>Conductor resistance</b>	≤ 57.6 Ω/km
<b>Nominal voltage, cable</b>	300 V
<b>Test voltage, cable</b>	2000 V AC
<b>Ambient temperature (operation)</b>	-25 °C ... 90 °C (cable, fixed installation)

## classifications

### eCl@ss

<b>eCl@ss 4.0</b>	27140815
<b>eCl@ss 4.1</b>	27140815
<b>eCl@ss 5.0</b>	27143423
<b>eCl@ss 5.1</b>	27143423
<b>eCl@ss 6.0</b>	27143423
<b>eCl@ss 7.0</b>	27449001
<b>eCl@ss 8.0</b>	27449001

### ETIM

<b>ETIM 2.0</b>	EC001297
<b>ETIM 3.0</b>	EC002061
<b>ETIM 4.0</b>	EC002062
<b>ETIM 5.0</b>	EC002062

### UNSPSC

<b>UNSPSC 6.01</b>	31251501
<b>UNSPSC 7.0901</b>	31251501
<b>UNSPSC 11</b>	31251501
<b>UNSPSC 12.01</b>	31251501
<b>UNSPSC 13.2</b>	31251501

# Panel feed-through - SACC-E-M12MS-5CON-PG9/0,5 - 1671111

## approvals

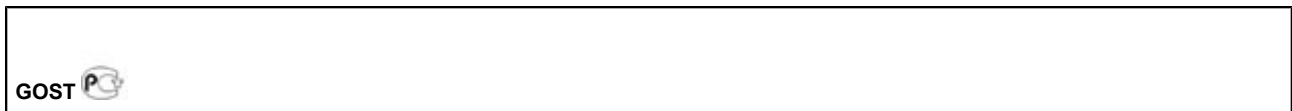
---

UL Recognized / GOST / GOST /

---

### Approval details

<b>UL Recognized</b>	
Nominal voltage UN	60 V
Nominal current IN	4 A
mm <sup>2</sup> /AWG/kcmil	26-20



### accessories

#### Flat nut

SACC-E-MU-PG9 - 1504084

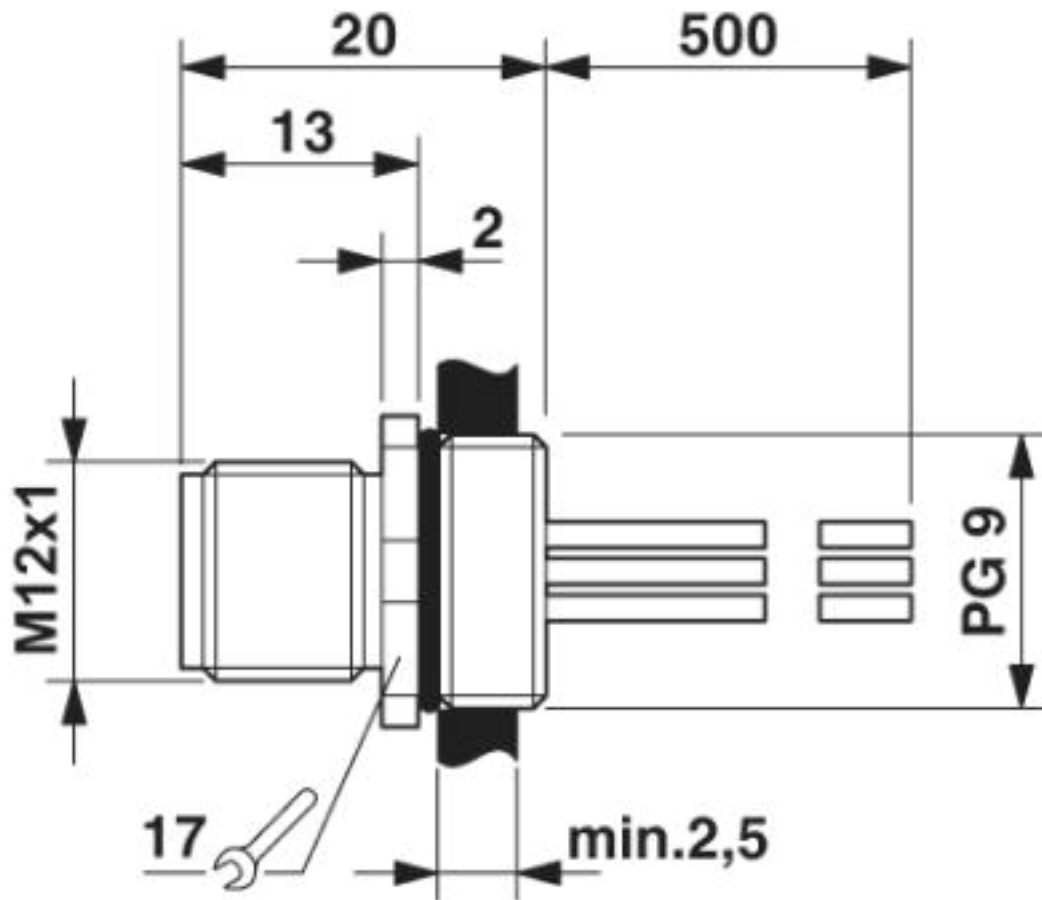


---

### Drawings

# Panel feed-through - SACC-E-M12MS-5CON-PG9/0,5 - 1671111

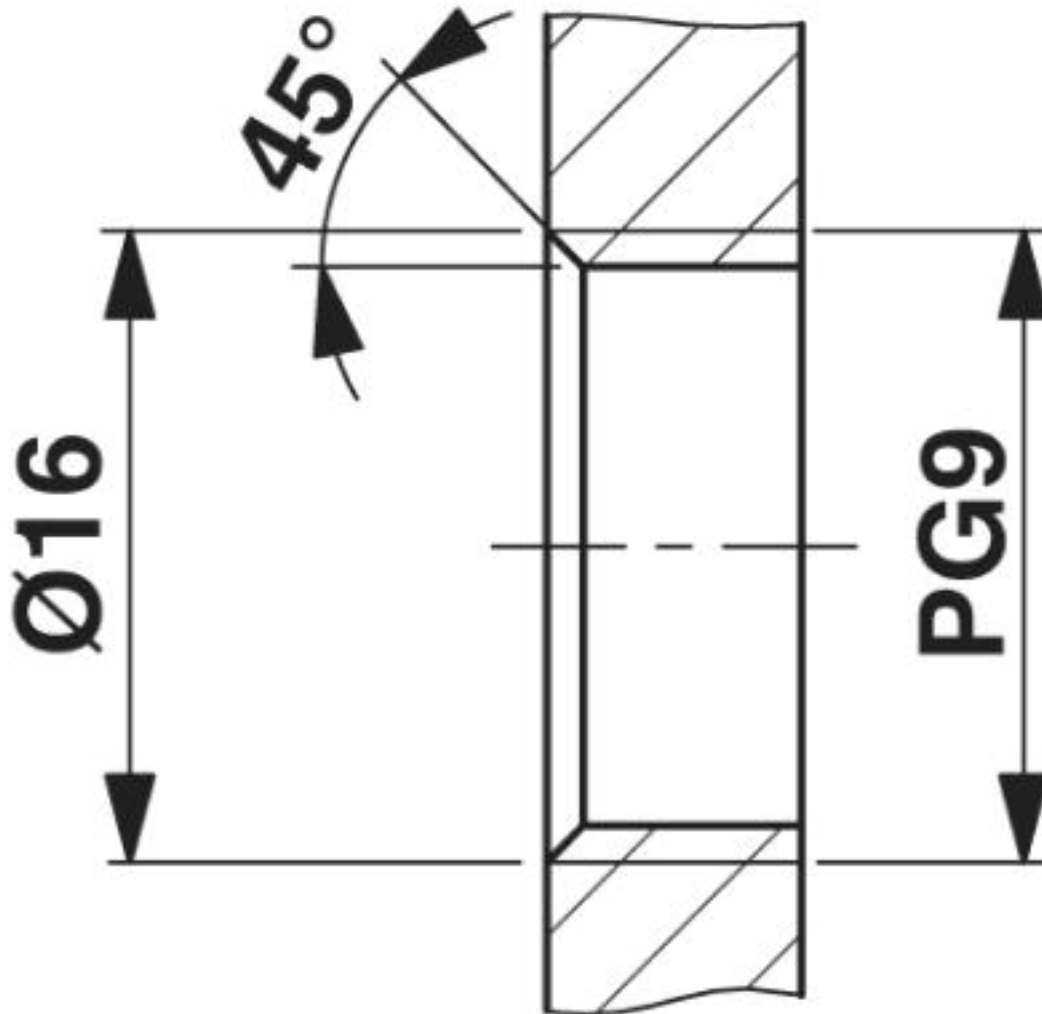
Dimensioned drawing



M12 flush-type plug, can be positioned

# Panel feed-through - SACC-E-M12MS-5CON-PG9/0,5 - 1671111

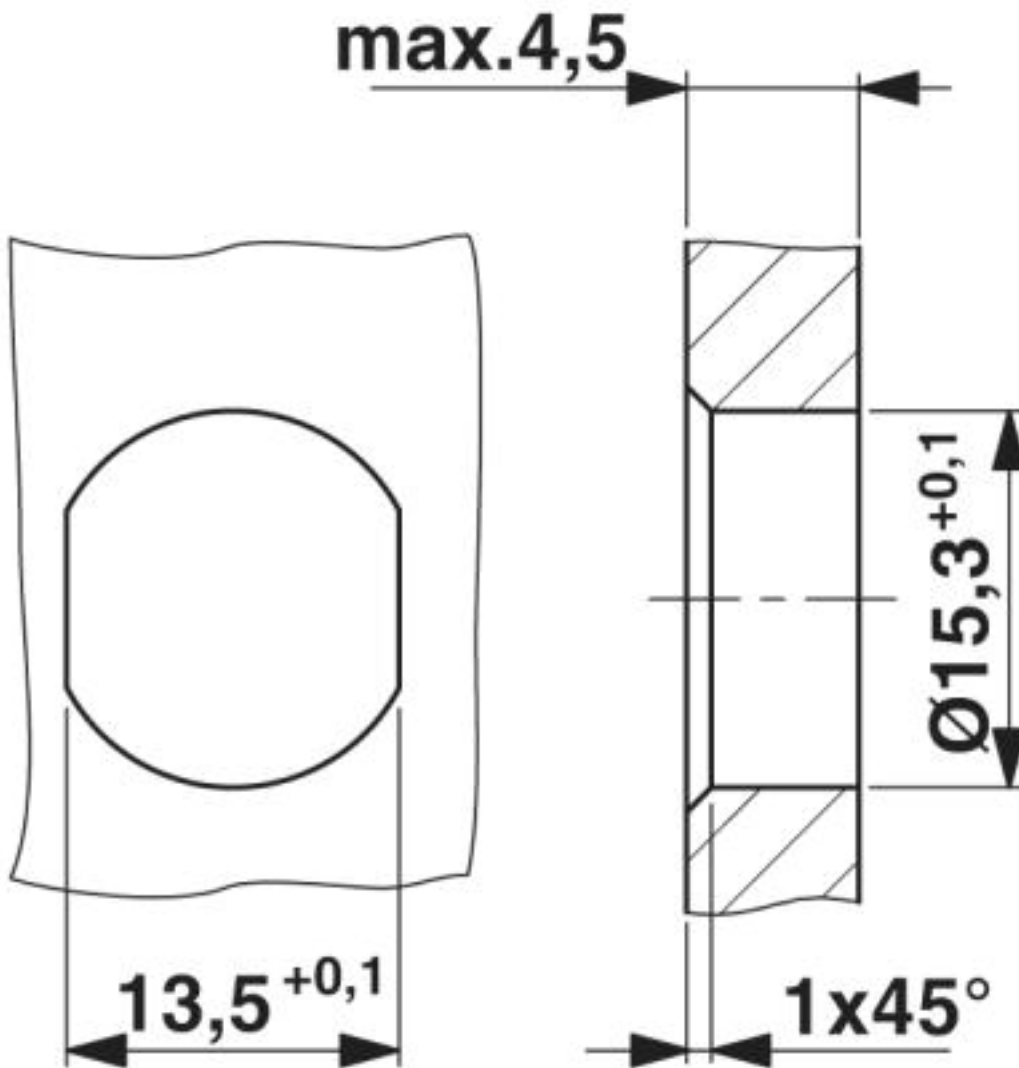
Dimensioned drawing



Housing cutout for Pg9 fastening thread, mounting panel with thread

# Panel feed-through - SACC-E-M12MS-5CON-PG9/0,5 - 1671111

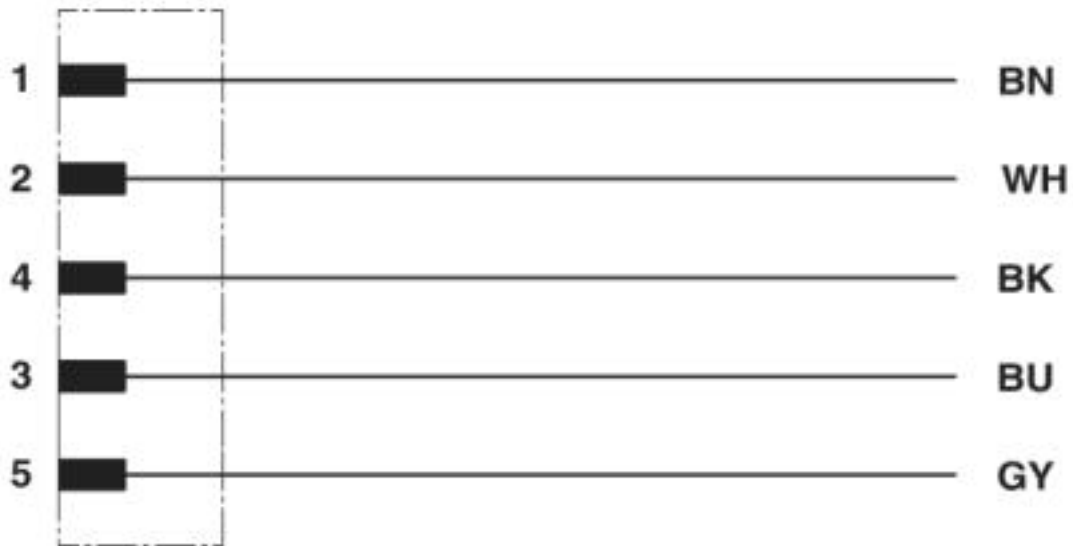
Dimensioned drawing



Housing cutout for Pg9 fastening thread, mounting panel with feed-through hole (alternatively with surface as protection against rotation)

## Panel feed-through - SACC-E-M12MS-5CON-PG9/0,5 - 1671111

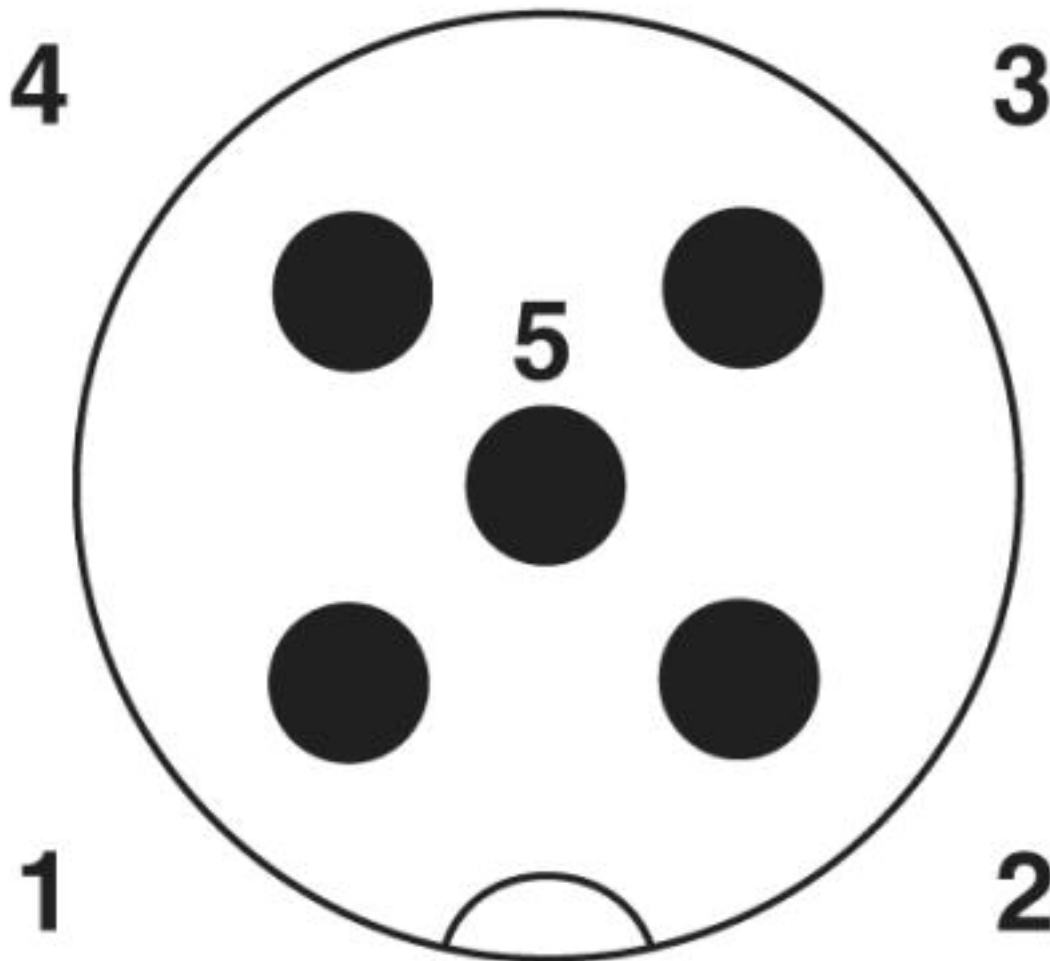
Circuit diagram



Contact assignment of the M12 plug and the M12 socket

# Panel feed-through - SACC-E-M12MS-5CON-PG9/0,5 - 1671111

Schematic diagram



Pin assignment M12 male connector, 5-pos., A-coded, male side

© Phoenix Contact 2013 - all rights reserved  
<http://www.phoenixcontact.com>