

Panel feed-through - SACC-E-M12FS-5CON-PG9/0,5 - 1671098

Please be informed that the data shown in this PDF Document is generated from our Online Catalog. Please find the complete data in the user's documentation. Our General Terms of Use for Downloads are valid (<http://download.phoenixcontact.com>)



Sensor/Actuator flush-type socket, 5-pos., M12, A-coded, front/screw mounting with Pg9 thread, with 0.5 m TPE litz wire, 5x 0.34 mm²

Key commercial data

| | |
|------------------|---------------|
| package_quantity | 1 |
| GTIN | 4017918134945 |

Technical data

Dimensions

| | |
|-----------------|-------|
| Length of cable | 0.5 m |
|-----------------|-------|

Ambient conditions

| | |
|---------------------------------|----------------------------------|
| Ambient temperature (operation) | -25 °C ... 85 °C (Plug / socket) |
| Degree of protection | IP67 |

General

| | |
|-----------------------------|-------------------------------|
| Rated current at 40°C | 4 A |
| Rated voltage | 60 V |
| Number of positions | 5 |
| Contact resistance | ≤ 3 mΩ |
| Insulation resistance | > 100 MΩ |
| Coding | A - standard |
| Standards/regulations | M12 connector IEC 61076-2-101 |
| Status display | No |
| Surge voltage category | II |
| Pollution degree | 3 |
| Connection method | Individual wires |
| Insertion/withdrawal cycles | ≥ 100 |
| Mounting type | Front mounting Pg9 |

Material

| | |
|---|-------|
| Inflammability class according to UL 94 | V0 |
| Contact material | CuZn |
| Contact surface material | Ni/Au |
| Contact carrier material | PA66 |

Panel feed-through - SACC-E-M12FS-5CON-PG9/0,5 - 1671098

Technical data

Material

| | |
|-------------------------|---------------------|
| Material, knurls | Nickel-plated brass |
| Sealing material | NBR |

Cable

| | |
|---|--|
| Cable type | TPE litz wire |
| Conductor cross section | 0.34 mm ² |
| AWG signal line | 22 |
| Conductor structure signal line | 7x 0.25 mm |
| Core diameter including insulation | 1.2 mm ±0.07 mm |
| Thickness, insulation | 0.21 mm |
| Wire colors | Black, brown, blue, white, gray |
| Material conductor insulation | TPE |
| Conductor material | Tin-plated Cu litz wires |
| Insulation resistance | ≥ 20 MΩ*km |
| Conductor resistance | ≤ 57.6 Ω/km |
| Nominal voltage, cable | 300 V |
| Test voltage, cable | 2000 V AC |
| Ambient temperature (operation) | -25 °C ... 90 °C (cable, fixed installation) |

classifications

eCl@ss

| | |
|-------------------|----------|
| eCl@ss 4.0 | 27140815 |
| eCl@ss 4.1 | 27140815 |
| eCl@ss 5.0 | 27143423 |
| eCl@ss 5.1 | 27143423 |
| eCl@ss 6.0 | 27143423 |
| eCl@ss 7.0 | 27449001 |
| eCl@ss 8.0 | 27449001 |

ETIM

| | |
|-----------------|----------|
| ETIM 2.0 | EC001297 |
| ETIM 3.0 | EC002061 |
| ETIM 4.0 | EC002062 |
| ETIM 5.0 | EC002062 |

UNSPSC

| | |
|----------------------|----------|
| UNSPSC 6.01 | 31251501 |
| UNSPSC 7.0901 | 31251501 |
| UNSPSC 11 | 31251501 |
| UNSPSC 12.01 | 31251501 |
| UNSPSC 13.2 | 31251501 |

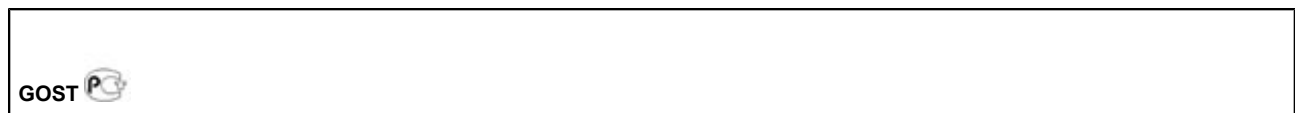
Panel feed-through - SACC-E-M12FS-5CON-PG9/0,5 - 1671098

approvals

UL Recognized / GOST / GOST /

Approval details

| | |
|----------------------------|-------|
| UL Recognized | |
| Nominal voltage UN | 60 V |
| Nominal current IN | 4 A |
| mm ² /AWG/kcmil | 26-20 |



accessories

Flat nut

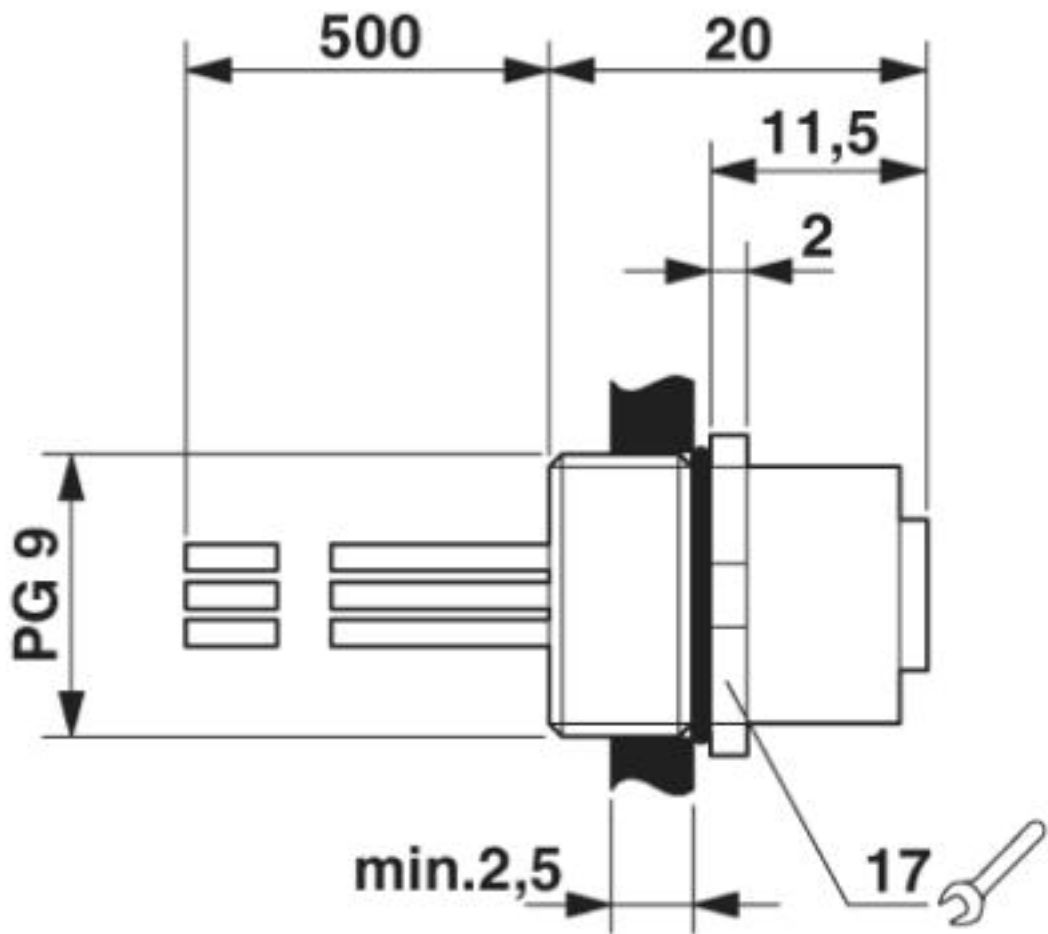
SACC-E-MU-PG9 - 1504084



Drawings

Panel feed-through - SACC-E-M12FS-5CON-PG9/0,5 - 1671098

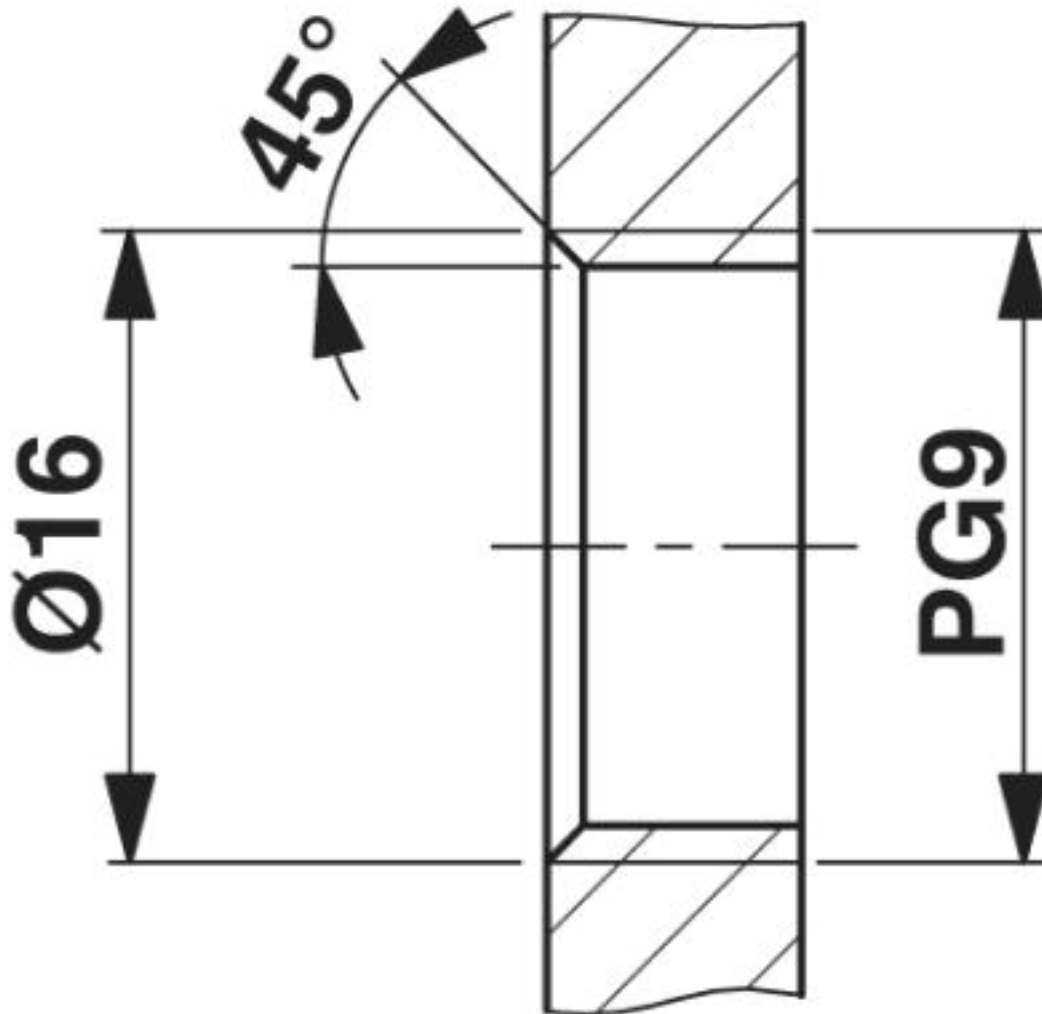
Dimensioned drawing



M12 flush-type connector

Panel feed-through - SACC-E-M12FS-5CON-PG9/0,5 - 1671098

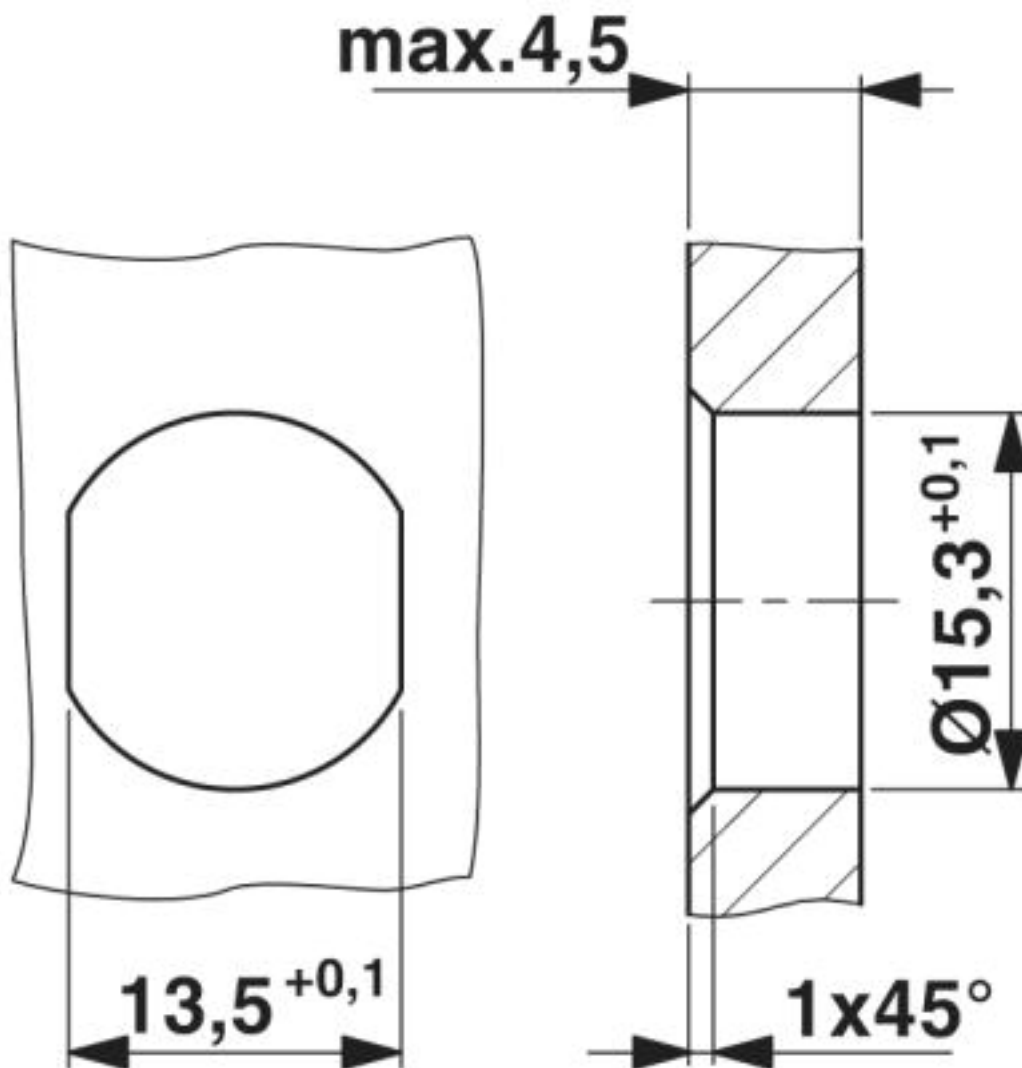
Dimensioned drawing



Housing cutout for Pg9 fastening thread, mounting panel with thread

Panel feed-through - SACC-E-M12FS-5CON-PG9/0,5 - 1671098

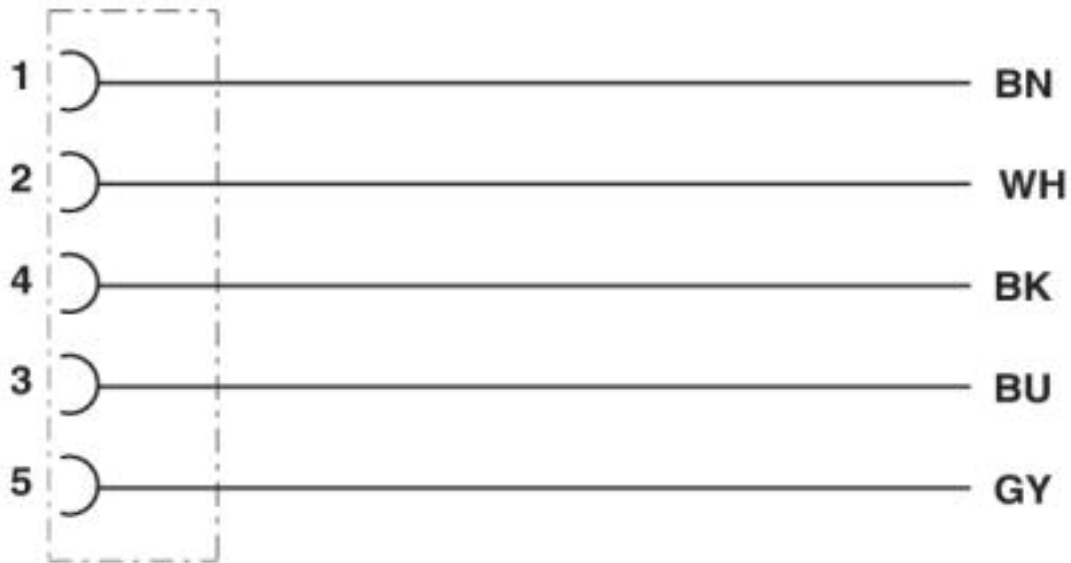
Dimensioned drawing



Housing cutout for Pg9 fastening thread, mounting panel with feed-through hole (alternatively with surface as protection against rotation)

Panel feed-through - SACC-E-M12FS-5CON-PG9/0,5 - 1671098

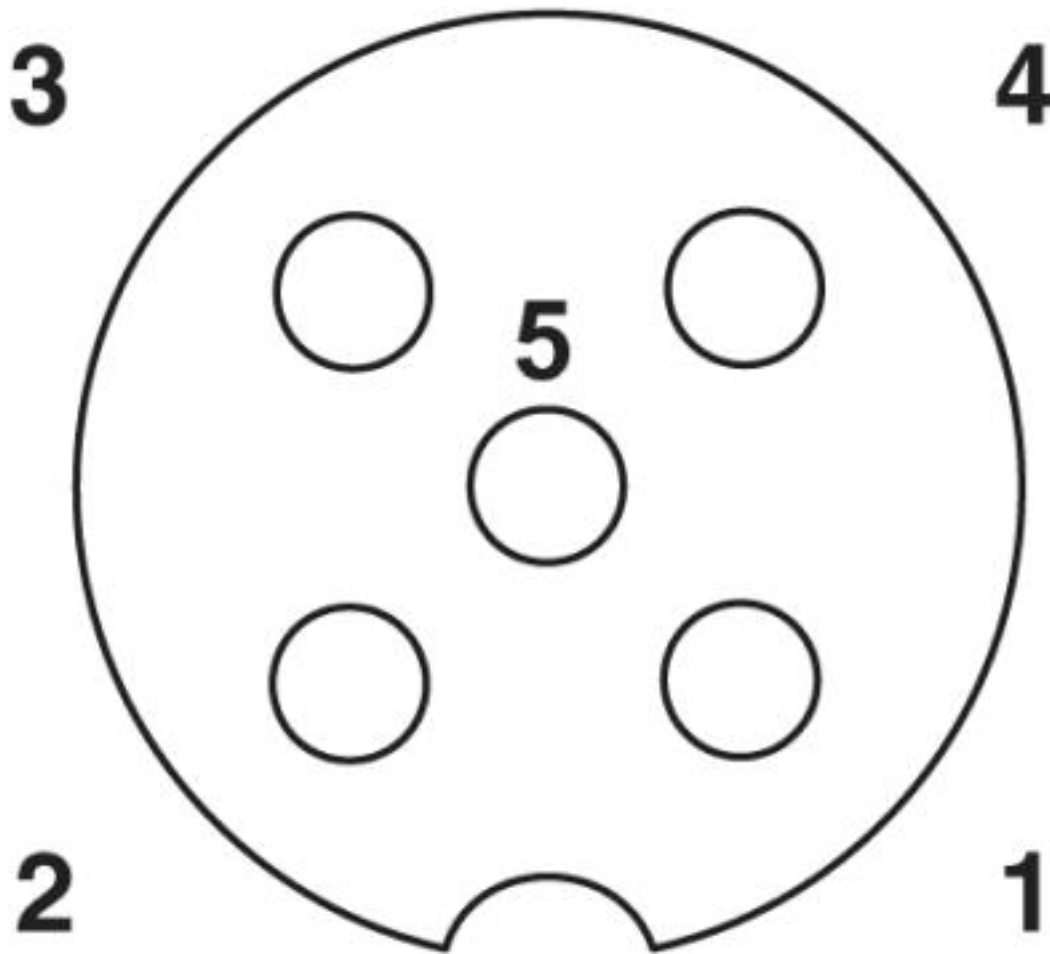
Circuit diagram



Contact assignment of the M12 plug and the M12 socket

Panel feed-through - SACC-E-M12FS-5CON-PG9/0,5 - 1671098

Schematic diagram



Pin assignment M12 socket, 5-pos., A-coded, socket side view

© Phoenix Contact 2013 - all rights reserved
<http://www.phoenixcontact.com>