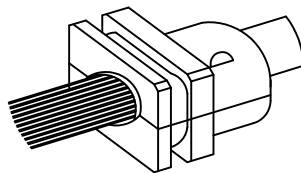
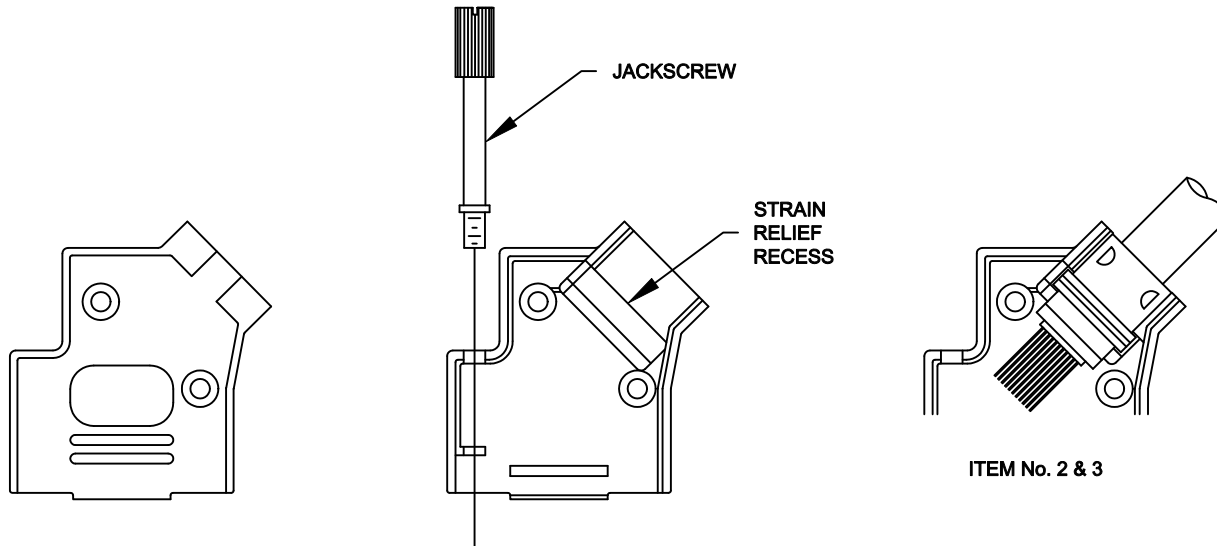


## ASSEMBLY INSTRUCTIONS:

1. PREPARE CABLE AS REQUIRED TO ASSEMBLE TO THE CONNECTOR.
2. CHOOSE THE STRAIN RELIEF HALVES THAT MOST CLOSELY MATCH THE CABLE O/D AND PLACE ONE INTO EACH RECESS. THEY DO NOT NEED TO BE MATCHING HALVES.
3. PLACE THE CABLE INTO THE STRAIN RELIEF IN ONE HALF OF THE PLASTIC HOOD. ENSURE THE CABLE IS PRESSED INTO THE STRAIN RELIEF PIECE.
4. SNAP THE JACKSCREWS INTO POSITION.
5. INSERT THE CONNECTOR INTO THE BOTTOM HALF OF PLASTIC HOOD. PLACE THE OTHER HALF OF THE PLASTIC HOOD INTO PLACE AND TIGHTEN TOGETHER WITH THE ASSEMBLY SCREWS AND NUTS.



CABLE WITHOUT  
SHIELD OR GROUND

## PLASTIC

THESE DRAWINGS AND SPECIFICATIONS ARE THE PROPERTY OF MH CONNECTORS LTD. AND SHALL NOT BE REPRODUCED, COPIED OR USED AS THE BASIS FOR THE MANUFACTURE OR SALE OF APPARATUS WITHOUT WRITTEN PERMISSION.

|                     |                  |
|---------------------|------------------|
| DRAWN<br>P. JENKINS | DATE<br>03-23-12 |
|---------------------|------------------|

|                      |                  |
|----------------------|------------------|
| APPROVED<br>D. CROFT | DATE<br>03-23-12 |
|----------------------|------------------|

|              |                    |           |
|--------------|--------------------|-----------|
| SCALE<br>NTS | SHEET OF<br>1 OF 1 | REV:<br>A |
|--------------|--------------------|-----------|

|                                 |
|---------------------------------|
| DRAWING No<br>MHD45PPK ASSEMBLY |
|---------------------------------|



**MH CONNECTORS LTD.**