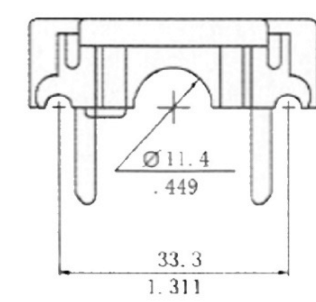
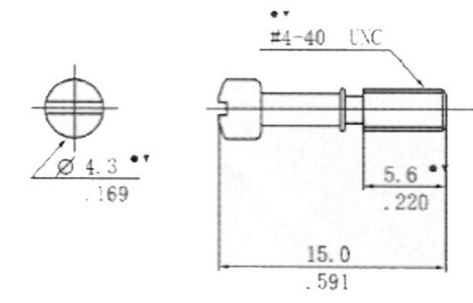
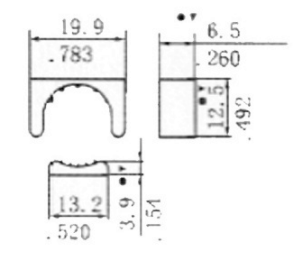
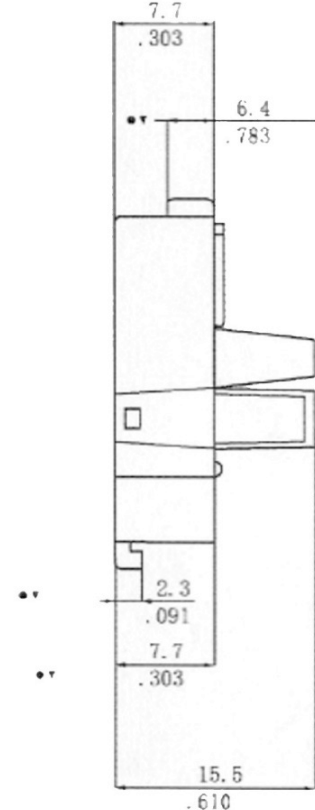
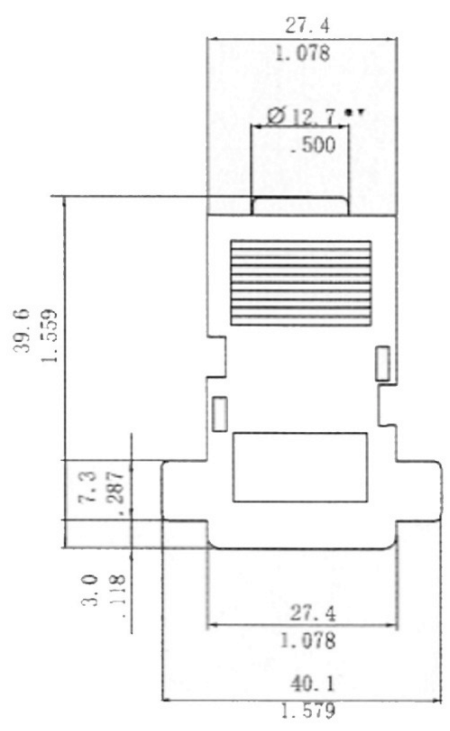


No.	Changes and/or Note No.	Date	Intr.	No.	Changes and/or Note No.	Date	Intr.



DATE 02/04/08	DRAWN AS	SCALE	MATERIAL TYPE	
P/N:2360-0101-02,15 WAYS,BK P/N:2360-0101-12,15 WAYS,LG	APPROVED		REPLACES	
			CCOV-15SN-LGREY CCOV-15SN-BLACK	
			DRAWING No.	