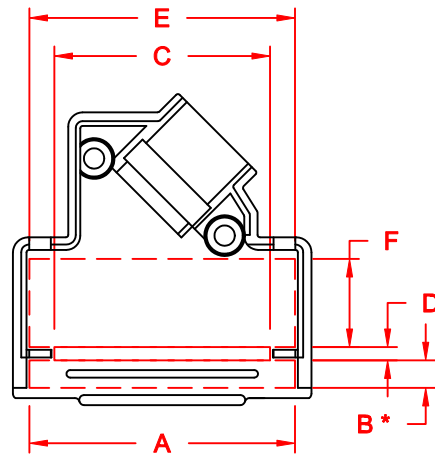
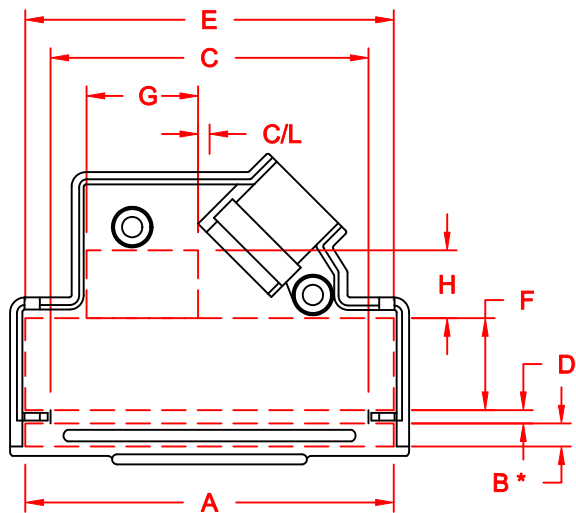


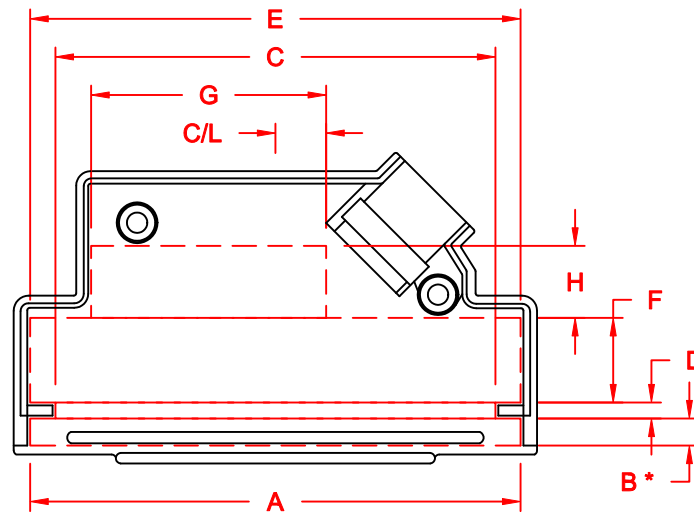
9-PIN



15-PIN



25-PIN



37-PIN

		DIMENSIONS (mm)			
		9	15	25	37
A	SEE NOTE 1. →	26.94	35.43	49.14	65.43
B*		3.42	3.68	3.07	3.60
C		23.62	28.77	42.41	58.69
D		1.77	1.77	1.77	2.13
E		26.94	35.43	49.14	65.43
F		5.28	11.76	12.26	11.30
G		13.5		16.40	24.58
H		5.60		9.06	9.60
C/L	SEE NOTE 2. →	10.20		1.52	6.78
PCB		10.71	10.71	10.54	10.61

NOTE:

- "B" DIMENSION MEASURED FROM BACK SIDE OF CONNECTOR FLANGE
- MIN. SAFE SPACING BETWEEN BACK SHELLS FOR PCB MOUNTED COMPONENTS
- THESE DIMENSIONS ARE GOOD FOR THE BLACK CHROMATE AND NICKEL PLATED DIE CAST BACK SHELLS

DIE CAST

THESE DRAWINGS AND SPECIFICATIONS ARE THE PROPERTY OF MH CONNECTORS LTD. AND SHALL NOT BE REPRODUCED, COPIED OR USED AS THE BASIS FOR THE MANUFACTURE OR SALE OF APPARATUS WITHOUT WRITTEN PERMISSION.

DRAWN	DATE
P. JENKINS	03-23-12

APPROVED	DATE
D. CROFT	03-23-12

SCALE	SHEET	OF	REV:
NTS	1	OF 1	A

DRAWING No  
MHD45ZK INTERNAL



MH CONNECTORS LTD.