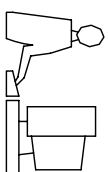
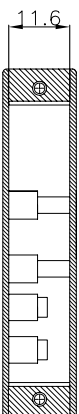
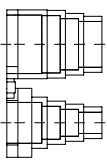


THIS IS A C.A.D. GENERATED DRAWING  
DO NOT MAKE MANUAL REVISIONS TO MASTER.



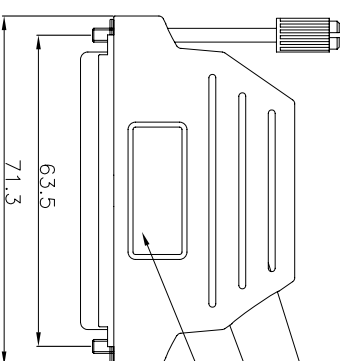
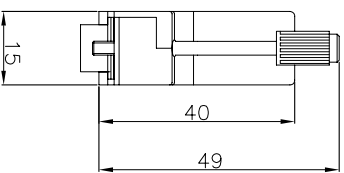
\* UNLESS OTHERWISE SPECIFIED TOLERANCES  
ON DECIMAL IS: ANGLE  $\pm 1^\circ$   
UNIT: MM .XX  $\pm 0.35$

- BACKSHELL KIT INCLUDES:**
- (2) BACKSHELL HALVES
  - (1) 4-40 THUMBSCREWS
  - (1) MATING SCREW (FULL METAL)
  - (2) CLAMP SCREWS
  - (1) METAL CLAMP
  - (1) PLASTIC CLAMP



DIMENSIONS(mm/in)				
SIZE	A $\pm 0.10$	B $\pm 0.10$	C $\pm 0.10$	D $\pm 0.13$
37	71.3	40.0	15.00	63.50
	2.807	1.575	0.591	2.500

Bypacked 2 grommets,  
only with metalized version  
(Optional plastic version)



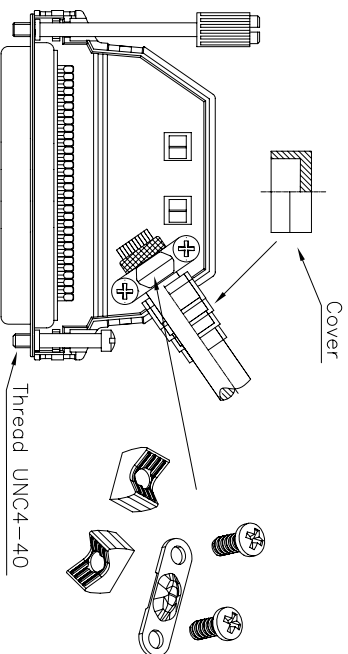
max O.D 11,5mm

Logo upon request

**ORDERING INFORMATION:**

SIZE	P/N - KITED	PRODUCT CODE
37-WAY	6260-0106-14	MHDSSK-M-37-S-K

SIZE	P/N - BULK	PRODUCT CODE
37-WAY	6261-0106-14	MHDSSK-M-37-S



**BACKSHELL MATERIAL:** ABS,UL RECOGNIZED  
**PLATING:** NICKEL  
**JACKSCREWS:** STEEL:ZIN PLATED WITH PLASTIC KNOB  
**COMPRESSION INSERT:** ABS,UL RECOGNIZED  
**CLAMP SCREW:** STEEL:ZIN PLATED  
**OPERATING TEMP:** -55°C TO+110°C



THIS SERIES FULLY CONFORMS TO THE  
EUROPEAN UNION DIRECTIVES 2002/95/EC  
AND 2002/96/EC FOR ROHS COMPLIANCY.

THESE DRAWINGS AND SPECIFICATIONS ARE THE  
PROPERTY OF MH CONNECTORS LTD. AND SHALL NOT  
BE REPRODUCED, COPIED OR USED AS THE BASIS FOR  
THE MANUFACTURE OR SALE OF APPARATUS WITHOUT  
WRITTEN PERMISSION.

DRAWN	DATE
Johnny	12-05-12
APPROVED	DATE

SCALE	SHEET	OF	REV:
1:1	1	DF 1	1.0
DRAWING No MHDSSK-M-37-S			



**MH CONNECTORS LTD.**