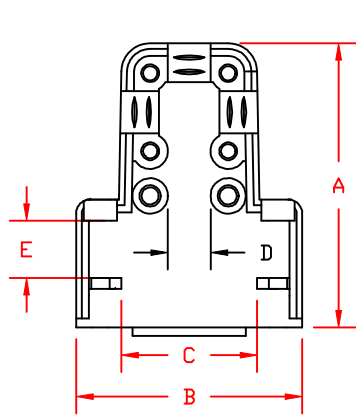


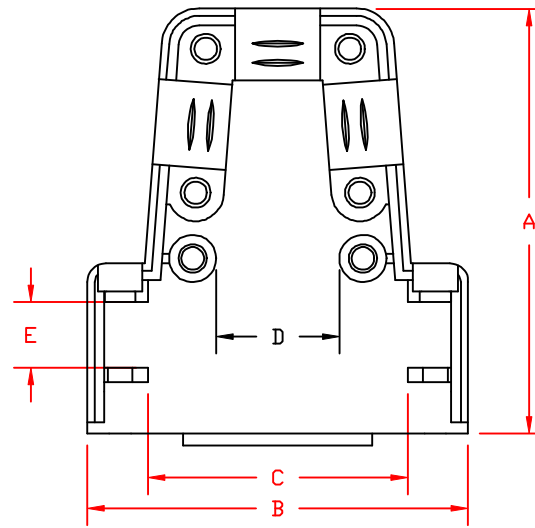
DIMENSIONS (mm)				
	9	15	25	37
A	39.97	44.98	44.98	44.98
B	31.90	40.28	54.00	70.48
C	19.25	28.34	41.98	58.01
D	6.01	13.00	19.98	31.11
E	7.21	7.21	7.21	7.21

NOTE:

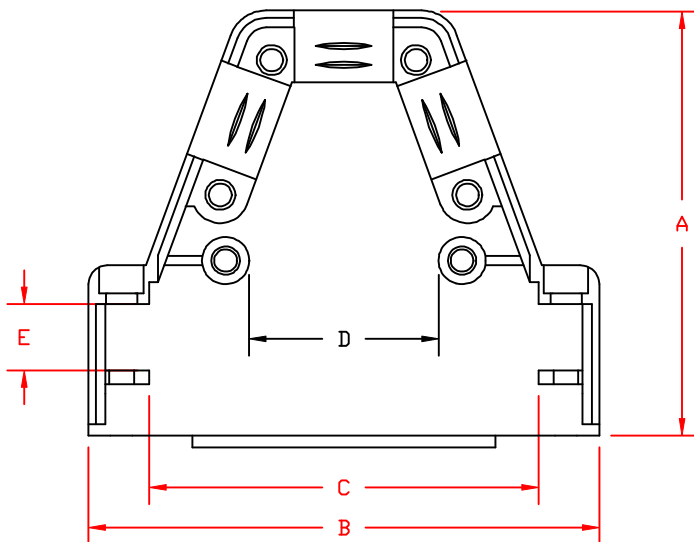
THESE DIMENSIONS ARE GOOD FOR THE PLASTIC AND METALIZED PLASTIC BACK SHELLS



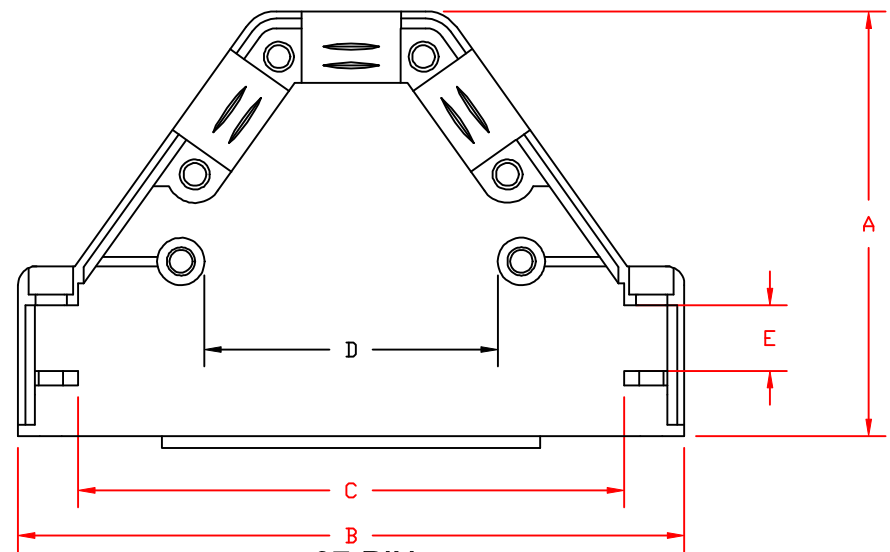
9-PIN



15-PIN



25-PIN



37-PIN

PLASTIC

THESE DRAWINGS AND SPECIFICATIONS ARE THE PROPERTY OF MH CONNECTORS LTD. AND SHALL NOT BE REPRODUCED, COPIED OR USED AS THE BASIS FOR THE MANUFACTURE OR SALE OF APPARATUS WITHOUT WRITTEN PERMISSION.

DRAWN P. JENKINS	DATE 03-23-12
----------------------------	-------------------------

APPROVED D. CROFT	DATE 03-23-12
-----------------------------	-------------------------

SCALE NTS	SHEET OF 1 OF 1	REV: A
---------------------	---------------------------	------------------

DRAWING No
MHTRI-P INTERNAL



MH CONNECTORS LTD.