

Sensor/actuator connector - SACC-M12FS-4QO-0,34-M - 1641688

Please be informed that the data shown in this PDF Document is generated from our Online Catalog. Please find the complete data in the user's documentation. Our General Terms of Use for Downloads are valid (<http://download.phoenixcontact.com>)



Sensor/actuator connector, 4-position, Socket straight M12, A-coded, Insulation displacement connection, Knurl material: Zinc die-cast, nickel-plated, External cable diameter 3.5 mm ... 6 mm

Product Features

- Safe use in the field, thanks to a high degree of protection
- Flexible: connectors for on-site assembly
- Insulation displacement connection: innovative and time-saving assembly without stripping the single wire

Key commercial data

package_quantity	1
GTIN	4017918925178

Technical data

Dimensions

Wrench size, union nut	13 mm
External diameter	3.5 mm ... 6 mm

Ambient conditions

Ambient temperature (operation)	-25 °C ... 80 °C (Plug / socket)
Ambient temperature (assembly)	-5 °C ... 50 °C (During assembly)
Degree of protection	IP65
Degree of protection	IP67

General

Rated current at 40°C	4 A
Rated voltage	125 V
Number of positions	4
Contact resistance	≤ 5 mΩ
Insulation resistance	≥ 100 MΩ
Coding	A - standard
Standards/regulations	M12 connector IEC 61076-2-101
Status display	No
Surge voltage category	II
Pollution degree	3
Connection method	Insulation displacement connection
Conductor cross section	0.14 mm ² ... 0.34 mm ²

Sensor/actuator connector - SACC-M12FS-4QO-0,34-M - 1641688

Technical data

General

AWG conductor cross section	26 ... 22
Wire diameter including insulation	0.7 mm ... 1.6 mm
Frequency of connections between conductors of the same cross section	10
Wire insulation material	PVC / PE
Structure of individual litz in acc. with VDE 0295 / smallest wire diameter	Class 2-6
Insertion/withdrawal cycles	≥ 100
Torque	0.4 Nm (M12 knurl)
Torque	0.8 Nm (Pressure nut)
Assembly instructions	AWG 20 conductor cross section upon request

Material

Inflammability class according to UL 94	V0
Contact material	CuSn
Contact surface material	Ni/Au
Contact carrier material	TPU
Material of grip body	PA 6
Material, knurls	Zinc die-cast, nickel-plated
Sealing material	NBR

classifications

eCl@ss

eCl@ss 4.0	27140815
eCl@ss 4.1	27140815
eCl@ss 5.0	27143423
eCl@ss 5.1	27143423
eCl@ss 6.0	27143423
eCl@ss 7.0	27449001
eCl@ss 8.0	27449001

ETIM

ETIM 2.0	EC001121
ETIM 3.0	EC002062
ETIM 4.0	EC002062
ETIM 5.0	EC002062

UNSPSC

UNSPSC 6.01	31261501
UNSPSC 7.0901	31261501
UNSPSC 11	31261501
UNSPSC 12.01	31261501
UNSPSC 13.2	31261501

Sensor/actuator connector - SACC-M12FS-4QO-0,34-M - 1641688

approvals

UL Recognized / cUL Recognized / GOST / cULus Recognized /

Approval details

UL Recognized	
Nominal voltage UN	125 V
Nominal current IN	4 A
mm ² /AWG/kcmil	22

cUL Recognized	
Nominal voltage UN	125 V
Nominal current IN	4 A
mm ² /AWG/kcmil	22

GOST

cULus Recognized

accessories

Torque tool

TSD 04 SAC - 1208429



Sensor/actuator connector - SACC-M12FS-4QO-0,34-M - 1641688

accessories

TSD-M 1,2NM - 1212224



Screwdriver tools

SAC BIT M12-D15 - 1208432



TSD-M SAC-BIT ADAPTER - 1212600



SAC BIT QUICKON-W13 - 1212033



Protective cap

PROT-M12 MS-PA-CHAIN - 1430899



Cable by the meter

Sensor/actuator connector - SACC-M12FS-4QO-0,34-M - 1641688

accessories

SAC-4P-100,0-PUR/0,25 - 1501692

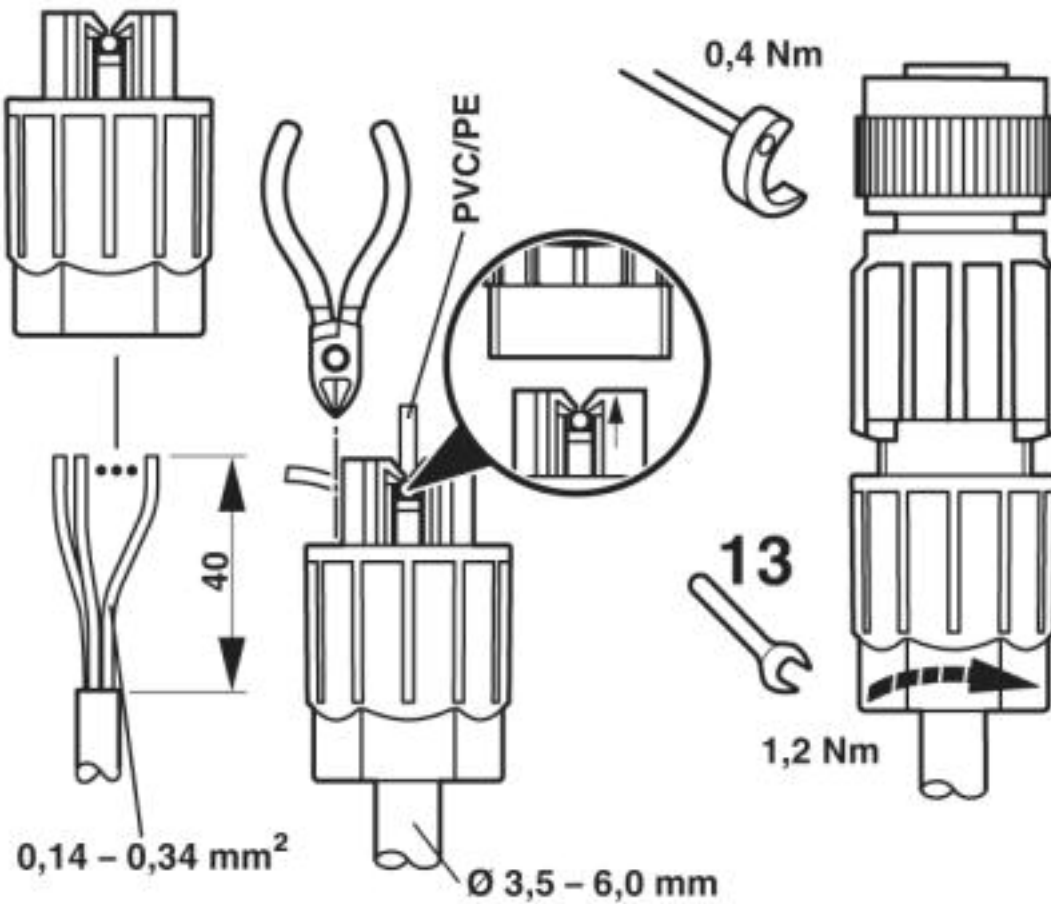


SAC-4P-100,0-PUR/0,34 - 1501663



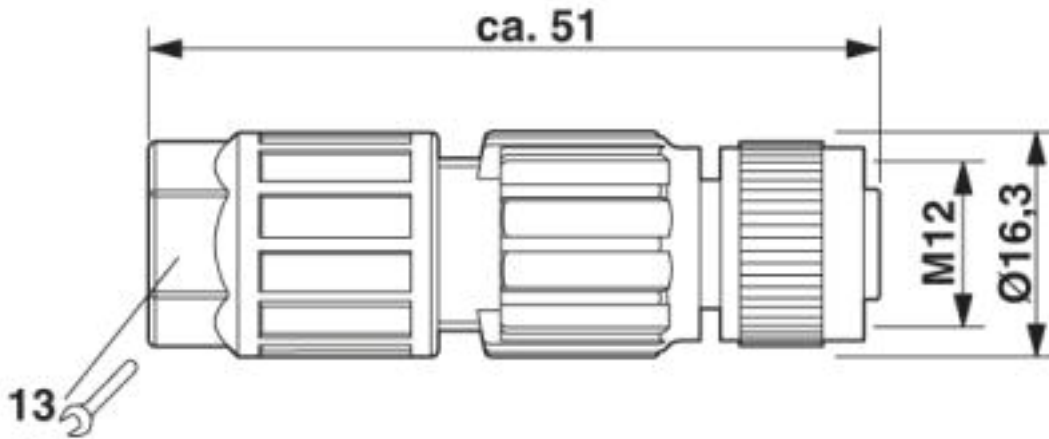
Drawings

Functional drawing



Sensor/actuator connector - SACC-M12FS-4QO-0,34-M - 1641688

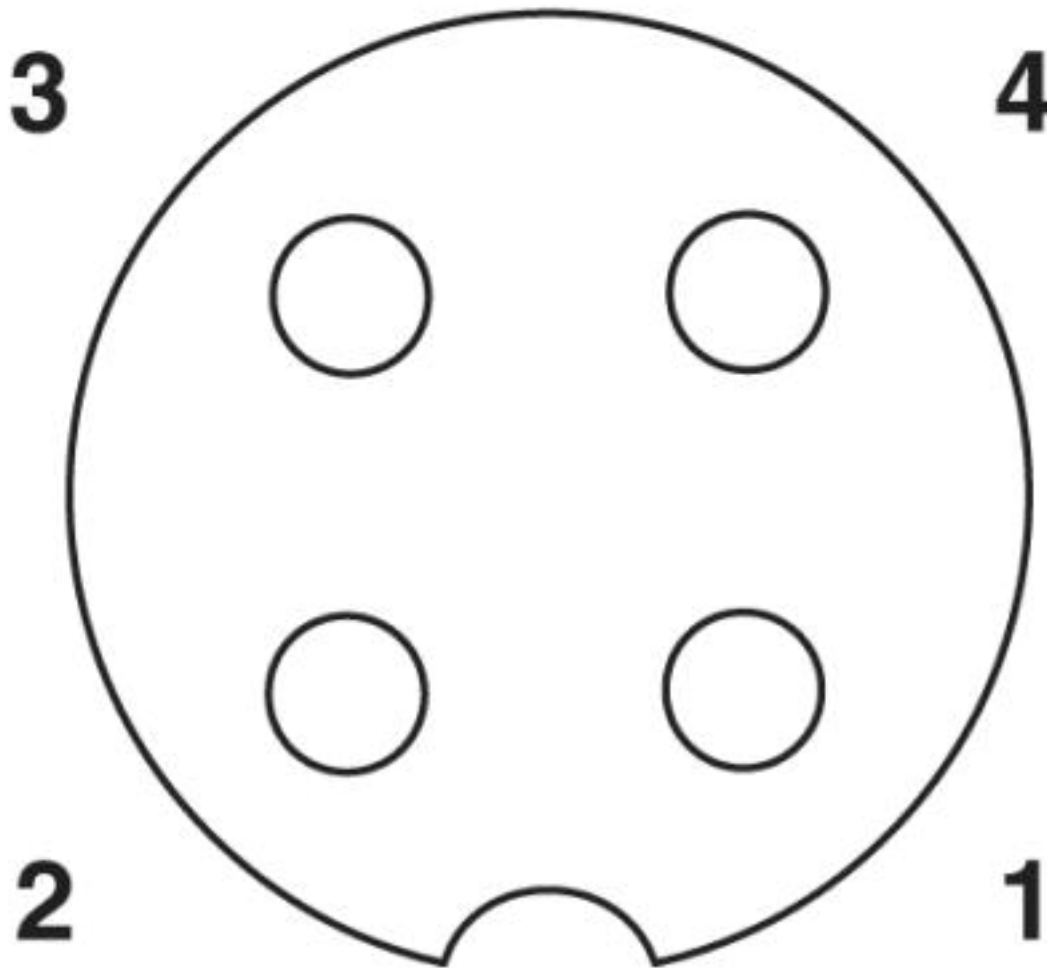
Dimensioned drawing



M12 x 1 socket, straight

Sensor/actuator connector - SACC-M12FS-4QO-0,34-M - 1641688

Schematic diagram



Pin assignment M12 socket, 4-pos., A-coded, view female side

© Phoenix Contact 2013 - all rights reserved
<http://www.phoenixcontact.com>