

# Connector - SACC-M 8FS-4CON-M - 1681185

Please be informed that the data shown in this PDF Document is generated from our Online Catalog. Please find the complete data in the user's documentation. Our General Terms of Use for Downloads are valid (<http://download.phoenixcontact.com>)



Sensor/actuator connector, female, straight, 4-pos., M8, solder connection, metal knurl, cable diameter max. 5 mm

## Product Features

- Safe use in the field, thanks to a high degree of protection
- Flexible: connectors for on-site assembly

## Key commercial data

package_quantity	1
GTIN	4017918157531

## Technical data

### Dimensions

External diameter	3.5 mm ... 5 mm
Stripping length of the sheath	12 mm
Stripping length of the individual wire	3 mm

### Ambient conditions

Ambient temperature (operation)	-40 °C ... 85 °C
Degree of protection	IP67

### General

Rated current at 40°C	4 A
Rated voltage	30 V
Number of positions	4
Contact resistance	≤ 3 mΩ
Insulation resistance	≥ 100 MΩ
Coding	A - standard
Standards/regulations	M8 connector IEC 61076-2-104
Status display	No
Surge voltage category	II
Pollution degree	3
Connection method	Solder connection
Conductor cross section	0.08 mm <sup>2</sup> ... 0.25 mm <sup>2</sup>
AWG conductor cross section	28 ... 22

# Connector - SACC-M 8FS-4CON-M - 1681185

## Technical data

### General

Insertion/withdrawal cycles	≥ 100
Torque	0.2 Nm (M8 knurl)

### Material

Inflammability class according to UL 94	V0
Contact material	CuSn
Contact surface material	Au
Contact carrier material	PUR / PA66
Material of grip body	PBT
Material, knurls	Nickel-plated brass
Sealing material	NBR

## classifications

### eCl@ss

eCl@ss 4.0	27140815
eCl@ss 4.1	27140815
eCl@ss 5.0	27260701
eCl@ss 5.1	27260701
eCl@ss 6.0	27279221
eCl@ss 7.0	27440104
eCl@ss 8.0	27440104

### ETIM

ETIM 2.0	EC001121
ETIM 3.0	EC002062
ETIM 4.0	EC002062
ETIM 5.0	EC002062

### UNSPSC

UNSPSC 6.01	31251501
UNSPSC 7.0901	31251501
UNSPSC 11	31251501
UNSPSC 12.01	31251501
UNSPSC 13.2	31251501

## approvals

---

GOST / GOST /

---

### Approval details

## Connector - SACC-M 8FS-4CON-M - 1681185

approvals



accessories

### Seal

SACC-M 8-SET/2,2-3,5 - 1436945



---

### Torque tool

TSD 02 SAC - 1208487



---

TSD-M 1,2NM - 1212224



---

### Screwdriver tools

SACC BIT M8-D12 - 1208474



## Connector - SACC-M 8FS-4CON-M - 1681185

### accessories

---

TSD-M SAC-BIT ADAPTER - 1212600



### Protective cap

---

PROT-M 8 MS-PA-CHAIN - 1430860



### Cable by the meter

---

SAC-4P-100,0-PUR/0,25 - 1501692

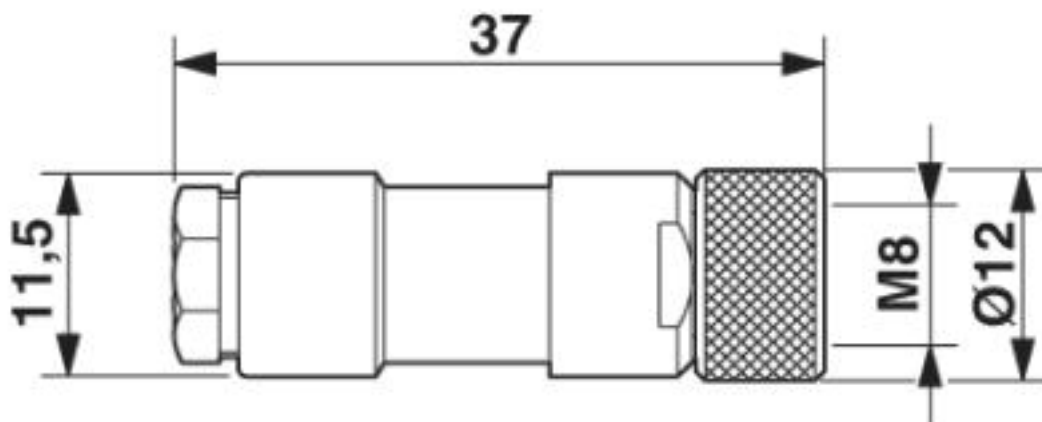


### Drawings

---

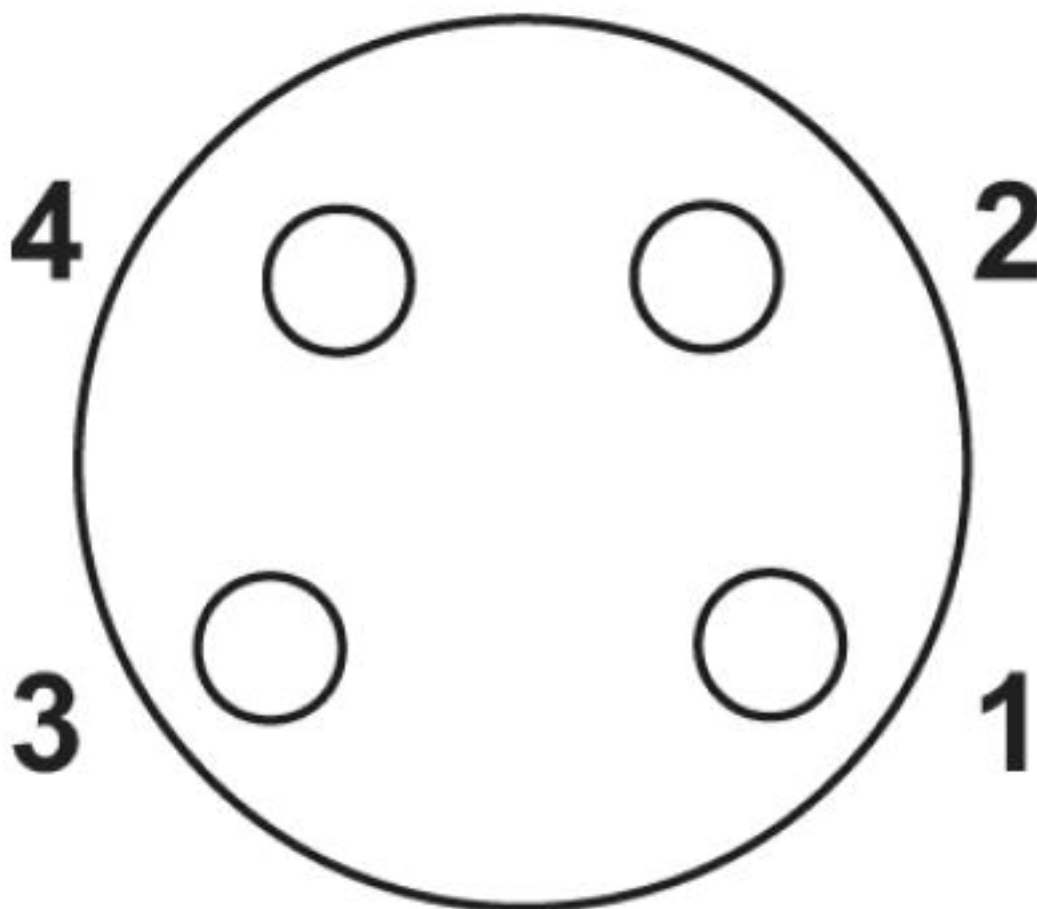
# Connector - SACC-M 8FS-4CON-M - 1681185

Dimensioned drawing



Socket M8 x 1, straight

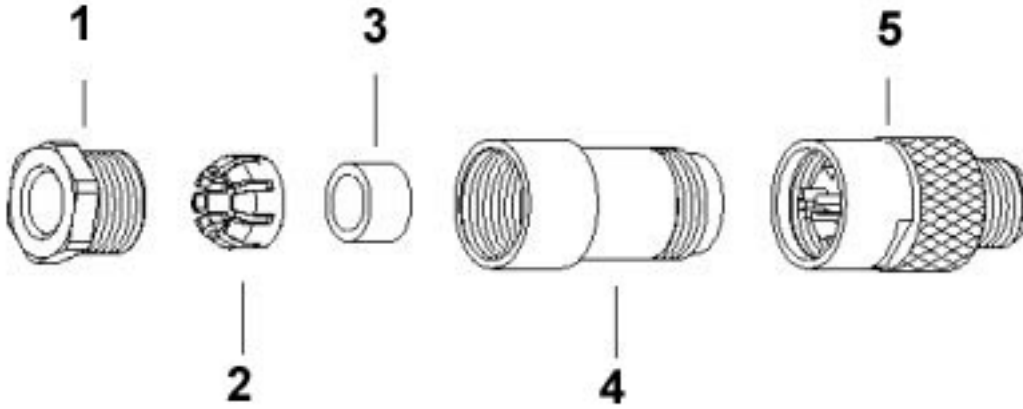
Schematic diagram



Pin assignment M8 socket, 4-pos., view female side

## Connector - SACC-M 8FS-4CON-M - 1681185

Schematic diagram



1 = pressure screw 2 = clamp-type cage 3 = gasket 4 = housing 5 = male or female insert

© Phoenix Contact 2013 - all rights reserved  
<http://www.phoenixcontact.com>