

Panel mounting frames - VS-08-A-RJ45/MOD-1-IP20 - 1689433

Please be informed that the data shown in this PDF Document is generated from our Online Catalog. Please find the complete data in the user's documentation. Our General Terms of Use for Downloads are valid (<http://download.phoenixcontact.com>)



RJ45 panel mounting frame, 1x, IP20, for modular socket inserts (Keystone), without mounting screws



Key commercial data

package_quantity	5
GTIN	4017918910334

Technical data

Mechanical characteristics

Number of slots	1
Color	gray

Ambient conditions

Ambient temperature (operation)	-40 °C ... 80 °C
Degree of protection	IP20

Material data

Inflammability class according to UL 94	V0
Housing material	PA
Material	Plastic

classifications

eCl@ss

eCl@ss 4.0	27140816
eCl@ss 4.1	27260701
eCl@ss 5.0	27260701
eCl@ss 5.1	27260701
eCl@ss 6.0	27260705
eCl@ss 7.0	27440309
eCl@ss 8.0	27440309

ETIM

ETIM 2.0	EC000764
----------	----------

Panel mounting frames - VS-08-A-RJ45/MOD-1-IP20 - 1689433

classifications

ETIM

ETIM 3.0	EC001121
ETIM 4.0	EC002310
ETIM 5.0	EC002310

UNSPSC

UNSPSC 6.01	31261501
UNSPSC 7.0901	31261501
UNSPSC 11	31261501
UNSPSC 12.01	31261501
UNSPSC 13.2	31261501

accessories

Data plug

VS-08-BU-RJ45/KA/LSA - 1689459



Female insert

VS-08-BU-RJ45/BU - 1689064



VS-08-BU-RJ45-6/KA/LSA - 1653168



Panel mounting frames - VS-08-A-RJ45/MOD-1-IP20 - 1689433

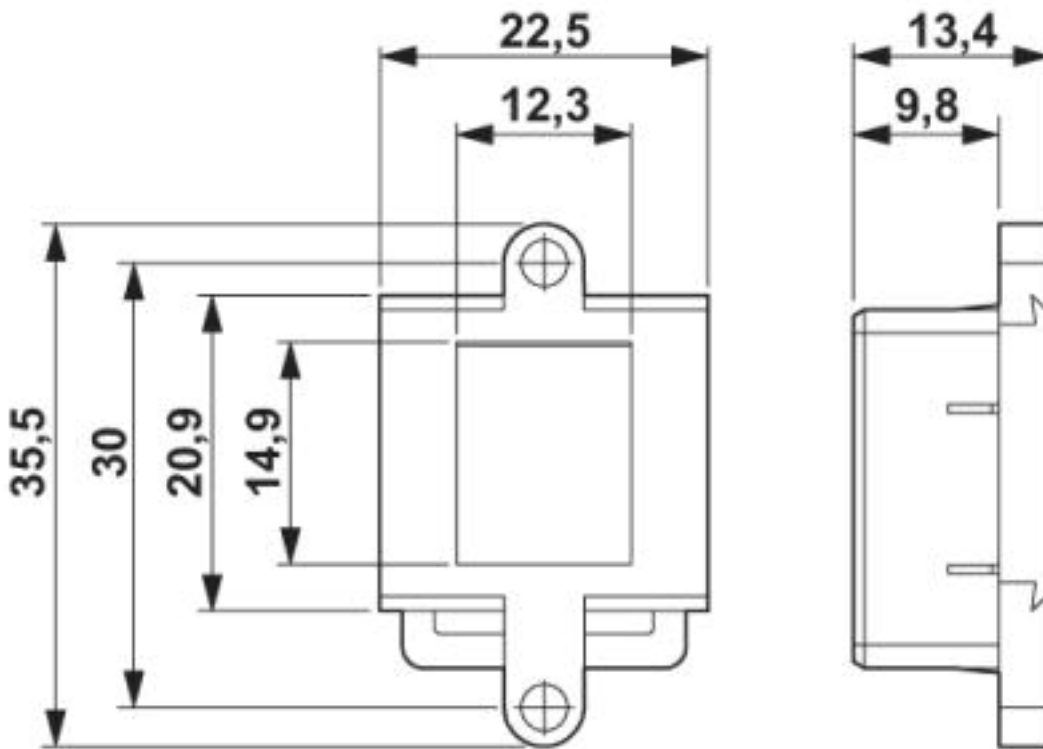
accessories

VS-08-BU-RJ45-6-MOD/BU - 1653155



Drawings

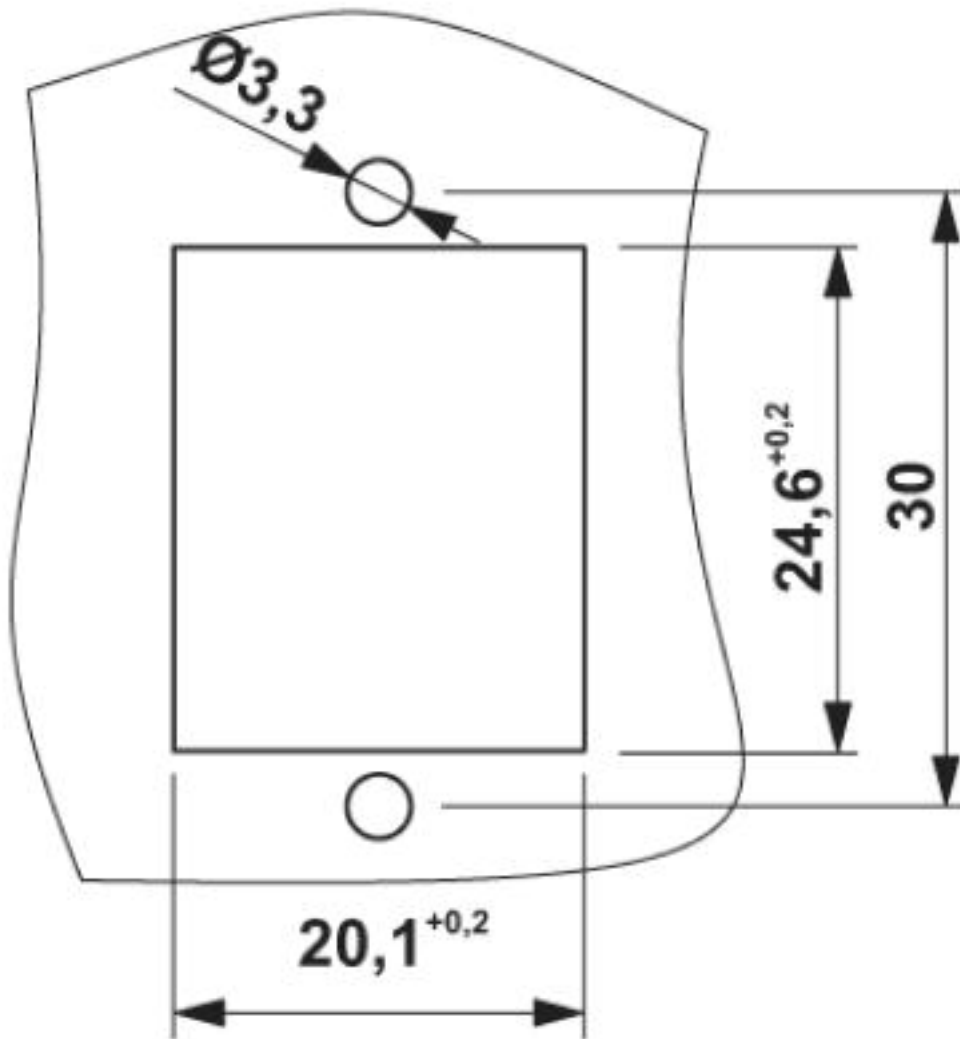
Dimensioned drawing



RJ45 panel mounting frame, IP20

Panel mounting frames - VS-08-A-RJ45/MOD-1-IP20 - 1689433

Dimensioned drawing



Panel cutout

© Phoenix Contact 2013 - all rights reserved
<http://www.phoenixcontact.com>