

Sensor/actuator connector - SACC-M12MS-4QO-0,75-M - 1641785

Please be informed that the data shown in this PDF Document is generated from our Online Catalog. Please find the complete data in the user's documentation. Our General Terms of Use for Downloads are valid (<http://download.phoenixcontact.com>)



Sensor/actuator connector, 4-position, Plug straight M12, A-coded, Insulation displacement connection, Knurl material: Zinc die-cast, nickel-plated, External cable diameter 4 mm ... 8 mm

Product Features

- Safe use in the field, thanks to a high degree of protection
- Flexible: connectors for on-site assembly
- Insulation displacement connection: innovative and time-saving assembly without stripping the single wire

Key commercial data

| | |
|-------------------------|---------------|
| package_quantity | 1 |
| GTIN | 4017918921866 |

Technical data

Dimensions

| | |
|-------------------------------|---------------|
| Wrench size, union nut | 15 mm |
| External diameter | 4 mm ... 8 mm |

Ambient conditions

| | |
|--|-----------------------------------|
| Ambient temperature (operation) | -25 °C ... 80 °C (Plug / socket) |
| Ambient temperature (assembly) | -5 °C ... 50 °C (During assembly) |
| Degree of protection | IP65 |
| Degree of protection | IP67 |

General

| | |
|--------------------------------|---|
| Rated current at 40°C | 4 A |
| Rated voltage | 250 V |
| Number of positions | 4 |
| Contact resistance | ≤ 5 mΩ |
| Insulation resistance | ≥ 100 MΩ |
| Coding | A - standard |
| Standards/regulations | M12 connector IEC 61076-2-101 |
| Status display | No |
| Surge voltage category | II |
| Pollution degree | 3 |
| Connection method | Insulation displacement connection |
| Conductor cross section | 0.34 mm ² ... 0.75 mm ² |

Sensor/actuator connector - SACC-M12MS-4QO-0,75-M - 1641785

Technical data

General

| | |
|--|--|
| AWG conductor cross section | 22 ... 18 |
| Wire diameter including insulation | 1.3 mm ... 2.6 mm |
| Frequency of connections between conductors of the same cross section | 10 |
| Wire insulation material | PVC / PE |
| Structure of individual litz in acc. with VDE 0295 / smallest wire diameter | Class 2-6 |
| Insertion/withdrawal cycles | ≥ 100 |
| Torque | 0.4 Nm (M12 knurl) |
| Torque | 1.2 Nm (Pressure nut) |
| Assembly instructions | AWG 18 wire cross section upon request |

Material

| | |
|--|------------------------------|
| Inflammability class according to UL 94 | V0 |
| Contact material | CuSn |
| Contact surface material | Ni/Au |
| Contact carrier material | TPU |
| Material of grip body | PA 6 |
| Material, knurls | Zinc die-cast, nickel-plated |
| Sealing material | NBR |

classifications

eCl@ss

| | |
|-------------------|----------|
| eCl@ss 4.0 | 27140815 |
| eCl@ss 4.1 | 27140815 |
| eCl@ss 5.0 | 27143423 |
| eCl@ss 5.1 | 27143423 |
| eCl@ss 6.0 | 27143423 |
| eCl@ss 7.0 | 27449001 |
| eCl@ss 8.0 | 27449001 |

ETIM

| | |
|-----------------|----------|
| ETIM 2.0 | EC001121 |
| ETIM 3.0 | EC002062 |
| ETIM 4.0 | EC002062 |
| ETIM 5.0 | EC002062 |

UNSPSC

| | |
|----------------------|----------|
| UNSPSC 6.01 | 31261501 |
| UNSPSC 7.0901 | 31261501 |
| UNSPSC 11 | 31261501 |
| UNSPSC 12.01 | 31261501 |
| UNSPSC 13.2 | 31261501 |

Sensor/actuator connector - SACC-M12MS-4QO-0,75-M - 1641785

approvals

UL Recognized / cUL Recognized / GOST / cULus Recognized /

Approval details

| | |
|----------------------------|-------|
| UL Recognized | |
| Nominal voltage UN | 300 V |
| Nominal current IN | 4 A |
| mm ² /AWG/kcmil | 18 |

| | |
|----------------------------|-------|
| cUL Recognized | |
| Nominal voltage UN | 300 V |
| Nominal current IN | 4 A |
| mm ² /AWG/kcmil | 18 |

| |
|-------------|
| GOST |
|-------------|

| |
|-------------------------|
| cULus Recognized |
|-------------------------|

accessories

Socket spanner

QSS 15 - 1641992



Torque tool

Sensor/actuator connector - SACC-M12MS-4QO-0,75-M - 1641785

accessories

TSD 04 SAC - 1208429



TSD-M 1,2NM - 1212224



Screwdriver tools

SAC BIT M12-W14 - 1212513



TSD-M SAC-BIT ADAPTER - 1212600



Protective cap

PROT-M12 FS-PA-CHAIN - 1430873



Cable by the meter

Sensor/actuator connector - SACC-M12MS-4QO-0,75-M - 1641785

accessories

SAC-4P-100,0-PUR/0,34 - 1501663

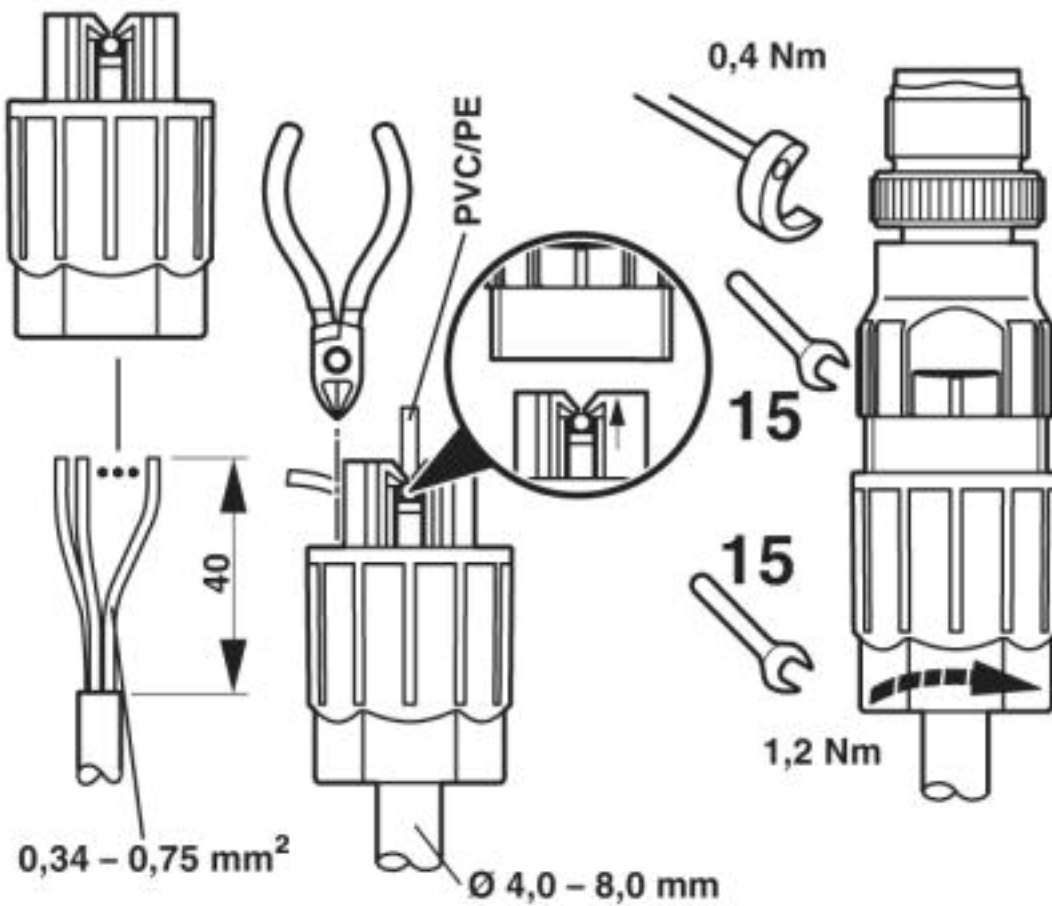


SAC-4P-100,0-186/0,75 - 1457461



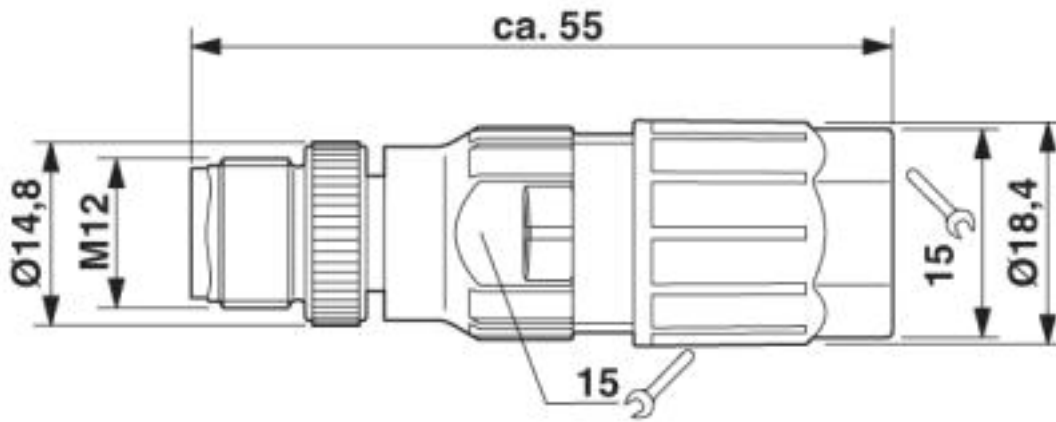
Drawings

Functional drawing



Sensor/actuator connector - SACC-M12MS-4QO-0,75-M - 1641785

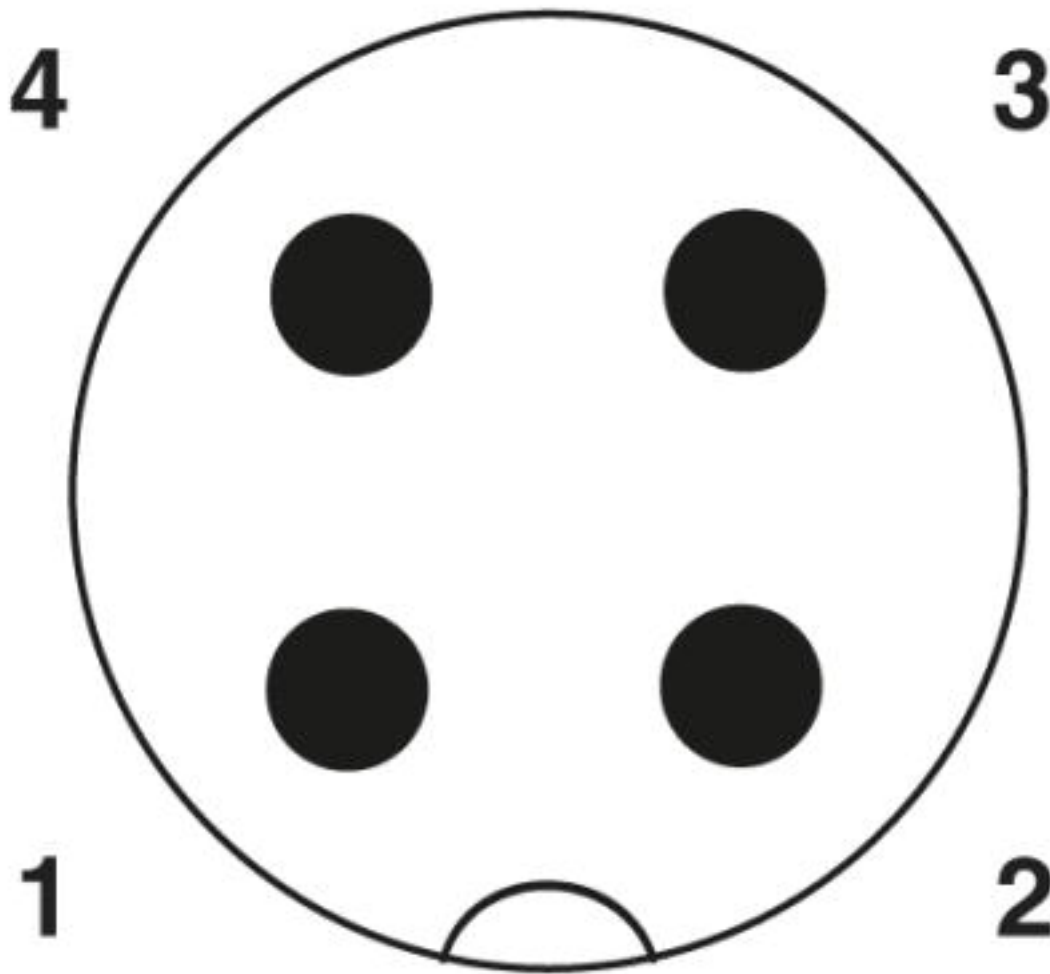
Dimensioned drawing



M12 x 1 plug, straight

Sensor/actuator connector - SACC-M12MS-4QO-0,75-M - 1641785

Schematic diagram



Pin assignment M12 plug, 4-pos., A-coded, view plug side

© Phoenix Contact 2013 - all rights reserved
<http://www.phoenixcontact.com>