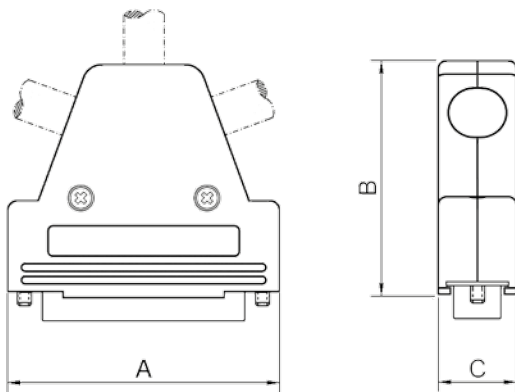


TECHNICAL SPECIFICATIONS

Material: UL 94 V-0 Plastic Material
Operating Temperature: -55°C to +110°C
Cable Entry: Side / Top / Side
Thumbscrews: UNC 4-40 (Standard)
 M2,5 or M3 on request
Cable O.D: Up to 11,5mm
Colour: Black



Size MHTRI-P	Dim A	Dim B	Dim C
9-way	31,0	45,2	15,0
15-way	40,3	45,2	15,0
25-way	53,5	45,2	15,0
37-way	70,0	45,2	15,0

Features:

- Available in sizes 9-15-25-37
- All sizes feature 3-Way Entry solution
- Re-openable
- Hood is supplied with 2 Blanking Plates and 2 Strain Relief Clamps. Extra Blanking Plates and/or Strain Reliefs are available on request.
- Also available in Metalized Version, See page 20

Ordering information:

Size:	P/N - Kitted:	Product Code:
9-way	6550-0101-01	MHTRI-P-09-K
15-way	6550-0101-02	MHTRI-P-15-K
25-way	6550-0101-03	MHTRI-P-25-K
37-way	6550-0101-04	MHTRI-P-37-K

Size:	P/N - BULK:	Product Code:
9-way	On Request	
15-way	On Request	
25-way	On Request	
37-way	On Request	