

# Connector - SACC-M12FR-5CON-PG9-M - 1681499

Please be informed that the data shown in this PDF Document is generated from our Online Catalog. Please find the complete data in the user's documentation. Our General Terms of Use for Downloads are valid (<http://download.phoenixcontact.com>)



Sensor/actuator connector, female, angled, 5-pos., M12, A-coded, screw connection, metal knurl, cable screw connection Pg9

## Product Features

- Safe use in the field, thanks to a high degree of protection
- Flexible: connectors for on-site assembly
- Screw connection: proven connection technology for a large selection of different conductors

## Key commercial data

<b>package_quantity</b>	1
<b>GTIN</b>	4017918157418

## Technical data

### Dimensions

<b>External diameter</b>	6 mm ... 8 mm
--------------------------	---------------

### Ambient conditions

<b>Ambient temperature (operation)</b>	-40 °C ... 85 °C (Plug / socket)
<b>Degree of protection</b>	IP67

### General

<b>Rated current at 40°C</b>	4 A
<b>Rated voltage</b>	60 V
<b>Number of positions</b>	5
<b>Contact resistance</b>	≤ 8 mΩ
<b>Insulation resistance</b>	≥ 100 MΩ
<b>Coding</b>	A - standard
<b>Standards/regulations</b>	M12 connector IEC 61076-2-101
<b>Status display</b>	No
<b>Surge voltage category</b>	II
<b>Pollution degree</b>	3
<b>Connection method</b>	Screw connection
<b>Conductor cross section</b>	0.25 mm <sup>2</sup> ... 0.75 mm <sup>2</sup>
<b>AWG conductor cross section</b>	24 ... 18
<b>Insertion/withdrawal cycles</b>	≥ 100
<b>Torque</b>	0.4 Nm (M12 knurl)

# Connector - SACC-M12FR-5CON-PG9-M - 1681499

## Technical data

### General

<b>Torque</b>	0.2 Nm (Screw terminal blocks)
<b>Torque</b>	0.8 Nm ... 1 Nm (Pressure screw)
<b>Tightening torque</b>	Screw plug insert with sleeve housing as far it will go
<b>Assembly instructions</b>	The connector pin assignment can be rotated 90° to the cable outlet
<b>Assembly instructions</b>	The wires can be connected both with ferrules and without ferrules

### Material

<b>Inflammability class according to UL 94</b>	HB
<b>Contact material</b>	CuZn
<b>Contact surface material</b>	CuSnZn
<b>Contact carrier material</b>	PA 66
<b>Material of grip body</b>	PBT
<b>Material, knurls</b>	Zinc die-cast, nickel-plated
<b>Sealing material</b>	NBR

## classifications

### eCl@ss

<b>eCl@ss 4.0</b>	27140815
<b>eCl@ss 4.1</b>	27140815
<b>eCl@ss 5.0</b>	27260701
<b>eCl@ss 5.1</b>	27260701
<b>eCl@ss 6.0</b>	27279221
<b>eCl@ss 7.0</b>	27440104
<b>eCl@ss 8.0</b>	27440104

### ETIM

<b>ETIM 2.0</b>	EC001121
<b>ETIM 3.0</b>	EC002062
<b>ETIM 4.0</b>	EC002062
<b>ETIM 5.0</b>	EC002062

### UNSPSC

<b>UNSPSC 6.01</b>	31251501
<b>UNSPSC 7.0901</b>	31251501
<b>UNSPSC 11</b>	31251501
<b>UNSPSC 12.01</b>	31251501
<b>UNSPSC 13.2</b>	31251501

## approvals

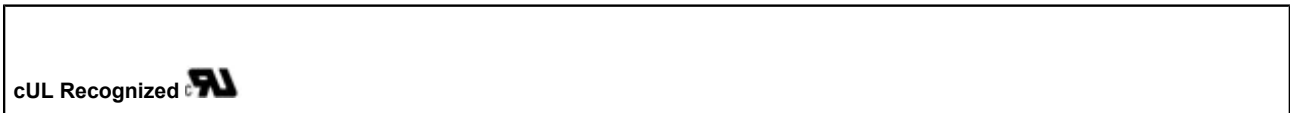
---

UL Recognized / cUL Recognized / GOST / cULus Recognized /

# Connector - SACC-M12FR-5CON-PG9-M - 1681499

## approvals

### Approval details



## accessories

### Torque tool

TSD 04 SAC - 1208429



TSD-M 1,2NM - 1212224



### Screwdriver tools

TSD-M SAC-BIT ADAPTER - 1212600



## Connector - SACC-M12FR-5CON-PG9-M - 1681499

### accessories

---

SACC BIT M12-D20 - 1208445



### Protective cap

---

PROT-M12 MS-PA-CHAIN - 1430899



### Cable by the meter

---

SAC-5P-100,0-186/0,75 - 1535590

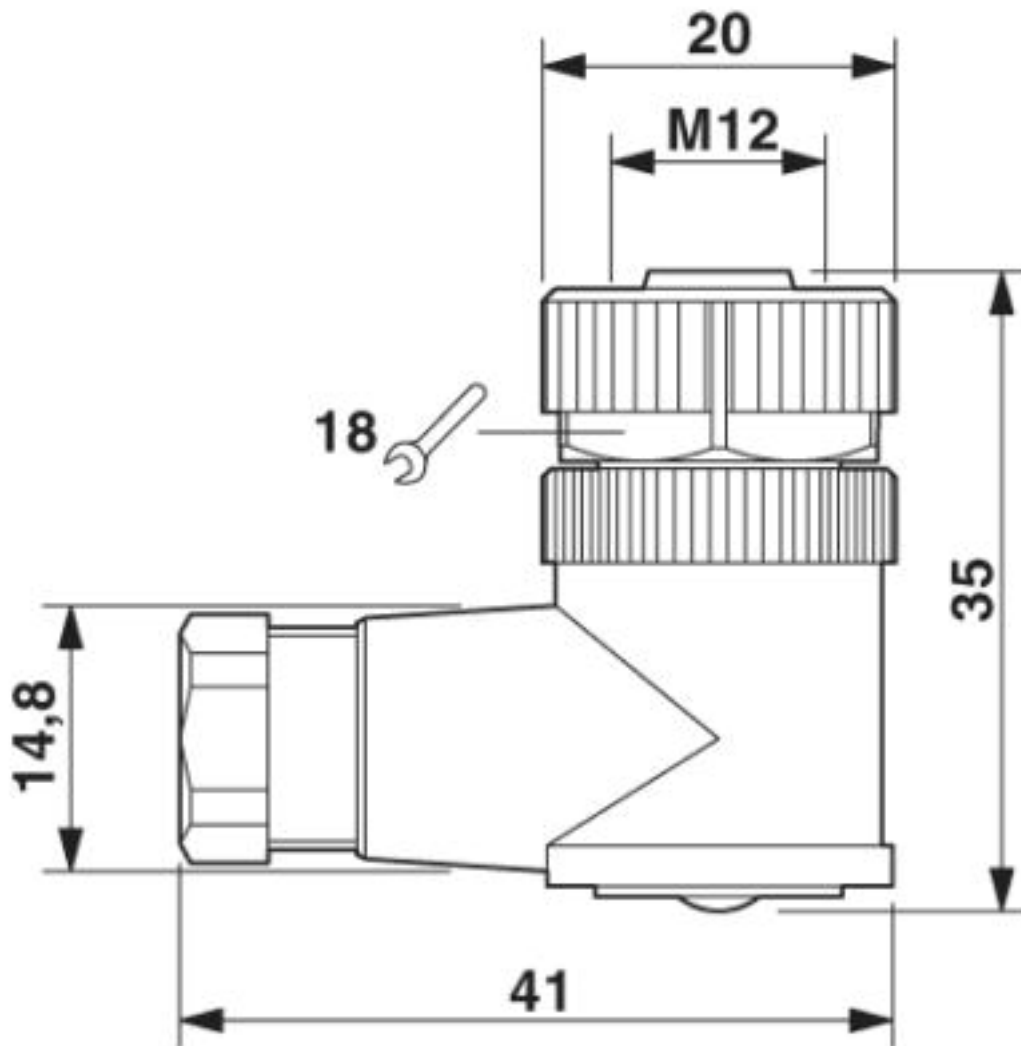


### Drawings

---

# Connector - SACC-M12FR-5CON-PG9-M - 1681499

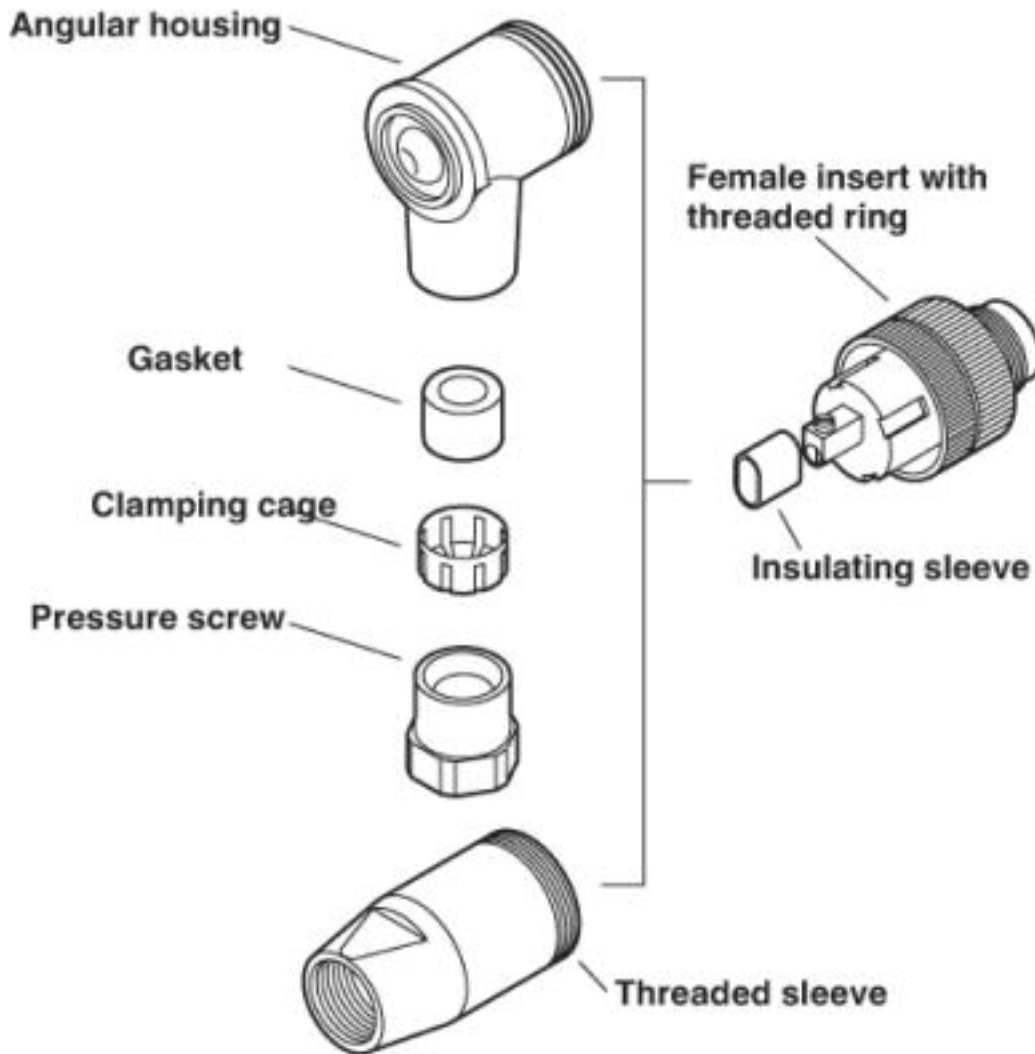
Dimensioned drawing



M12 x 1 socket, angled

# Connector - SACC-M12FR-5CON-PG9-M - 1681499

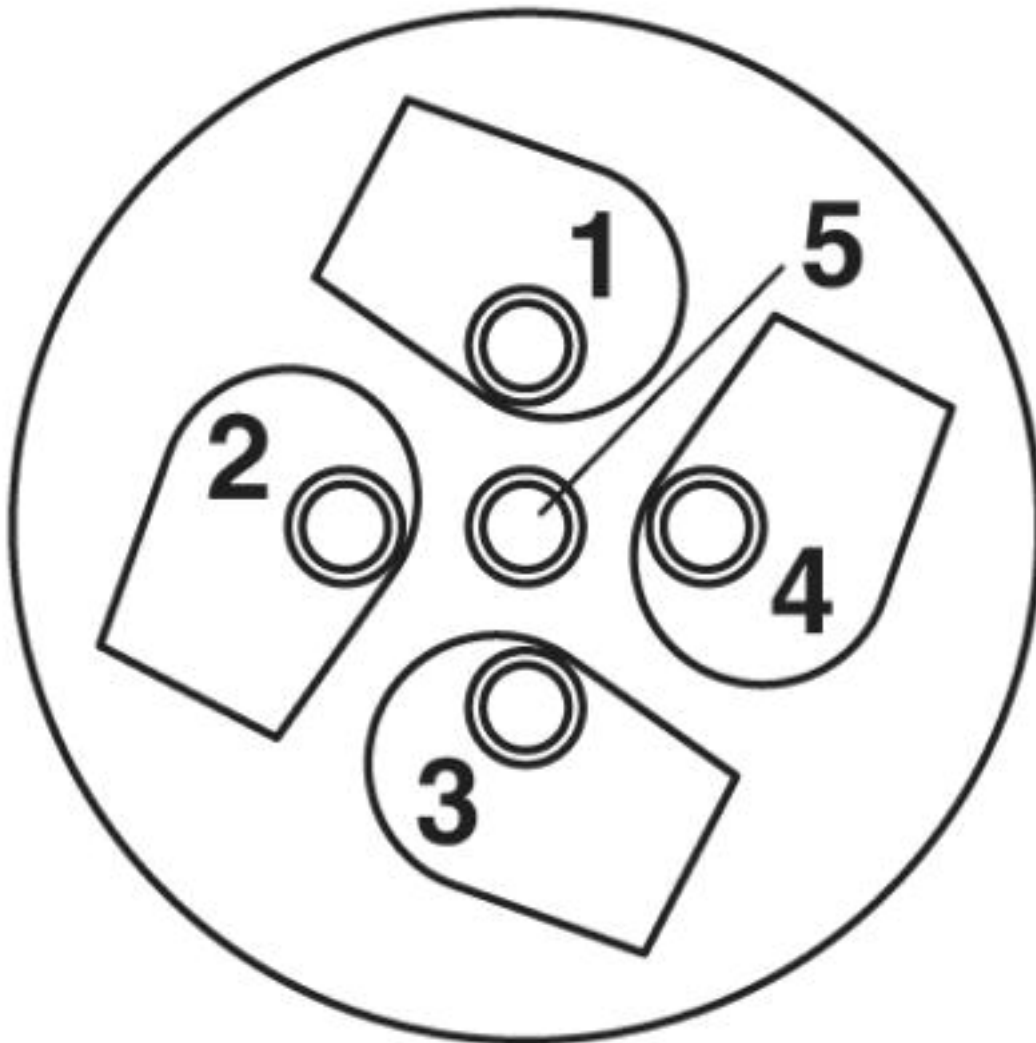
Schematic diagram



Male/Female M12

# Connector - SACC-M12FR-5CON-PG9-M - 1681499

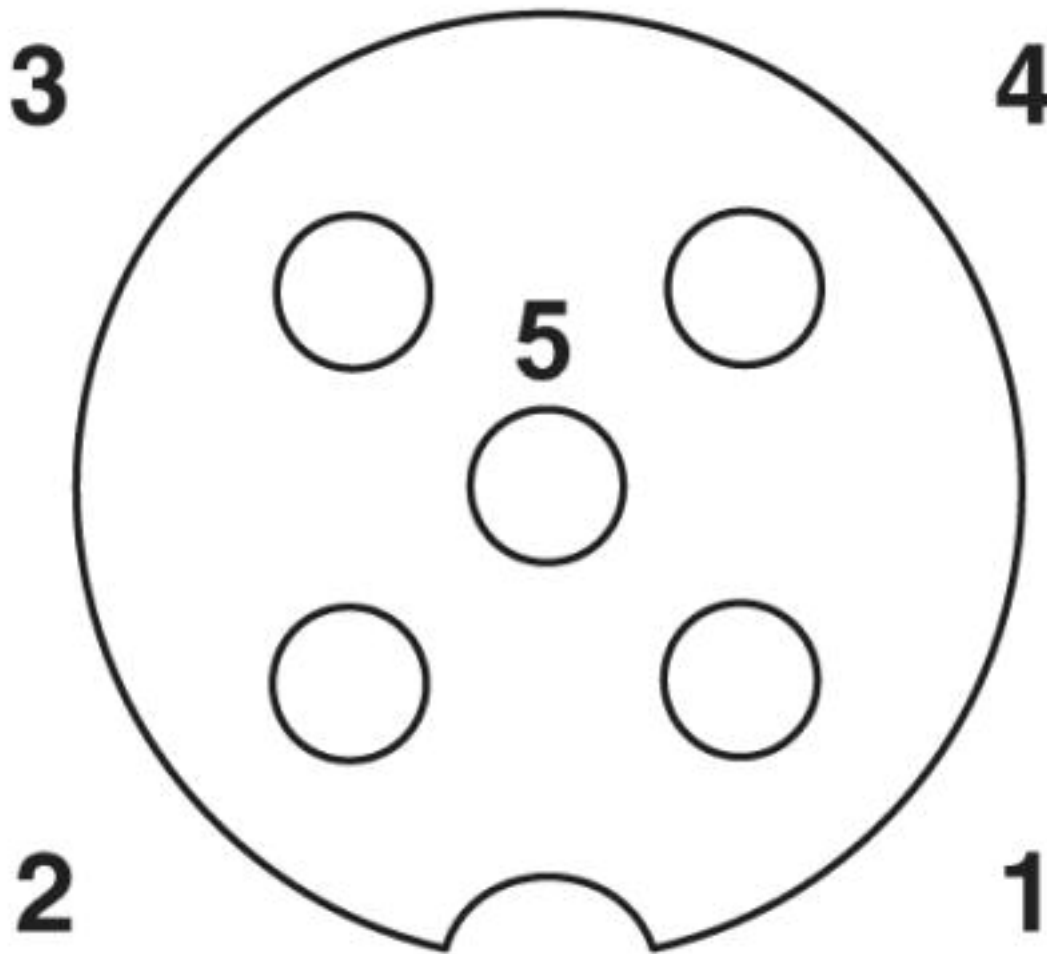
Schematic diagram



Cable connection side M12 (screw connection)

## Connector - SACC-M12FR-5CON-PG9-M - 1681499

Schematic diagram



Pin assignment M12 socket, 5-pos., A-coded, socket side view

© Phoenix Contact 2013 - all rights reserved  
<http://www.phoenixcontact.com>