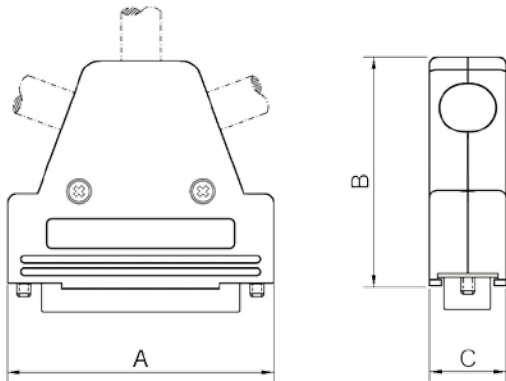


TECHNICAL SPECIFICATIONS

Material:	UL 94 V-0 Plastic Material
Plating:	Nickel over Copper
Operating Temperature:	-55°C to +110°C
Cable Entry:	Top Entry
Thumbscrews:	UNC 4-40 (Standard) M2,5 or M3 on request
Cable O.D.:	Up to 13mm



Size MHTRI-M	Dim A	Dim B	Dim C
9-way	31,0	45,2	15,0
15-way	40,3	45,2	15,0
25-way	53,5	45,2	15,0
37-way	70,0	45,2	15,0

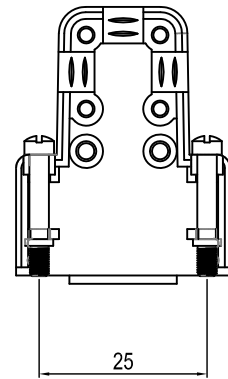
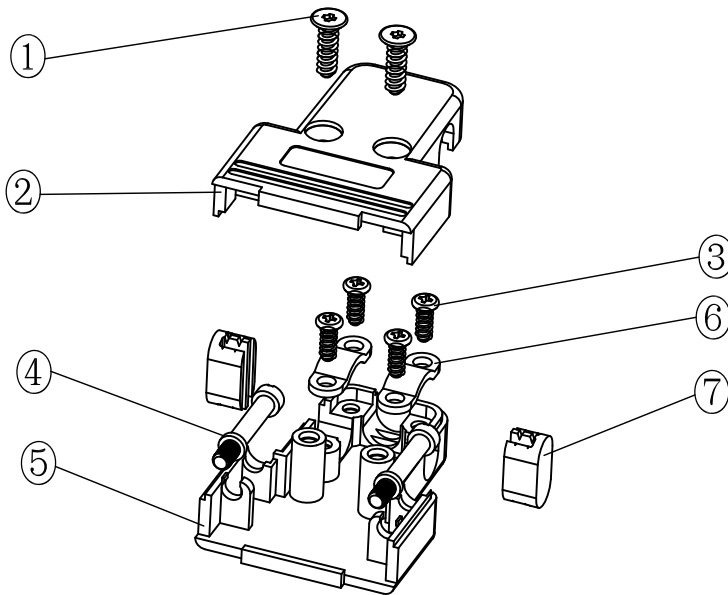
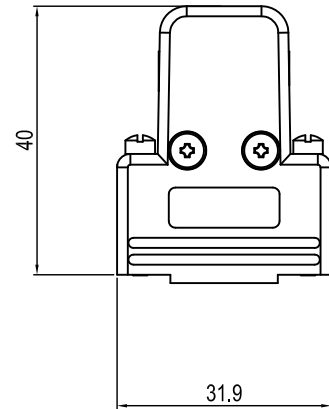
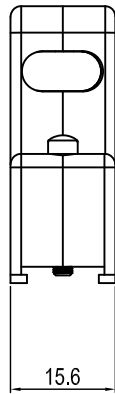
Ordering information:

Size:	P/N - Kitted:	Product Code:
9-way	6550-0100-01	MHTRI-M-09-K
15-way	6550-0100-02	MHTRI-M-15-K
25-way	6550-0100-03	MHTRI-M-25-K
37-way	6550-0100-04	MHTRI-M-37-K

Features:

- Available in sizes 9-15-25-37
- All sizes feature 3-Way Entry solution
- Re-openable
- Hood is supplied with 2 Blanking Plates and 2 Strain Relief clamps. Extra Blanking Plates and/or Strain Reliefs are available on request.
- Also available in Unshielded Version, See page 11

No.	Changes and/or Note No.	Date	Intr	No	Changes and/or Note No.	Date	Intr

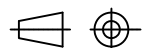


Name:	Description:	Pack:	1	2	GB/T 846 ST2.9x10 self Tapping screw	Screw
6550-0100-01	MHTRI-M-9-K	SINGLE	2	1	Multi Top MHTRI-M-9	Cover
			3	4	GB/T 845 ST2.2x6 self Tapping screw	Screw
6551-0100-01	MHTRI-M-9	BULK	4	2	UNC 4-40X18.1	Jack screw
			5	1	Multi Bottom MHD3-9	Cover
			6	2	Cable Clamp	Cable Clamp
			7	2	Multi Large Blank MHD3-9	Blanking Plug
			Item	QTY	Part Number	Description

DATE: 2008-10-29	DRAWN: YGY	SCALE:	MATERIAL TYPE:
Auditing:	APPROVED:		REPLACES:

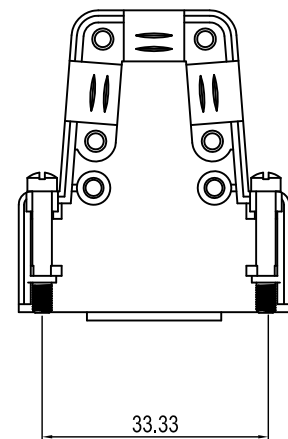
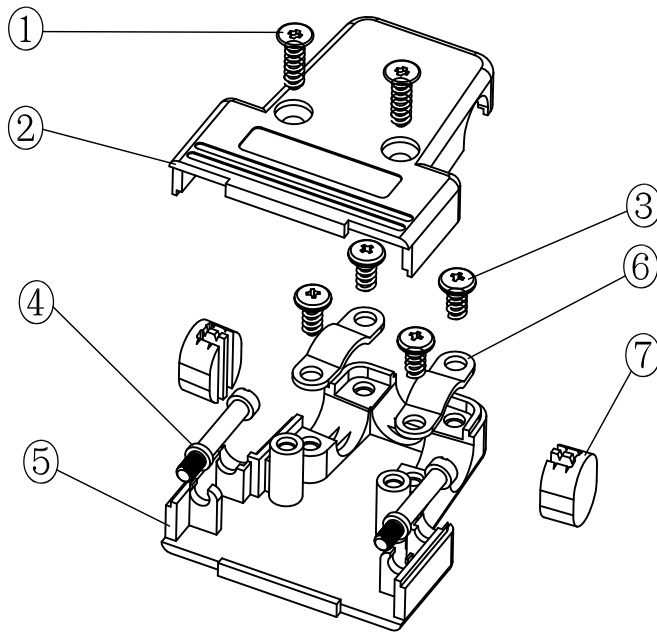
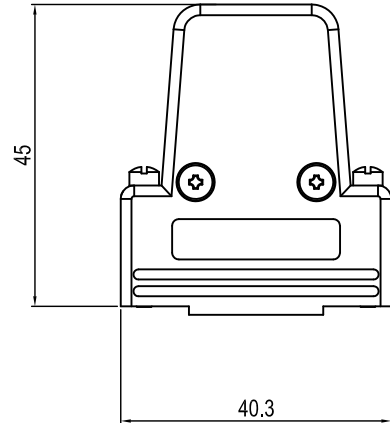
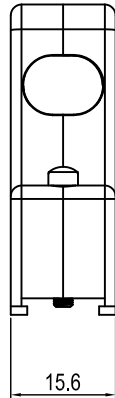


MHTRI-M-SERIES



DRAWING No:

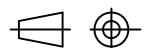
No.	Changes and/or Note No.	Date	Intr	No	Changes and/or Note No.	Date	Intr



Name:	Description:	Pack:	1	2	GB/T 846 ST2.9x10 self Tapping screw	Screw
			2	1	Multi Top MHTRI-M-15	Cover
6550-0100-02	MHTRI-M-15-K	SINGLE	3	4	GB/T 845 ST2.2x6 self Tapping screw	Screw
			4	2	UNC 4-40X18.1	Jack screw
6551-0100-02	MHTRI-M-15	BULK	5	1	Multi Bottom MHD3-15	Cover
			6	2	Cable Clamp	Cable Clamp
			7	2	Multi Large Blank MHD3-9	Blanking Plug
			Item	QTY	Part Number	Description
DATE: 2008-10-29	DRAWN: YGY	SCALE:	MATERIAL TYPE:			
Auditing:	APPROVED:		REPLACES:			

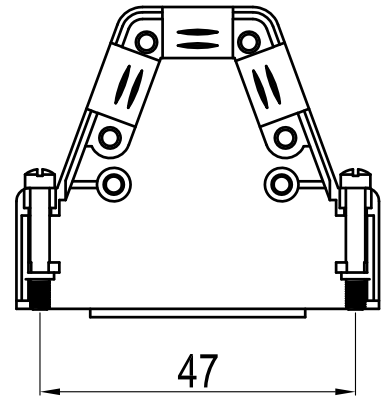
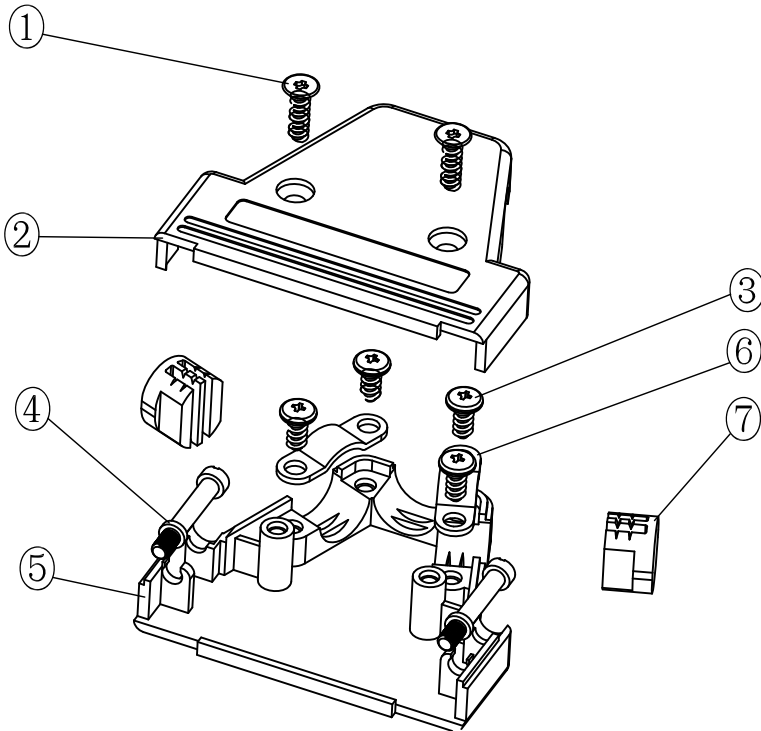
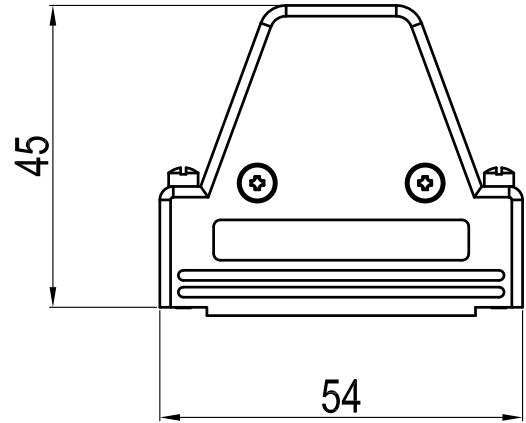
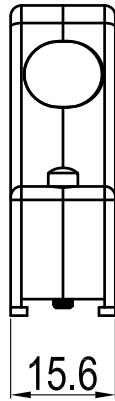


MHTRI-M-SERIES



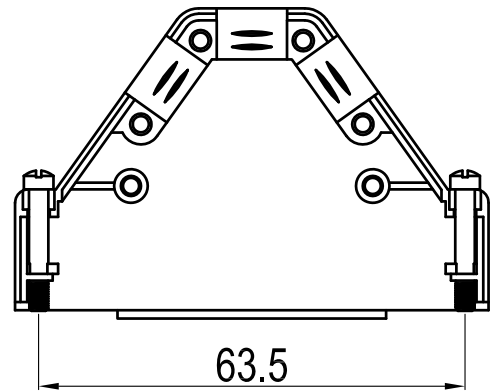
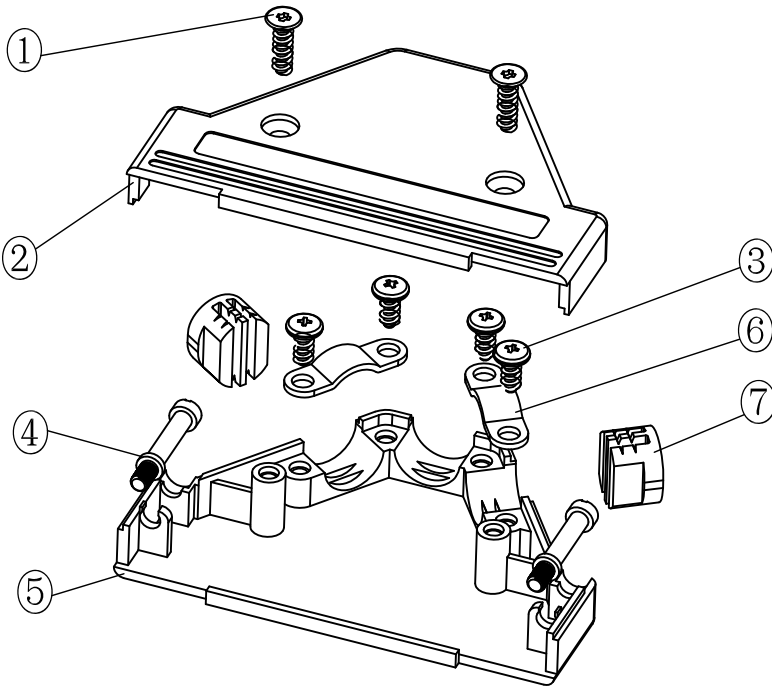
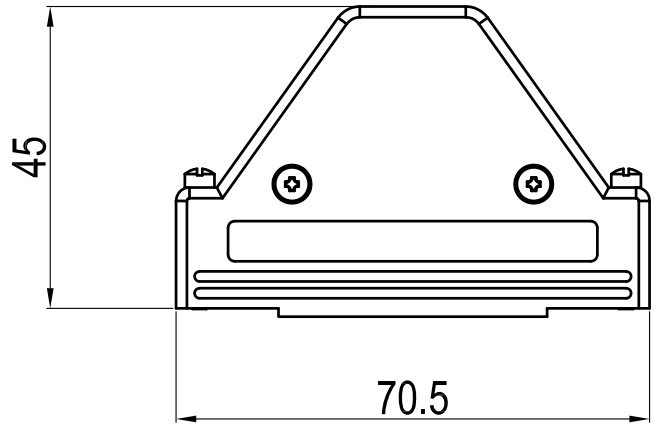
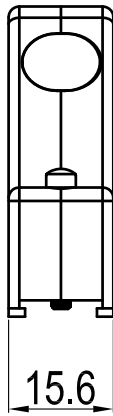
DRAWING No:

No.	Changes and/or Note	Date	Intr	No	Changes end/or Note No.	Date	Intr



Name:	Description:	Pack:	1	2	GB/T 846 ST2.9x10 self Tapping screw	Screw
			2	1	Multi Top MHDTRI-M-25	Cover
6550-0100-03	MHTRI-M-25-K	SINGLE	3	4	GB/T 845 ST2.9x6 self Tapping screw	Screw
			4	2	UNC 4-40X18.1	Jack screw
6551-0100-03	MHTRI-M-25	BULK	5	1	Multi Bottom MHD3-25	Cover
			6	2	Cable Clamp	Cable Clamp
			7	2	Multi Large Blank MHD3-9	Blanking Plug
			Item	QTY	Part Number	Description
DATE: 2008-10-28	DRAWN: YGY	SCALE:	MATERIAL TYPE:			
Auditing:	APPROVED:		REPLACES:			
	MHTRI-M-SERIES					
			DRAWING No:			

No.	Changes and/or Note No.	Date	Intr	No	Changes and/or Note No.	Date	Intr

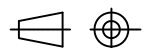


Name:	Description:	Pack:	1	2	GB/T 846 ST2.9x10 self Tapping screw	Screw
			2	1	Multi Top MHTRI-M-37	Cover
6550-0100-04	MHTRI-M-37-K	SINGLE	3	4	GB/T 845 ST2.9x6 self Tapping screw	Screw
			4	2	UNC 4-40X18.1	Jack screw
6551-0100-04	MHTRI-M-37	BULK	5	1	Multi Bottom MHD3-37	Cover
			6	2	Cable Clamp	Cable Clamp
			7	2	Multi Large Blank MHD3-9	Blanking Plug
			Item	QTY	Part Number	Description

DATE: 2008-10-28	DRAWN: YGY	SCALE:	MATERIAL TYPE:
Auditing:	APPROVED:		REPLACES:



MHTRI-M-SERIES



DRAWING No: