

SELF-TAPPING MATING SCREW

TOP COVER

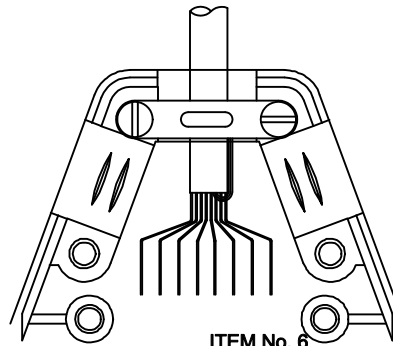
JACKSCREW

BOTTOM HOUSING

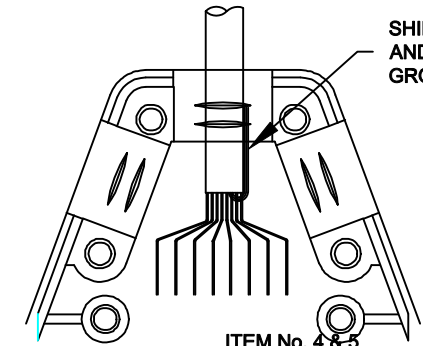
SELF-TAPPING STRAIN RELIEF SCREW

STRAIN RELIEF

BLANKING PLUG



ITEM No. 6



ITEM No. 4 & 5

SHIELD AND/OR GROUND

ASSEMBLY INSTRUCTIONS:

1. PREPARE CABLE ENDS, CONNECT TO CONNECTOR.
2. IF THE JACKSCREWS ARE NOT IN PLACE, SNAP THEM INTO THE BACKSHELL.
3. SELECT THE CABLE ENTRY PORT NEEDED, PLACE THE SLOT BLOCKING TABS IN THE OTHER TWO POSITIONS MAKING SURE THEY ARE FULLY SEATED.
4. PLACE CABLE IN SELECTED STRAIN RELIEF RECESS AREA MAKING SURE CABLE JACKET IS BELOW STRAIN RELIEF. ENSURE THE CABLE IS PRESSED INTO THE STRAIN RELIEF RECESS AREA.
5. IF CABLE IS SHIELDED, FOLD SHIELD AND/OR GROUND WIRE BACK OVER THE CLAMP AREA. CUT ANY EXCESS WIRE SO IT WILL NOT STICK OUT OF THE HOOD.
6. PLACE CABLE CLAMP OVER CABLE. USING SCREWS PROVIDED, TIGHTEN CABLE CLAMP. CABLE CLAMP MAY BE INSTALLED UP SIDE DOWN FOR SMALLER CABLES.
7. PLACE CONNECTOR INTO THE BOTTOM HALF OF HOOD.
8. PLACE THE OTHER HALF OF THE HOOD ON TOP OF THE FIRST HALF, MAKING SURE NO WIRES ARE PINCHED
8. TIGHTEN THE TWO HALVES TOGETHER WITH THE SCREWS PROVIDED

METALIZED PLASTIC

THESE DRAWINGS AND SPECIFICATIONS ARE THE PROPERTY OF MH CONNECTORS LTD. AND SHALL NOT BE REPRODUCED, COPIED OR USED AS THE BASIS FOR THE MANUFACTURE OR SALE OF APPARATUS WITHOUT WRITTEN PERMISSION.

| | |
|---------------------|------------------|
| DRAWN P. JENKINS | DATE 03-23-12 |
|---------------------|------------------|

| | |
|----------------------|------------------|
| APPROVED D. CROFT | DATE 03-23-12 |
|----------------------|------------------|

| | | |
|--------------|--------------------|-----------|
| SCALE NTS | SHEET OF 1 OF 1 | REV: A |
|--------------|--------------------|-----------|

DRAWING No
MHTRI-M ASSEMBLY



MH CONNECTORS LTD.