

Connector - SACC-M 8MS-4PCON - 1506765

Please be informed that the data shown in this PDF Document is generated from our Online Catalog. Please find the complete data in the user's documentation. Our General Terms of Use for Downloads are valid (<http://download.phoenixcontact.com>)



Sensor/actuator connector, male, straight, 4-pos., M8, Piercecon[®], metal knurl, cable diameter max. 5 mm

Product Features

- Safe use in the field, thanks to a high degree of protection
- Flexible: connectors for on-site assembly
- Piercecon[®] connection: maximum contact density in a connector that can be assembled

Key commercial data

package_quantity	1
GTIN	4017918892685

Technical data

Dimensions

External diameter	3 mm ... 5 mm
Stripping length of the sheath	35 mm

Ambient conditions

Ambient temperature (operation)	-25 °C ... 85 °C (Plug / socket)
Degree of protection	IP68

General

Rated current at 40°C	4 A
Rated voltage	30 V
Number of positions	4
Contact resistance	≤ 3 mΩ
Insulation resistance	≥ 100 MΩ
Coding	A - standard
Standards/regulations	M8 connector IEC 61076-2-104
Status display	No
Surge voltage category	II
Pollution degree	3
Connection method	Piercecon [®] fast connection
Conductor cross section	0.14 mm ² ... 0.38 mm ²
AWG conductor cross section	22 ... 26

Connector - SACC-M 8MS-4PCON - 1506765

Technical data

General

Wire diameter including insulation	1 mm ... 1.3 mm (Black wire clamping for 0.14 mm ² ... 0.25 mm ²)
Wire diameter including insulation	1.3 mm ... 1.6 mm (White wire clamping for 0.25 mm ² ... 0.38 mm ²)
Insertion/withdrawal cycles	≥ 100
Torque	0.5 Nm (Pressure nut with coupling sleeve)
Torque	0.8 Nm (Connector with coupling sleeve)
Torque	0.2 Nm (M8 knurl)

Material

Inflammability class according to UL 94	V0
Contact material	CuZn
Contact surface material	Ni/Au
Contact carrier material	PA 66
Material of grip body	PA 66
Material, knurls	Nickel-plated brass
Sealing material	NBR

classifications

eCl@ss

eCl@ss 4.0	27140815
eCl@ss 4.1	27140815
eCl@ss 5.0	27260701
eCl@ss 5.1	27260701
eCl@ss 6.0	27279221
eCl@ss 7.0	27440104
eCl@ss 8.0	27440104

ETIM

ETIM 2.0	EC001121
ETIM 3.0	EC002062
ETIM 4.0	EC002062
ETIM 5.0	EC002062

UNSPSC

UNSPSC 6.01	31251501
UNSPSC 7.0901	31251501
UNSPSC 11	31251501
UNSPSC 12.01	31251501
UNSPSC 13.2	31251501

approvals

GOST /

Connector - SACC-M 8MS-4PCON - 1506765

approvals

Approval details



accessories

Torque tool

TSD 02 SAC - 1208487



TSD-M 1,2NM - 1212224



Screwdriver tools

SACC BIT M8-D12 - 1208474



TSD-M SAC-BIT ADAPTER - 1212600



Protective cap

Connector - SACC-M 8MS-4PCON - 1506765

accessories

PROT-M 8 FS-PA-CHAIN - 1430857



Cable by the meter

SAC-4P-100,0-PUR/0,25 - 1501692

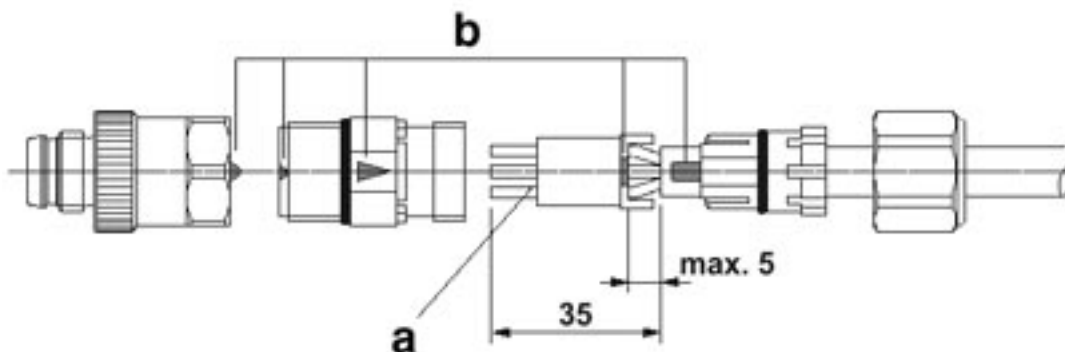


SAC-4P-100,0-PUR/0,34 - 1501663



Drawings

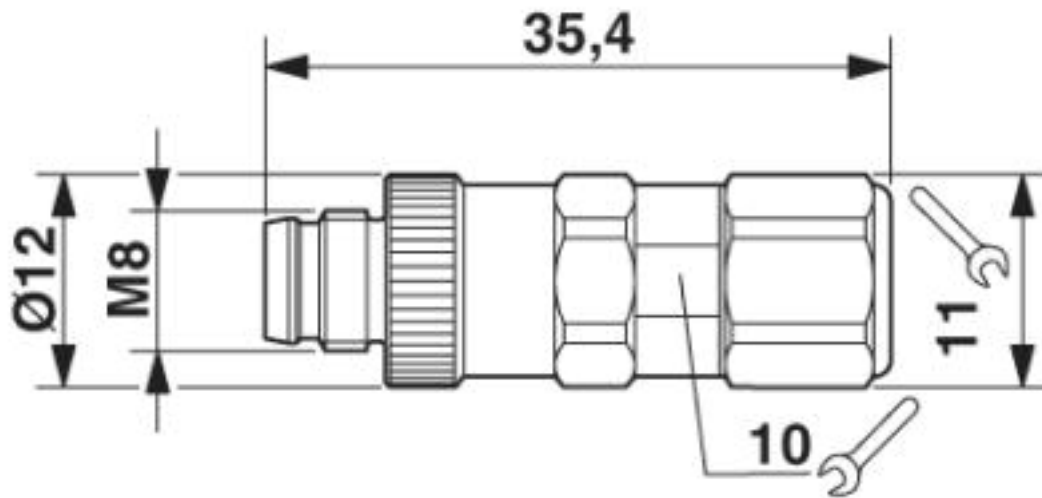
Functional drawing



Assembly steps for M8 connector with Piercecon[®] connection
a = Cut flush
b = CodingStrip the conductor by approx. 35 mm and slide on the union nut and cable clamp type cage. Without stripping the insulation of the individual cores, guide them into the corresponding chamber of the elastic core clamping and cut them off flush on the contact side. The coding marks must be flush when mounted.

Connector - SACC-M 8MS-4PCON - 1506765

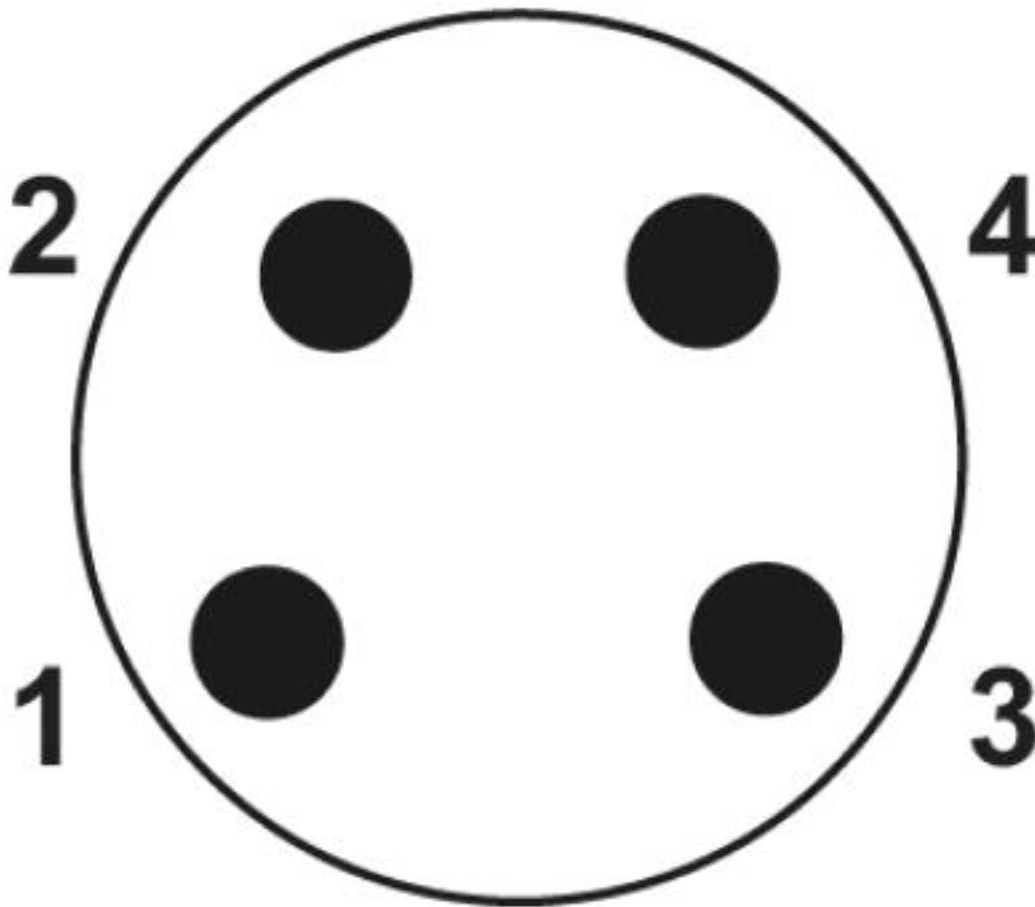
Dimensioned drawing



M8 x 1 male plug, straight version

Connector - SACC-M 8MS-4PCON - 1506765

Schematic diagram



Pin assignment M8 plug, 4-pos., view male side

© Phoenix Contact 2013 - all rights reserved
<http://www.phoenixcontact.com>