

Patch panels - FL-PP-RJ45-SC - 2901643

Please be informed that the data shown in this PDF Document is generated from our Online Catalog. Please find the complete data in the user's documentation. Our General Terms of Use for Downloads are valid (<http://download.phoenixcontact.com>)



Patch panel, one RJ45 socket to 8 screw connection terminal blocks (1:1 assignment), CAT5e, 10/100/1000 Mbps, DIN rail mounting, IP20, option of shield contacting on DIN rail via jumpers

Product Features

- Safe shield connection to ground potential
- 10/100 Mbps
- Mounting on a DIN rail
- CAT5e



Key commercial data

package_quantity	1
GTIN	4046356623391

Technical data

Dimensions

Width	29 mm
Height	90 mm
Depth	53 mm

Ambient conditions

Ambient temperature (operation)	-25 °C ... 70 °C
Ambient temperature (storage/transport)	-25 °C ... 85 °C
Permissible humidity (operation)	25 % ... 95 % (no condensation)
Degree of protection	IP20

Serial interface

Interface 1	Ethernet interface, 10/100/1000Base-T(X) according to IEEE 802.3u
Connection method	RJ45 CAT5e
Interface 2	Ethernet interface, 10/100/1000Base-T(X) according to IEEE 802.3u
Connection method	Screw connection
Transmission length	100 m (including patch cables)
Conductor cross section solid min.	0.14 mm ²
Conductor cross section solid max.	1.5 mm ²

Patch panels - FL-PP-RJ45-SC - 2901643

Technical data

Serial interface

Conductor cross section stranded min.	0.14 mm ²
Conductor cross section stranded max.	1 mm ²
Conductor cross section AWG/kcmil min.	26
Conductor cross section AWG/kcmil max	16
Pin assignment	1:1
Serial transmission speed	10/100/1000 Mbps

General

Net weight	55 g
Housing material	PVC / PA
Color	green
MTBF	6702 Years (Telcordia standard, 25°C temperature, 21% operating cycle (5 days a week, 8 hours a day))
MTBF	2962 Years (Telcordia standard, 40°C temperature, 34.25% operating cycle (5 days a week, 12 hours a day))

classifications

eCl@ss

eCl@ss 4.0	27250591
eCl@ss 4.1	27240409
eCl@ss 5.0	27259207
eCl@ss 5.1	27230207
eCl@ss 6.0	27230207
eCl@ss 7.0	27230207
eCl@ss 8.0	27230207

ETIM

ETIM 3.0	EC000313
ETIM 4.0	EC001128
ETIM 5.0	EC001128

UNSPSC

UNSPSC 6.01	30211506
UNSPSC 7.0901	39121008
UNSPSC 11	39121008
UNSPSC 12.01	39121008
UNSPSC 13.2	39121008

accessories

Universal tools

Patch panels - FL-PP-RJ45-SC - 2901643

accessories

FL CRIMPTOOL - 2744869



Data cable by the meter

FL CAT5 HEAVY - 2744814



FL CAT5 FLEX - 2744830



Data cable preassembled

FL CAT5 HEAVY CONF/ - 2744827



FL CAT5 FLEX CONF/ - 2744843



Screwdriver tools

Patch panels - FL-PP-RJ45-SC - 2901643

accessories

SZF 0-0,4X2,5 - 1204504



Passive isolators

FL ISOLATOR 100-RJ/SC - 2313928



FL ISOLATOR 100-RJ/RJ - 2313931



FL ISOLATOR 1000-RJ/RJ - 2313915



Patch cable

FL CAT5 PATCH 0,3 - 2832250



Patch panels - FL-PP-RJ45-SC - 2901643

accessories

FL CAT5 PATCH 0,5 - 2832263



FL CAT5 PATCH 1,0 - 2832276



FL CAT5 PATCH 1,5 - 2832221



FL CAT5 PATCH 2,0 - 2832289



FL CAT5 PATCH 3,0 - 2832292



Data plug

Patch panels - FL-PP-RJ45-SC - 2901643

accessories

VS-08-RJ45-5-Q/IP20 - 1656725



VS-08-RJ45-5-Q/IP20 BK - 1658008



accessories

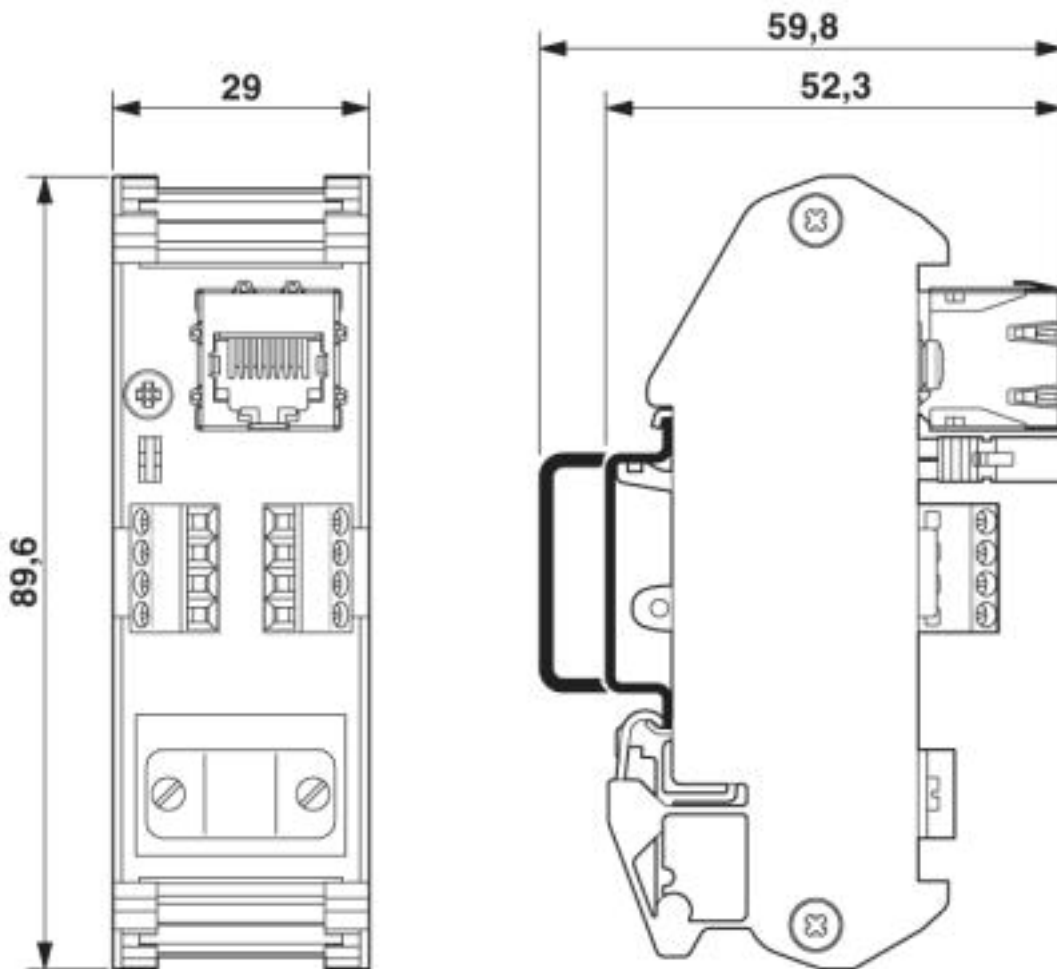
VS-CABLE-STRIP-VARIO - 1657407



Drawings

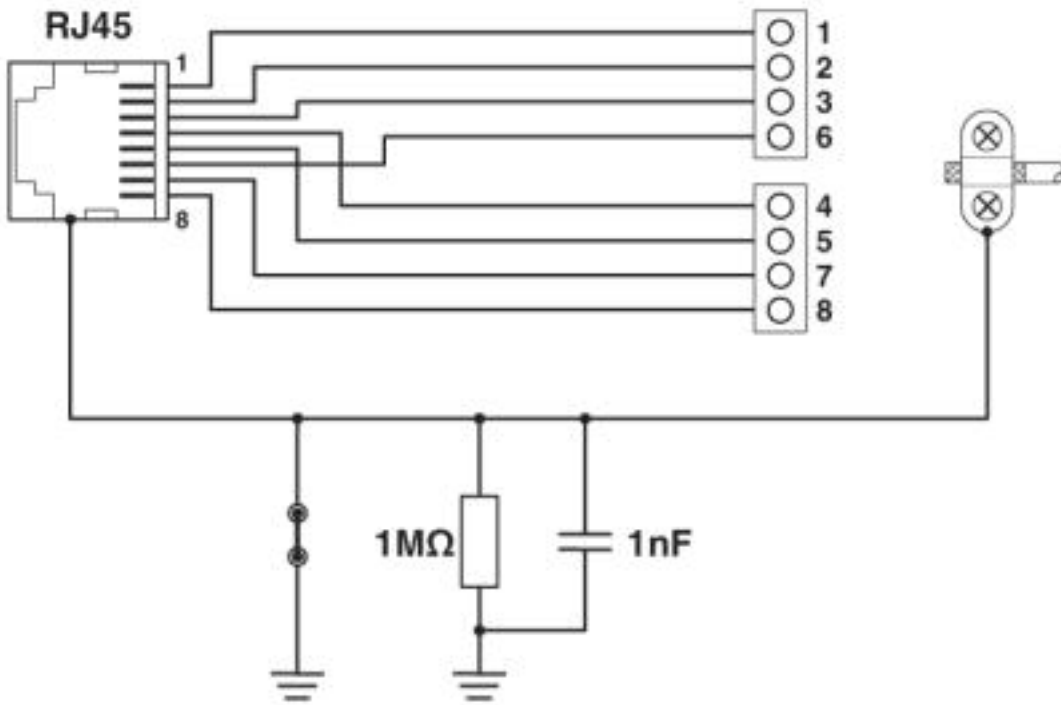
Patch panels - FL-PP-RJ45-SC - 2901643

Dimensioned drawing



Patch panels - FL-PP-RJ45-SC - 2901643

Circuit diagram



© Phoenix Contact 2013 - all rights reserved
<http://www.phoenixcontact.com>