

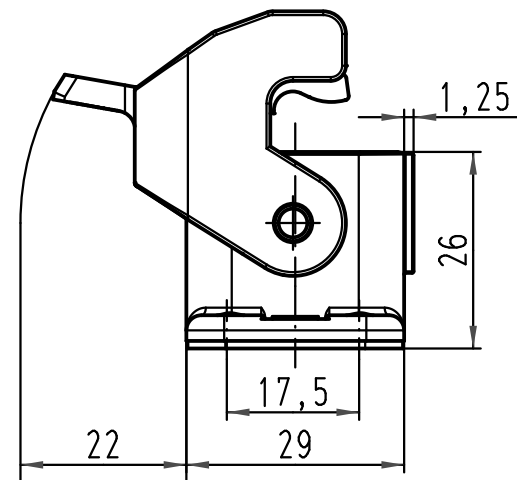
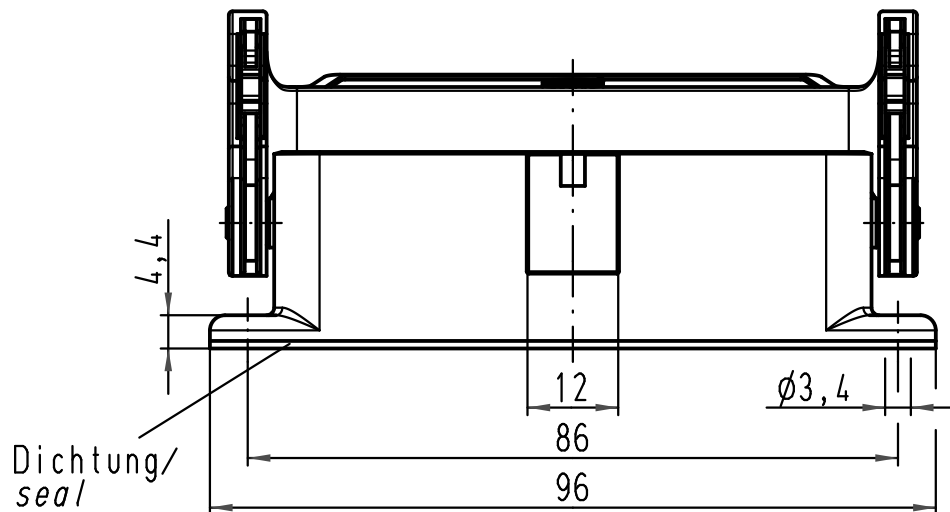
1 2 3 4 5 6

A

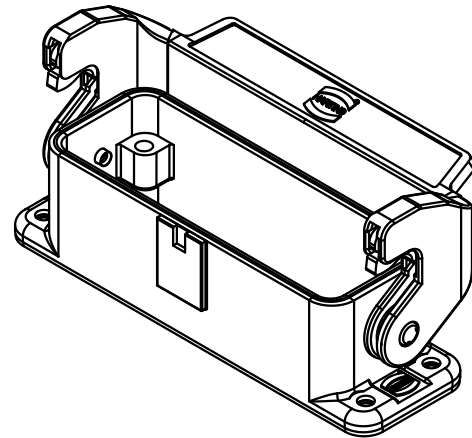
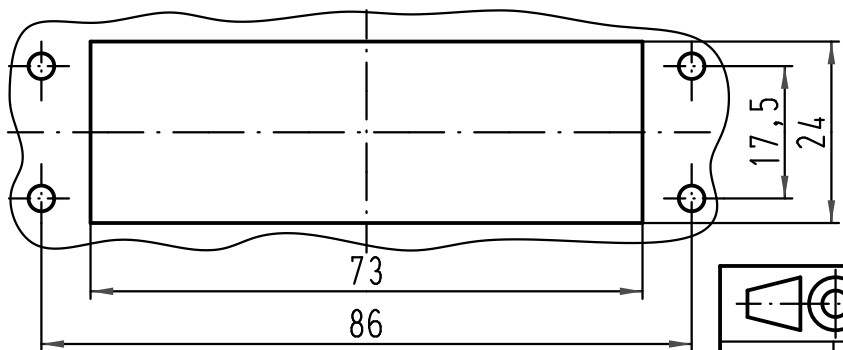
B

C

D



Montageausschnitt/
panel cut out



| | | | | | | | | |
|---|----------|------|---|----------|--------|---|--|--|
| All Dimensions in mm Original Size DIN A 4 | | | Techn. Character. | | | Nicht tolerierte Maß/Free size tolerances | | |
| | | | | Dat. | Name | Maßstab/Scale 1:1 | | Han 16A-agg-LB Anbaugeschäse/ housing bulkhead mounting |
| 413277 | 10.10.07 | Rull | Detail. | 18.02.93 | MEIER | | | |
| 412937 | 24.05.07 | Ho | Insp. | | HERB | | | |
| 24782 | 30.09.98 | PL | Stand. | | NÖTZEL | | | |
| 22280 | 04.06.97 | SPER | HARTING Electric GmbH & Co. KG D-32339 Espelkamp | | | | | TB 09 20 016 0301 |
| 15938 | 21.03.94 | SPER | | | | | | |
| Mod. | Dat. | Name | | | | Sub. | | Blatt/ page |