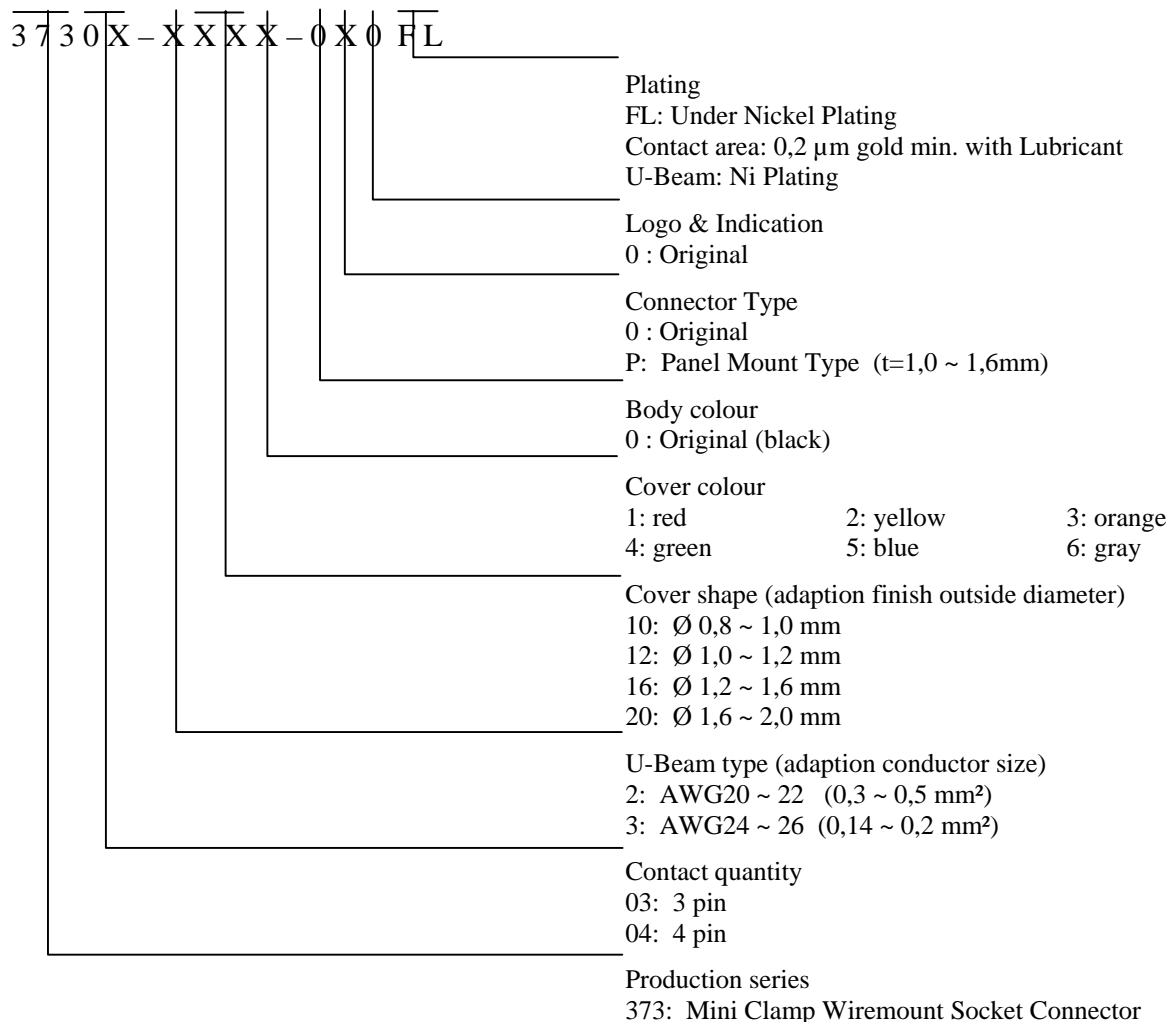




Mini Clamp Wiremount Socket Connector

NUMBERING SYSTEM



The instrument identification combination which it can supply

AWG20~22 (0.3~0.5mm ²) 3710X-2206-000 FL (gray cover: Ø 1.6~2.0) 3710X-2165-000 FL (blue cover: Ø 1.2~1.6) 3710X-2124-000 FL (green cover: Ø 1.0~1.2)	AWG24~26 (0.14~0.2mm ²) 3710X-3163-000 FL (orange cover: Ø 1.2~1.6) 3710X-3122-000 FL (yellow cover: Ø 1.0~1.2) 3710X-3101-000 FL (red cover: Ø 0.8~1.0)
--	---

RATING

Item	Rating
Current	3,0 A max
Voltage	32V (AC/DC) max
Temperature	- 20°C to + 85°C (Current 1A) - 20°C to + 75°C (Current 2A) - 20°C to + 60°C (Current 3A) without dew drop / a drop of water
Flame resisting grade	UL 94 V - 0



Mini Clamp Wiremount Socket Connector

COMPATIBLE OBJECT

1. Compatible connectors

3M Brand : 3710X-XXXX-000 XX :Mini-Clamp wire mount plug connector.

2. Compatible cable

Conductor cross sectional area AWG20 26 0.14 0.5mm²

Conductor material Tin plating annealed copper wire, High strength copper alloy wire, Copper alloy wire

Conductor structure Stranded wire, Tin overcoat wire, Solid wire

Conductor construction

AWG20(0.5sq) 19/0.20 20/0.18 21/0.18

AWG22(0.3sq) 1/0.643 7/0.254 12/0.18 17/0.16 3/20/0.08 60/0.08

AWG24(0.2sq) 7/0.20 11/0.16 40/0.08

AWG25(0.18sq) 7/0.18 36/0.08 37/0.08 7/13/0.05

AWG26(0.14sq) 7/0.16 30/0.08 7/11/0.05

Isolation material Heat-resistant vinyl, Half rigid vinyl, Cure PE, ETFE,

Isolation outside diameter 0.8 2.0

- Above adaptation electric wire is an extract from evaluation electric wire and does not evaluate all combinations. Detailed information please ask the sales person in charge.
- This connector recommends electric wire which is stranded wire of pitch equal to or less than 20 times of conductor outside diameter prescribed with section A4-2-4-3 in "Insulated conductors for power-operated electronic devices" by CSA standard C22.2 No. 16-1980 There is the thing which even pitch more than this conforms to. Detailed information please ask the sales person in charge.
- On flat cable, IDC is possible by tearing it up if it is welding cable. In addition, with flat cable of pushing out molding, IDC is possible by dividing quality of insulation with cutters equally. Not being shown electric wire.
- If it is electric wire of seven twisting on AWG 28, it almost meets. Detailed information please ask the sales person in charge.
- Please ask the sales person in charge on junction of shielding wire.

3. Recommendation tool

IDC by pliers

To use base plate (10986, 3771) together in 3M hand press machine (10985, 3640, 3335), and platen (3442-1A), Can make IDC which height adjusts for 3 with height gauge (3436-1A).

4. An instruction manual

ER-077 Mini-Clamp connector IDC sequence of operation book

5. Caution of operation

Please use it for do not add force to IDC part (don't pull electric wire).

Demolition at having pulled electric wire changes by thickness of electric wire.

Please install it so that connected load more than 10 N is not added per wire.

Please don't IDC without jig (for example, dukes / finger).

Note A breaking strength ability value at having pulled it to the direction that electric wire passed through. Above numeric value is changed by combination of connector and electric wire. It mentions typical numeric value example here.

Example 1) At the time of combination with UL1723, AWG22 (1/0.643), finish contour f 1.36, FEP isolation outer bark electric wire made in Showa Electric Wire & Cable Co., Ltd. and 37104-2165-000 FL made in 3M An average of 84.7 N (the fewest 78.5N)



Mini Clamp Wiremount Socket Connector

Example 2) At the time of combination with UL1007, AWG24 (11/0.16), finish contour f 1.49, Heat-resistant vinyl isolation outer bark electric wire made in Showa Electric Wire & Cable Co.,Ltd. and 37104-3163-000 FL made in 3M

An average of 46.6 N (the fewest 35.9N).

Example 3) At the time of combination with IR-1, 0.14SQ (7/0.16), finish contour f 1.34, Cure PE isolation outer bark electric wire made in Showa Electric Wire & Cable Co.,Ltd. and 37104-3163-000 FL made in 3M

An average of 23.0N (the fewest 18.8N).

Quality Performance

Unit Characteristics

TEST DESCRIPTION	REQUIREMENT	TEST CONDITION	RELATED STD. □Reference□
Dielectric with-standing voltage	No appearance of arcing and break down. Leak current : 1mA max	Impressed voltage is AC 1000V rms between two adjacent contacts for 1 minute.	MIL-202F-301
Insulation Resistance	1000M□min	Impressed voltage is DC500V between two adjacent contacts for 1minute.	MIL-202F-302

Mating characteristic

It depends on combination with the Mini-Clamp connector series 371XX series

TEST DESCRIPTION	REQUIREMENT	TEST CONDITION	RELATED STD. □Reference□
Insertion & Withdrawal Force (Initial)	Insertion□2N/pin max. Withdrawal□0.5N/pin min.	Tensile speed : 5mm/min. Spec. value is estimated by one contact pin.	
Retention Force of Latch	58.8N min	Tensile speed: 25mm/min.	
Durability	Electrical properties shall be stable after test	Insertion & Withdrawal 300 times. (Except Latch Mechanism)	
Vibration	Electrical properties shall be stable after test. Discontinuity 1□sec. max	Tested during vibration test together (See table 1)	MIL-202F-201 A
Shock	Electrical properties shall be stable after test. Discontinuity 1□sec. max	50G , 11 msec , 3 cycles, 3 directions (X,Y,Z)	MIL-202F-213 B

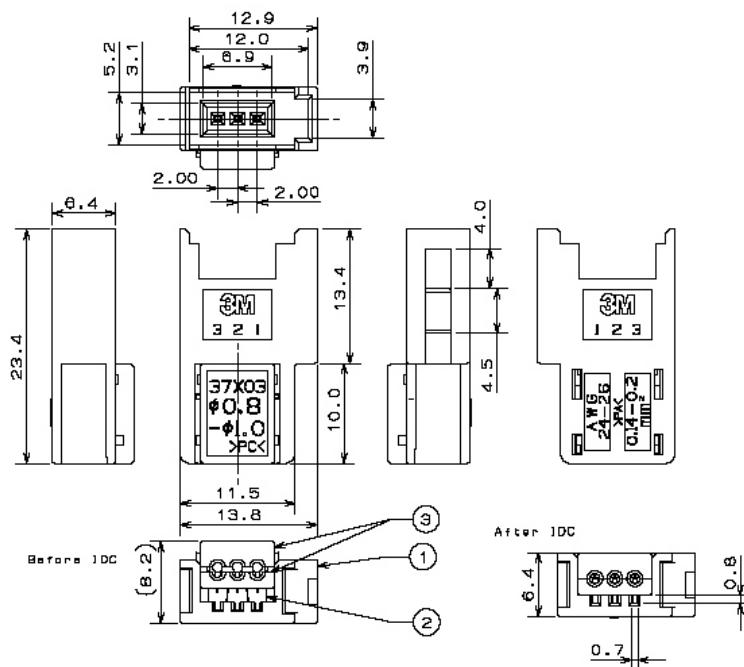
Electrical Specifications

TEST DESCRIPTION	REQUIREMENT	TEST CONDITION	RELATED STD. □Reference□
Electrical Continuity	Electrical properties shall be state under test. Discontinuity 1□sec max	Tested during Vibration test together	Refer TABLE-2
Contact Resistance	The initial readings are in milli-ohms. 20m□max	The low-signal level contact resistance shall be tested with circuit current of 1mA and open circuit voltage of 20 mV maximum. The termination resistance includes bulk resistance of contact, and resistance of solder joints of connectors to circuit boards.	



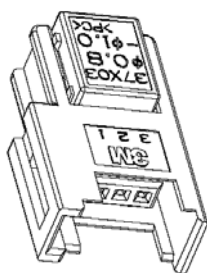
Mini Clamp Wiremount Socket Connector

Wiremount Socket 3 position



37303-3101-000 FL	rot
37303-3122-000 FL	gelb
37303-3163-000 FL	orange
37303-2124-000 FL	grün
37303-2165-000 FL	blau
37303-2206-000 FL	grau

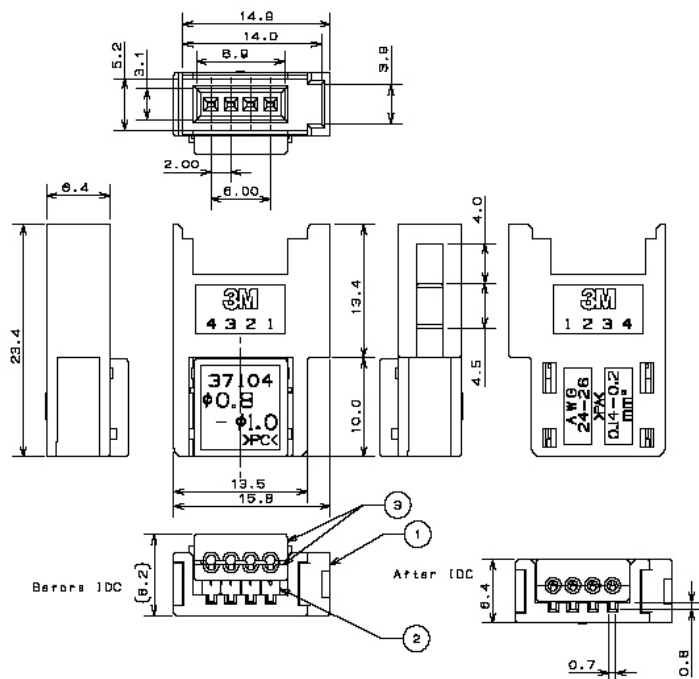
W



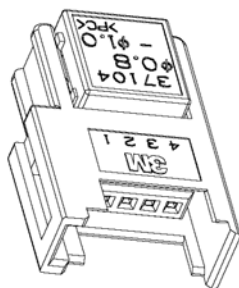
4 position



Mini Clamp Wiremount Socket Connector



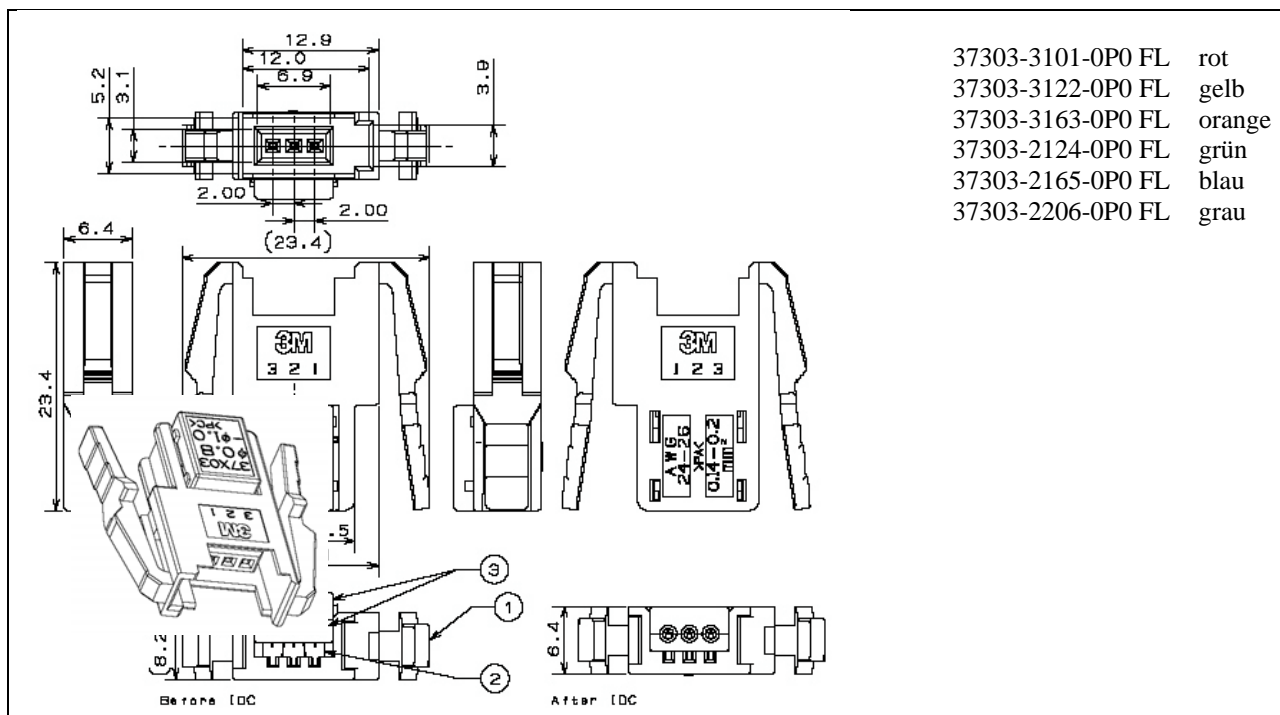
37304-3101-000 FL	rot
37304-3122-000 FL	gelb
37304-3163-000 FL	orange
37304-2124-000 FL	grün
37304-2165-000 FL	blau
37304-2206-000 FL	grau



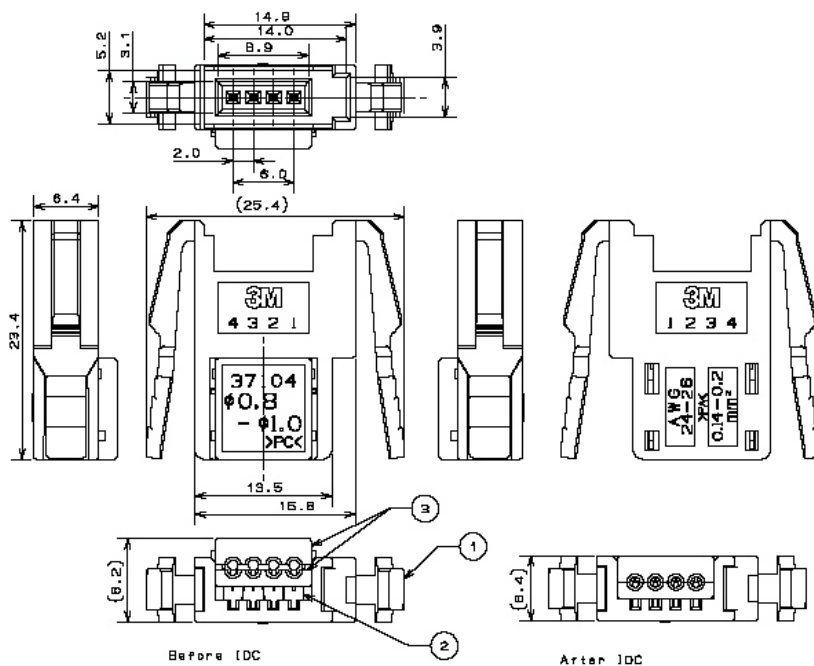


Mini Clamp Wiremount Socket Connector

Wiremount Socket, 3 position, panel mount



Wiremount Socket 4 position, panel mount



37304-3101-0P0 FL rot



Mini Clamp Wiremount Socket Connector

37304-3122-0P0 FL	gelb
37304-3163-0P0 FL	orange
37304-2124-0P0 FL	grün
37304-2165-0P0 FL	blau
37304-2206-0P0 FL	grau

