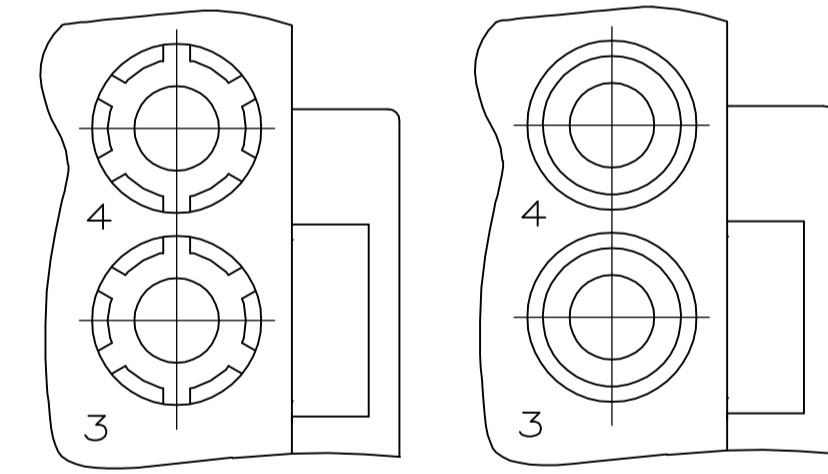
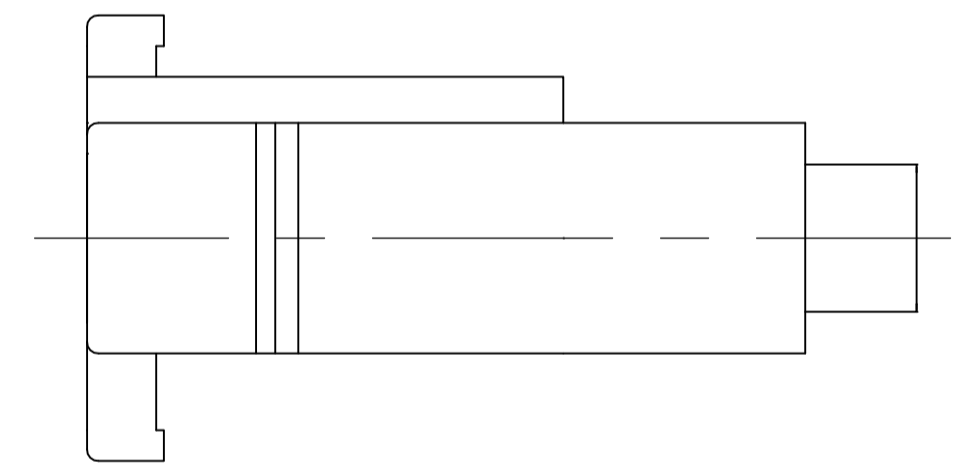
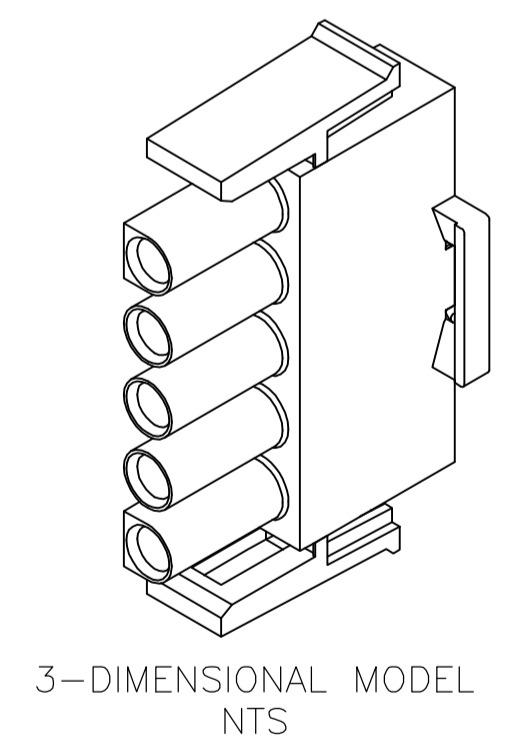


1. MATES WITH APPROPRIATE UNIVERSAL MATE-N-LOK™ CAP OR HEADER.
2. SMALL NICKS ARE PERMITTED ON THE CIRCUIT TOWERS WHICH COULD INCREASE THE INITIAL HOUSING MATING FORCE BY UP TO 4.4 NEWTONS [1.0 LBS]. NO INDIVIDUAL NICKED TOWER SHALL INCREASE THIS FORCE BY OVER 2.2 NEWTONS [.5 LBS].
3. DIMENSION INDICATED IS AS MOLDED. ADDITIONAL GROWTH DUE TO SUBSEQUENT MOISTURE ABSORPTION MAY OCCUR.
4. FOUR RIBS EQUALLY SPACED, NO SPECIFIC ORIENTATION. NO RIBS OR SIX RIBS EQUALLY SPACED, NO SPECIFIC ORIENTATION, OPTIONAL.
5. UNDERWRITERS RECOGNIZED COMPONENT LOGO AND CSA CERTIFICATION LOGO TO BE LOCATED ONCE EACH ON SIDE OF HOUSING.

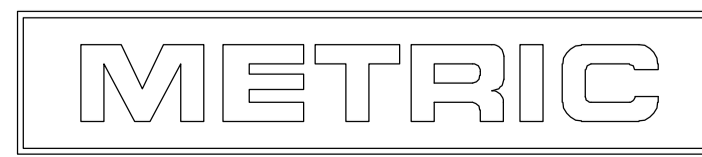


DETAIL A  
OPTIONAL CONSTRUCTION

BLACK	1-350809-9	
GRAY	1-350809-8	
BLUE	1-350809-6	
GREEN	1-350809-5	
YELLOW	1-350809-4	
ORANGE	1-350809-3	
RED	1-350809-2	
BROWN	1-350809-1	
SUPERCEDED BY 1-350809-9	BLACK	350809-2
	NATURAL	350809-1
	COLOR	PART NO.

33.02	1.300
27.43	1.080
14.73	.580
11.68	.460
7.62	.300
0.38	.015
0.13	.005
MM	IN

CONVERSION TABLE



THIS DRAWING IS A CONTROLLED DOCUMENT.

DIMENSIONS:	TOLERANCES UNLESS OTHERWISE SPECIFIED:	DIN R VESTAL 24FEB95	CHK R SWING 24FEB95	APVD D SELF 24FEB95	NAME
mm	0 PLC ± - 1 PLC ± - 2 PLC ± 0.13 3 PLC ± - 4 PLC ± - ANGLES ± 0.30° FINISH -				PLUG, 5 CIRCUIT, UNIVERSAL MATE-N-LOK™
MATERIAL NYLON, UL 94V-0 WHITE		SIZE A1	SCALE 4:1	DRAWING NO. 350809	RESTRICTED TO CUSTOMER DRAWING

TYCO Electronics Tyco Electronics Corporation Harrisburg, Pa 17105-3608

SCALE 4:1 SHEET 1 OF 1 REV Y1