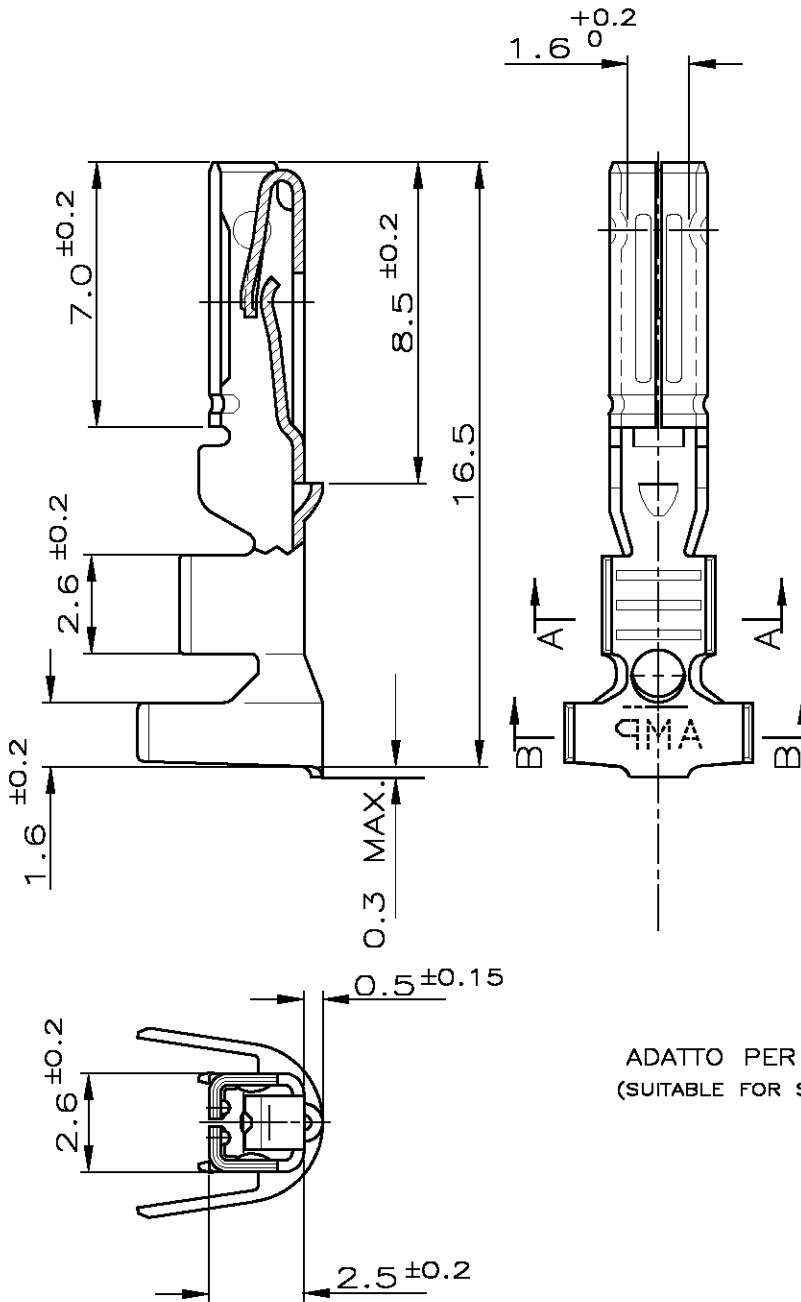


METRIC

LOC	DIST	REVISIONS					
I	—	P	LTR	DESCRIPTION	DATE	DWN	APVD
		C4		REVISED PER ECR-13-003131	20MAY2013	M.G.	M.G.

THIS DRAWING IS A CONTROLLED DOCUMENT.



ADATTO PER GOMMINO P/N 281934-...
(SUITABLE FOR SINGLE WIRE SEAL P/N 281934-...)

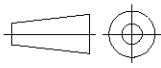
DIAM. ISOLANTE (INS. DIA. RANGE) VED. NOTA	RANGO FILO (WIRE RANGE) 0.75-1.5mm ²
--	---

CUSTOMER DWG. FOR REFERENCE ONLY	PRE-STAGNATO (PRE-TINNED)	BRONZO FOSFOROSO (PH.BRONZE)	(RICAVATO DA 282110-1) (MADE FROM 282110-1) 183025-1
	FINITURA / COLORE (FINISH / COLOUR)	MATERIALE (MATERIAL)	NUMERO (PART NUMBER)

DIMENSIONS:	
mm	
TOLERANCES UNLESS OTHERWISE SPECIFIED:	
0 PLC	± -
1 PLC	± 0.3
2 PLC	± -
3 PLC	± -
4 PLC	± -
ANGLES	± 2°

DWN	Bassano	9 NOV.90
CHK	Bertini	9 NOV.90
APVD	-	-
PRODUCT SPEC	-	-
APPLICATION SPEC	-	-
WEIGHT	-	-

MATERIAL		FINISH	
-		-	
(LOOSE PIECE VERSION) MINI MIC SRS REC. CONTACT			
SIZE	CAGE CODE	DRAWING NO	RESTRICTED TO
A4	00779	C-183025	-



CUSTOMER DRAWING	SCALE	SHEET	REV
	5:1	1 OF 1	C4