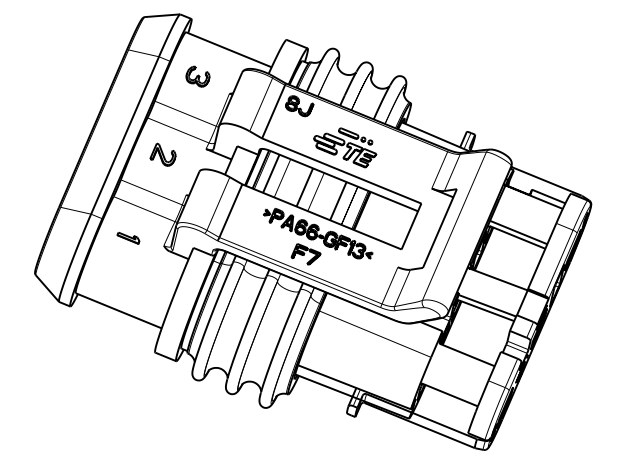
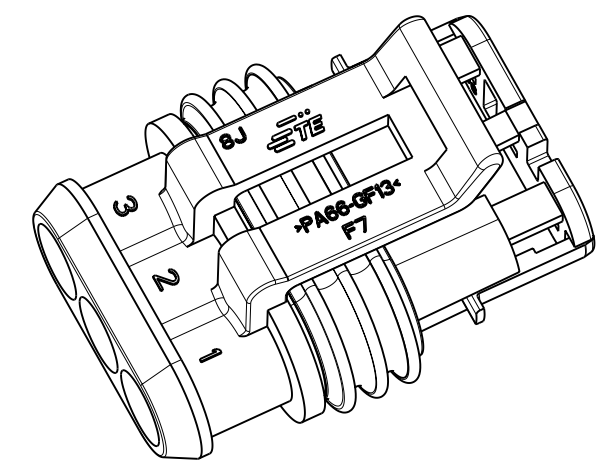
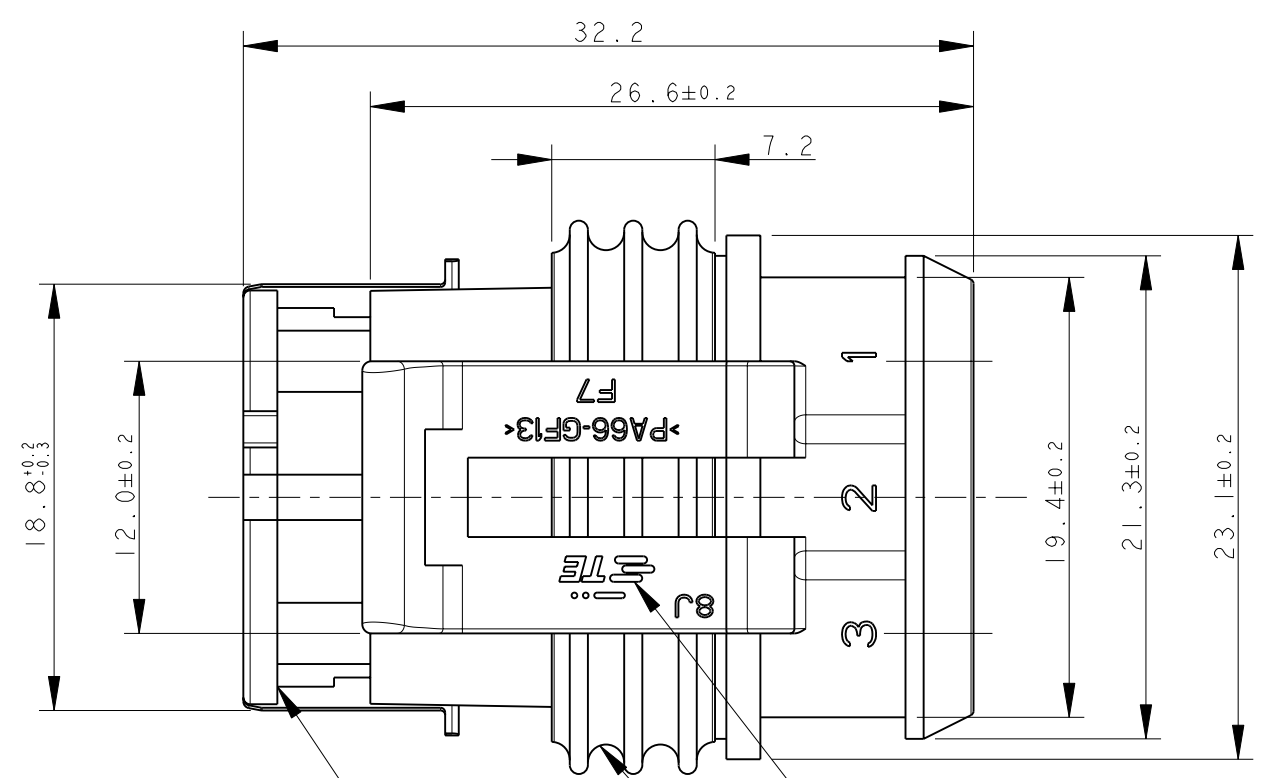
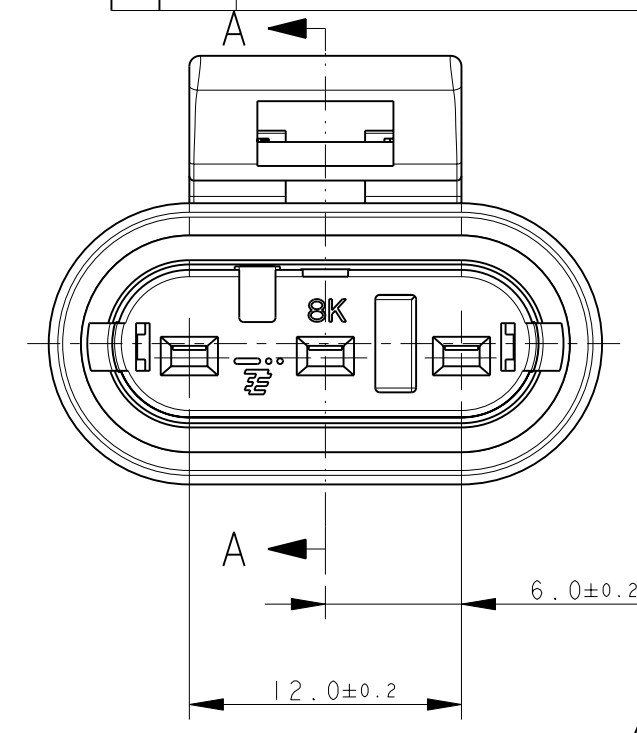
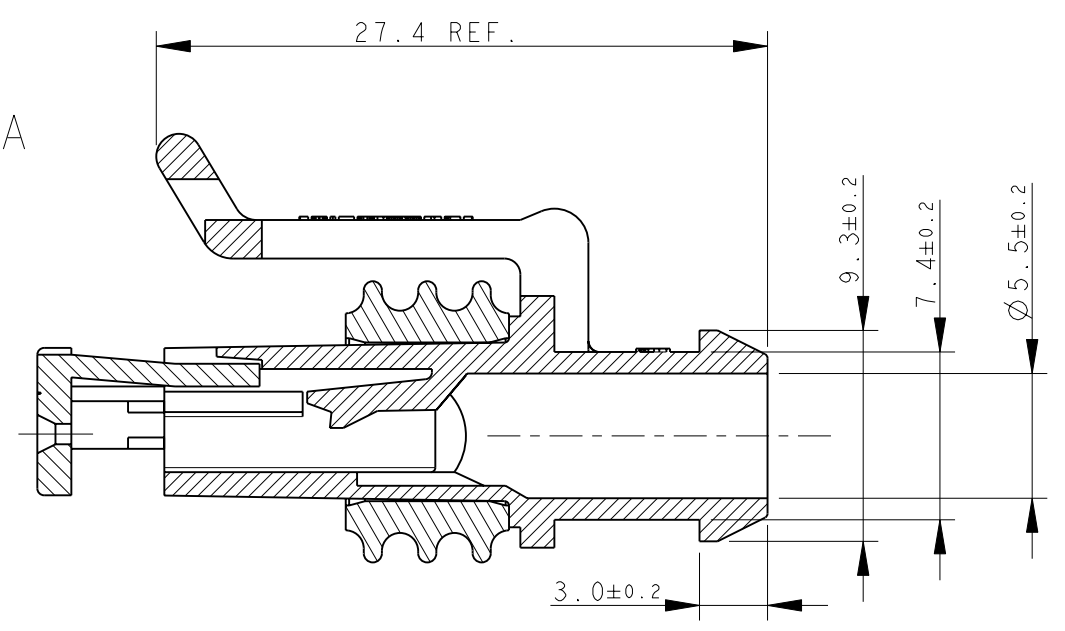


THIS DRAWING IS UNPUBLISHED. RELEASED FOR PUBLICATION 2011
 © COPYRIGHT 2011 ALL RIGHTS RESERVED.

| LOC | DIST | REVISIONS | | | |
|-----|------|-------------|---------------------------|-----------|-----------|
| P | LTR | DESCRIPTION | DATE | DWN | APVD |
| | | B4 | REVISED PER ECO-11-005033 | 02APR2011 | RK HMR |
| | | B5 | REVISED BY ECR-11-024280 | 13DEC2011 | M.F. M.G. |

SECTION A-A



1) FOR COUNTERPART DETAILS, SEE SHEET 2 OF 2

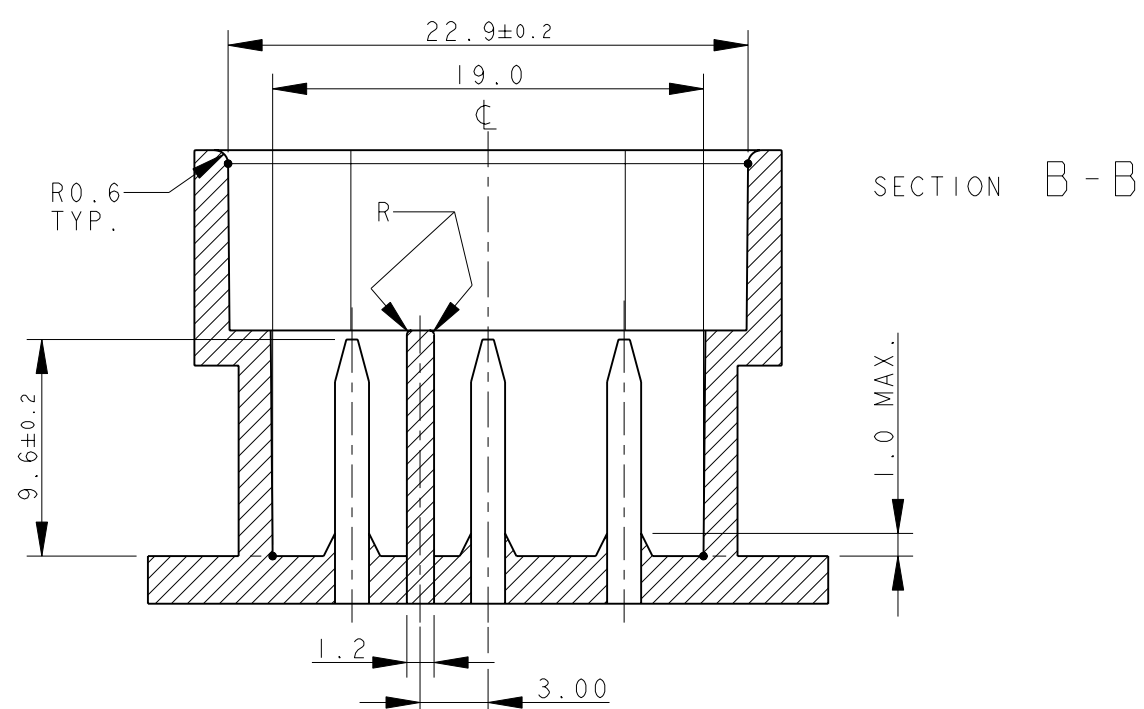
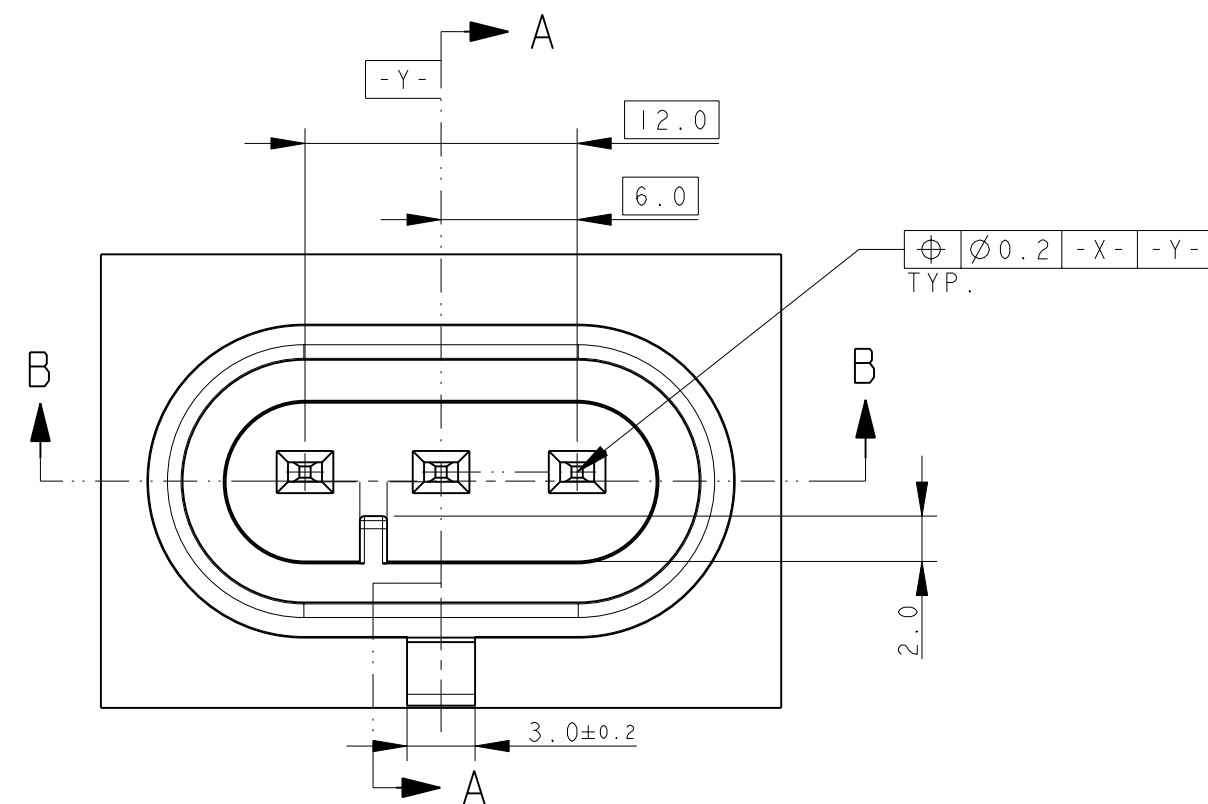
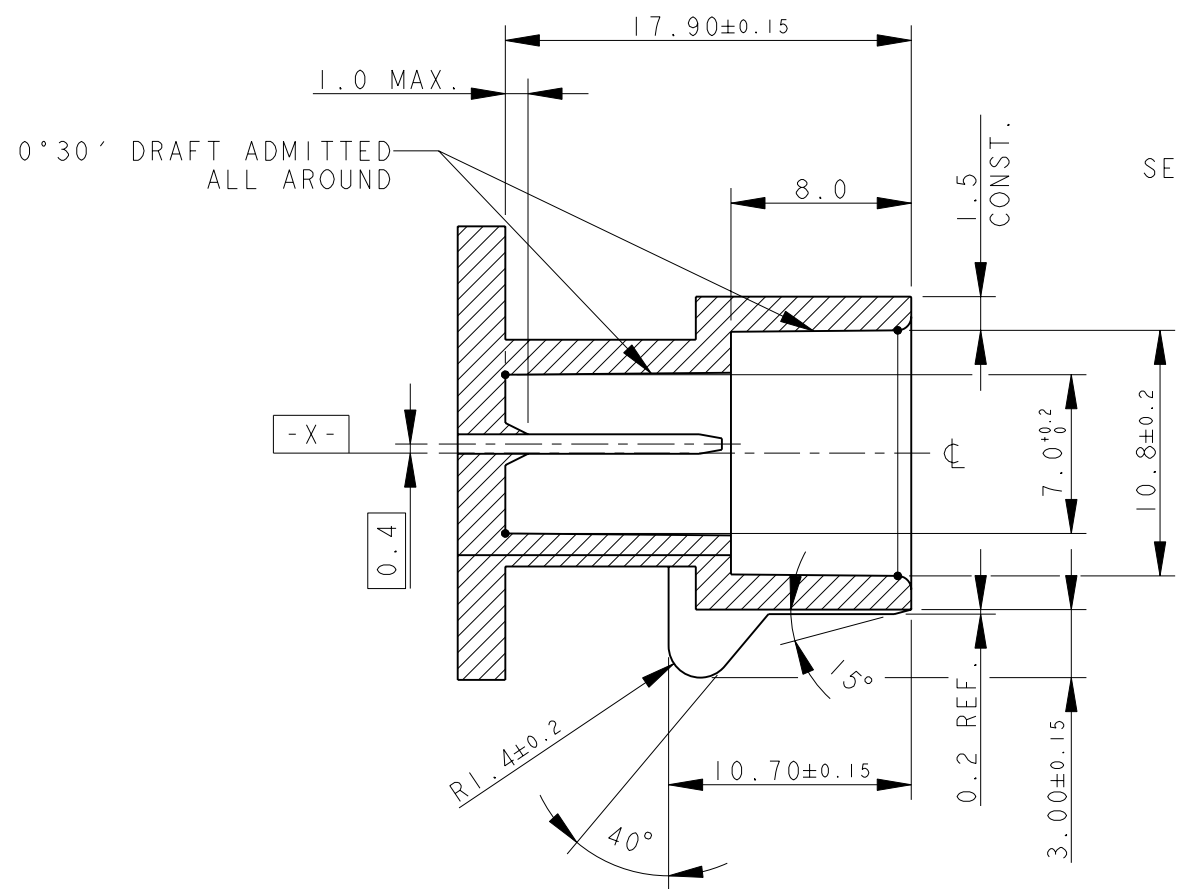
| | | |
|--------------|----------|-------------|
| GRAY | PA66-GF | 282087-2 |
| BLACK | PA66-GF | 282087-1 |
| FINISH/COLOR | MATERIAL | PART NUMBER |

TE CONNECTIVITY TRADE MARK
 (IN ALTERNATIVE: "AMP" LOGO OR "Tyco Electronics" LOGO)
 SEALING (SILICONE RUBBER)
 PRE-ASSEMBLED SECONDARY LOCK (RED COLOR)

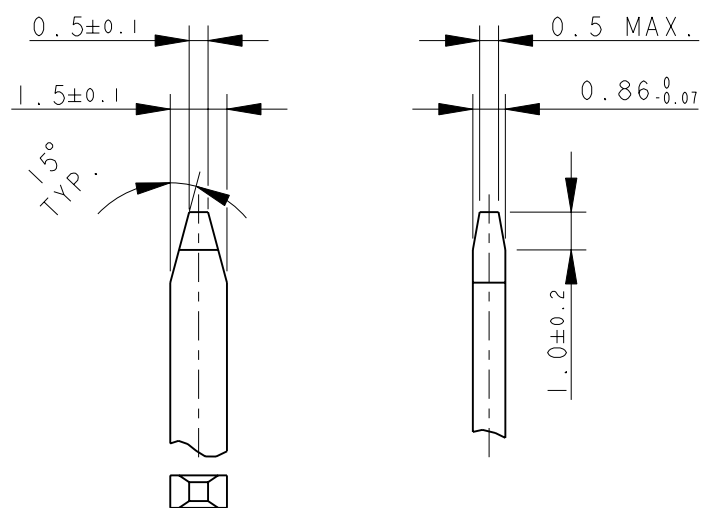
| | | | | | | |
|--|--|----------------------------|--|-----------------|---------------------|-----------------|
| THIS DRAWING IS A CONTROLLED DOCUMENT. | | DWN C. BERTINI 07-1990 | TE Connectivity | | | |
| DIMENSIONS: mm | | CHK A. BRUNI 07-1990 | | | | |
| TOLERANCES UNLESS OTHERWISE SPECIFIED: | | APVD - | NAME | | | |
| 0 PLC ±- | | PRODUCT SPEC 108-20090 | AMP SUPERSEAL 1.5 SRS. 3 POSITIONS PLUG ASS'Y | | | |
| 1 PLC ±0.3 | | APPLICATION SPEC 412-20000 | | | | |
| 2 PLC ±- | | WEIGHT 3.65gr | SIZE A3 | CAGE CODE 00779 | DRAWING NO C-282087 | RESTRICTED TO - |
| 3 PLC ±- | | CUSTOMER DRAWING | | SCALE - | SHEET 1 OF 2 | REV B5 |
| 4 PLC ±- | | | | | | |
| ANGLES ±2° | | | | | | |
| FINISH - | | | | | | |

| LOC | DIST | REVISIONS | | | | | |
|-----|------|-----------|-----|-------------|------|-----|------|
| | | P | LTR | DESCRIPTION | DATE | DWN | APVD |
| 1 | - | | | SEE SHEET 1 | | | |

COUNTERPART DETAILS



TAB DETAILS



MATERIALS: PA66-GF FOR HOUSING
TIN PLATED BRASS FOR TABS

| | | | | | |
|---|--|------------------------------|--|-----------------------|--------------------|
| THIS DRAWING IS A CONTROLLED DOCUMENT. | | DWN C. BERTINI 05-1992 | TE Connectivity | | |
| DIMENSIONS: mm | | CHK A. BRUNI 05-1992 | | | |
| TOLERANCES UNLESS OTHERWISE SPECIFIED: | | APVD - | NAME | | |
| 0 PLC ±0.3 1 PLC ±0.1 2 PLC ±0.05 3 PLC ± 4 PLC ± ANGLES ±2° | | PRODUCT SPEC - | AMP SUPERSEAL 1.5 SRS. 3 POSITIONS PLUG ASS'Y | | |
| MATERIAL | | APPLICATION SPEC - | SIZE A300779 | CAGE CODE C-282087 | RESTRICTED TO - |
| FINISH | | WEIGHT - | SCALE 3:1 | | SHEET 2 OF 2 |
| | | CUSTOMER DRAWING | | REV B5 | |